

# Compact Pressure Switch

## Series 9000

### Features

- ▶ Compact design as compared to Series 8000
- ▶ Long pressure spring (enhanced adjustment)
- ▶ Captive set screw
- ▶ Standard DIN 43650 electrical connector
- ▶ NEMA 4 / IP65

### Applications

- ▶ OEM applications
- ▶ Hydraulic power units
- ▶ Test equipment
- ▶ Heavy industry
- ▶ Mobile and stationary hydraulics
- ▶ Press Equipment



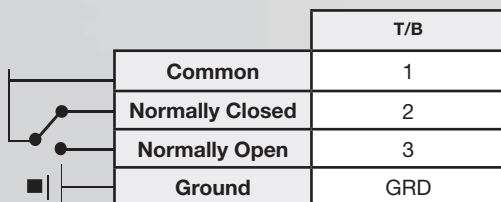
### General Specifications\*

<b>Repeatability:</b>	±2% (typical)
<b>Microswitch:</b> Type: Rating:	SPDT contact Silver contacts: 10A @ 250 VAC 6A @ 24 VDC
<b>Switching Frequency:</b>	Max. 60/min.
<b>Wetted Parts:</b> Dynamic Seal:	Buna-N (NBR) Viton® (FKM) EPDM (EPR)
Fitting: Piston:	Stainless Steel / Aluminum Steel
<b>Electrical Connection:</b>	DIN 43650 (EN 175301-8013-A plug)
<b>Adjustment Ranges:</b>	90 to 5800 psi (6 to 400 bar)
<b>Ambient Temperature Range:</b> Storage: Ambient/Media:	-40 °F to +176 °F (-40 °C to +80 °C) -4 °F to +176 °F (-20 °C to +80 °C)

<b>Enclosure Rating:</b>	IP65 / NEMA 4
<b>Material:</b> Housing:  Electrical plug: Adjustment screw:	Standard: Aluminum Optional: Stainless steel (1.4305) / AISI 303, Version - VA Polyamide Standard: Aluminum Optional: Stainless steel, 1.4305 / AISI 303 (SW5), captive
<b>Process Connection (female):</b>	1/4" NPT; G1/4 7/16 - 20 UNF SAE 4
<b>Adjustment Instructions:</b> Setpoint Adjustment:	Turn adjustment screw clockwise to increase pressure; counterclockwise to decrease pressure.
<b>Weight:</b>	0.39 lbs (175 g)

\* See Product Configurator for additional options.

### Wiring and Connection Diagram



## Barksdale®

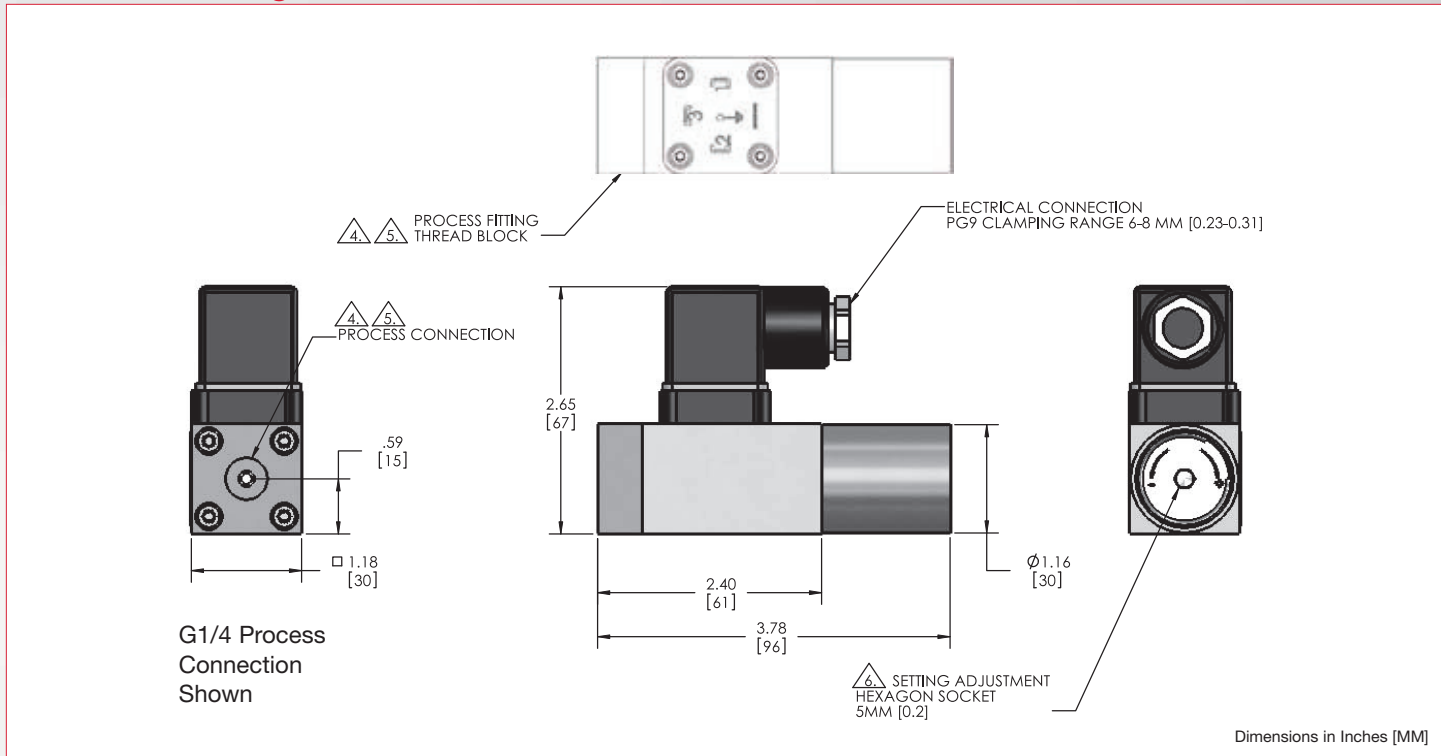
CONTROL PRODUCTS

CRANE Barksdale, Inc./Barksdale GmbH  
A Subsidiary of Crane Co.

# Compact Pressure Switch

**Series 9000**

## Technical Drawing



## Product Configurator

Example	9	A	A	1	T	V		
---------	---	---	---	---	---	---	--	--

### Series

\* Highlighted options represent those most frequently used. Select these common options for improved availability. (5/21)

**9** Series 9000

### Process Connection

2	G1/4" female
3	G1/4" IG DIN ISO 228-1 with 2 mounting wholes (Ø 5,5mm / 20mm distance)
<b>A</b>	1/4" NPT female
E	7/16-20 UNF (SAE-4) female

### Pressure Range

Range	Adjustable Range		Max. Hysteresis at full range max %	Max. Operating Pressure psi (bar)	Proof Pressure psi (bar)
	Decreasing Press. psi (bar)	Increasing Press. psi (bar)			
A	90 - 630 (6 - 44)	145 - 725 (10 - 50)	10%	3620 (250)	4350 (300)
B	220 - 2680 (15-185)	290 - 2900 (20 - 200)		3620 (250)	4350 (300)
<b>C</b>	510 - 5220 (35 - 360)	580 - 5800 (40 - 400)		7250 (500)	8700 (600)

### SPDT Contact

**1** Silver

### Electrical Connection

<b>T</b>	DIN 43650, IP65 (formerly PL1)
B	DIN 43650 without mating plug, IP65

### Accessories

/N	DIN 43650 type A connector with molded cable, 6.56 feet (2 meters)
/O	DIN 43650 type A connector with molded cable, 16.40 feet (5 meters)

### Options

XXXXR*	Factory setpoint rising (standard)
XXXXF*	Factory setpoint falling

\*Example: if setpoint is 2000 rising, order 2000R  
If setpoint is 500 falling, order 0500F

### Seals

B	BUNA-N (NBR)
<b>V</b>	Viton® (FKM)
E	EPDM (EPR)



**SCATTERGOOD  
& JOHNSON LTD**  
ELECTRICAL ENGINEERING & FLUID CONTROL DISTRIBUTORS

Est.1899

At Scattergood & Johnson Ltd, we pride ourselves on being a technical distributor to specialist industries.

Working with a range of quality product manufacturers across a number of specialist markets, we are not your average 'box shifter' - we are your technical and supply chain partner.

We fully support every product we sell - for free! Our internal team and external sales engineers can answer any product or application question, no matter the complexity.

Backing up this technical ability is a range of 50,000+ products available from stock for nationwide next day delivery (same day if required!), or you can collect what you need from any of our trade counters around the UK.

Select your specialist interest below to learn more about how we can help.



Online, In Branch and On the Road - Scattergood & Johnson Ltd, there when you need us.

**[www.scatts.co.uk](http://www.scatts.co.uk)**