

Pressure

Electronic Dual Differential Pressure Switch

BDS3000

Features

- ▶ Measuring range: differential: 0 - 500 psid
- ▶ Enclosure Rating: Type 4X (IP65) / Type 6 (IP67)
- ▶ Two switch points
- ▶ 0.50% accuracy
- ▶ Analog output 4 - 20 mA or 0 - 10 V
- ▶ Superior EMI protection
- ▶ Display & electronic connection: rotatable by 320°
- ▶ Simple navigation menu
- ▶ IO-Link digital communication interface
- ▶ Hydraulic and pneumatic compatible

Applications

- ▶ Filtration
- ▶ Machine tool industry
- ▶ Factory Automation
- ▶ Lubrication monitoring
- ▶ Pumps and compressors



General Specifications

Sensor element:	Piezoresistive sensor
Materials: Wetted parts:	Stainless steel fittings 316L Stainless steel sensors
Enclosure:	304 Stainless steel, PBT
Seals:	FKM fluoroelastomer
Operating elements:	3 easy-response push-buttons
Enclosure rating:	Type 4X (IP65) / Type 6 (IP67)
Protection class:	III
Electrical connection:	Plug M12 x 1, 5-pin
Process connection:	1/4" NPT female (low and high sides)
Dimensions:	3.00 x 1.60 x 4.81 inches
Weight:	Approx. 1.5 lb
A/D-Converter: Resolution: Scanning rate:	12 bit (4,096 steps per measure span) 1000/s
Linearity error:	< ±0.5 % f. s. at +25 °C
Temperature influence:	TC zero < ±0.2 % FSO / 10K TC span < ±0.3 % FSO / 10K
Compensation range:	32°F to 122°F (0°C to +50°C)
Repeatability:	±0.1% f. s.
Temperature range: Media: Electronics: Storage:	-13°F to 212°F (-25°C to +100°C) 14°F to 158°F (-10°C to +70°C) -22°F to 176°F (-30°C to +80°C)
Power supply¹:	15 to 32 V DC, reversed polarity protected (SELV, PELV), Class 2
Power consumption:	Approx. 50 mA (without load)
Digital display: Display rate:	4-digit 14-segment LED red display, digit height .35 inches (9 mm) 20/s
Error display:	LED RED and alphanumeric display

Analog output: Current output: Scanning rate: Voltage output: Rating: Adjustment range:	4-20 mA 2 ms 0 to 10 V DC max. 10 mA 25% to 100% f. s.
Transistor switching outputs:	
Switching function: Switching output: Adjustment range for switching point and hysteresis: Switching frequency: Load: Delay: Status display(s):	Normally open / normally closed, standard / window mode and diagnosis function adjustable PNP / NPN (field selectable on IO-Link units) 0% to 125% f. s. Max. 100 Hz Max. 500 mA (250 mA IO-Link units), short-circuit-proof 0.0 s to 50.0 s adjustable LED(s) red
IO-Link Communication Interface	
Transmission type:	COM2 (38.4 kBaud)
IO-Link revision:	1.1
SDCI standard:	IEC 61131-9
Profiles:	Smart Sensor, Process Data Variable, Device Identification, Device Diagnosis
SIO modules:	Yes
Required master port type:	A
SIO output:	1 analog / 2 binary (switch points) [see product configurator]
Min. process cycle time [ms]: Device ID:	2.5 0x071...

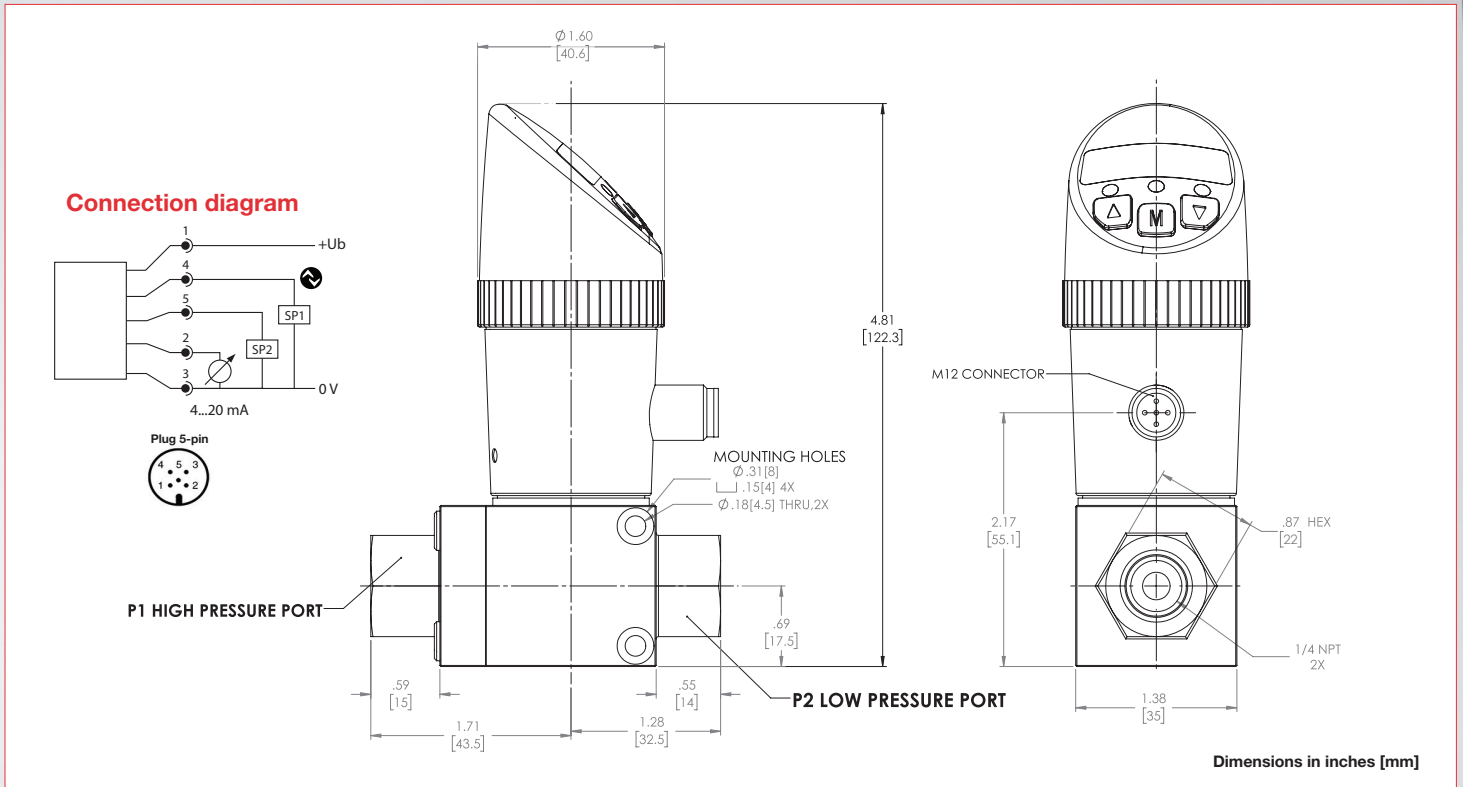
Pressure Ranges

Pressure Range Code	Differential Pressure	Proof Pressure	Proof Pressure	Common Pressure
	P1>P2 (PSID)	P1>P2 (PSID)	P2>P1 (PSID)	P1=P2 (PSI)
0015P	0-15	30	15	2500
0100P	0-100	200	100	2500
0500P	0-500	1000	150	2500

Electronic Dual Differential Pressure Switch

BDS3000

Technical Drawings



Product Configurator

Example **BDS3** **4** **F** **V** **M** **0500P**

* Highlighted options represent those most frequently used. Select these common options for improved availability. (5/21)

Series:

BDS3 Series BDS3000, electronic dual differential pressure switch

Output:

4 Dual switch point plus 4-20mA (0-10V field selectable)

8 IO-Link / Dual switch point plus 4-20mA (0-10 field selectable)

Process Connections:

F 1/4" NPT female

Electrical Connection:

M¹ M12

Sealing:

V FKM fluoroelastomer

Pressure Ranges²

0015P	0 - 15 psid (differential)
0100P	0 - 100 psid (differential)
0500P	0 - 500 psid (differential)

Accessories

Order Number	Description
239546-1M-R-S ³	5 Pin M12 Female Right Angle Plug Molded Cable, 3.28 Feet (1 Meter), Shielded
239546-1M-S ³	5 Pin M12, Female Straight Plug Molded Cable, 3.28 Feet (1 Meter), Shielded
239548-S	5 Pin M12 Female Straight Connector
239548-R	5 Pin M12 Female Right Angle Connector

Note:

- Mating connector not included with unit; mating connectors are available and can be ordered as an accessory.
- Contact factory for ranges not listed including BAR.
- See Cable Connectors & Accessories for more options.



**SCATTERGOOD
& JOHNSON LTD**
ELECTRICAL ENGINEERING & FLUID CONTROL DISTRIBUTORS

Est.1899

At Scattergood & Johnson Ltd, we pride ourselves on being a technical distributor to specialist industries.

Working with a range of quality product manufacturers across a number of specialist markets, we are not your average 'box shifter' - we are your technical and supply chain partner.

We fully support every product we sell - for free! Our internal team and external sales engineers can answer any product or application question, no matter the complexity.

Backing up this technical ability is a range of 50,000+ products available from stock for nationwide next day delivery (same day if required!), or you can collect what you need from any of our trade counters around the UK.

Select your specialist interest below to learn more about how we can help.



Online, In Branch and On the Road - Scattergood & Johnson Ltd, there when you need us.

www.scatts.co.uk