

Flow Switches

BFS-10-N / BFS-10-O

for monitoring liquids,
with or without optical display

Features

set point continuously adjustable
rugged, low hysteresis, any mounting position,
high accuracy and functional safety,
ship approvals available for N-versions

Measuring ranges

0,005...0,06 l/min to 60...150 l/min for water

Applications

Measuring and monitoring of liquids,
e. g. in cooling systems, test beds, pumps etc.



Technical Data

BFS-10-N (without indication)					
Measuring principle:	variable aera flow meter				
Materials: Var. aera flow meter:	brass version	stainless steel vers.			
	brass	1.4571			
	Spring:	1.4571	1.4571		
	Fitting:	brass, nickel-plated	1.4571		
Housing:	brass, nickel-plated		1.4571		
Magnets:	ferrite		ferrite		
Operating pressure:	brass	MS GL	SS	Pressure drop	
	BFS-10-N G1/4:	300 bar	100 bar	350 bar	0,02...0,2 bar
	BFS-10-N G1/2:	300 bar	100 bar	350 bar	0,02...0,3 bar
	BFS-10-N G1:	250 bar	100 bar	300 bar	0,02...0,4 bar
Operating temp.:	100 °C (standard), 160 °C (option HT)				
Accuracy:	±10% f. s.				
Electrical connection:	plug acc. to DIN EN 175301-803 (DIN 43650C)				
Contact rating:	BFS-10-N G1/4		200 V / 1 A / 20 VA		
	BFS-10-N G1/2		230 V / 3 A / 60 VA		
	BFS-10-N G1		250 V / 1,5 A / 50 VA		
Protection class:	IP65 (plug acc. to DIN EN 175301-803 formaly DIN 43650C)		(NO)		
	IP67 (with moulded cable)		(SPDT)		
			(NO)		
Approvals:	e.g. ATEX, GL, BV,... see www.barksdale.de				

Switch ranges

(water in l/min)

BFS-10-N G1/4:	BFS-10-N G1/2:	BFS-10-N G1:
0,005...0,06	0,02...0,2	10...30
0,04...0,13	0,2...0,6	15...45
0,1...0,6	0,4...1,8	20...60
0,2...1,2	0,8...3,2	30...90
0,4...2,0	2,0...7,0	60...150
0,5...3,0	3,0...13	
1,0...5,0	4,0...20	
	8,0...30	

Technical Data

BFS-10-O (with optical indication)				
Measuring principle:	variable aera flow meter			
Materials: Var. aera flow meter:	brass version	stainless steel vers.		
	brass	1.4571		
	Spring:	1.4571	1.4571	
	Fitting:	brass, nickel-plated	1.4571	
Display Housing:	alumin., anodized		alumin., anodized	
Glass:	Duran 50		Duran 50	
Magnets:	ferrite		ferrite	
Operating pressure:	brass	SS	Pressure drop	
	BFS-10-O G1/4:	16 bar	16 bar	0,02...0,2 bar
	BFS-10-O G1/2:	16 bar	16 bar	0,02...0,3 bar
	BFS-10-O G1:	10 bar	10 bar	0,02...0,4 bar
Operating temp.:	100 °C (standard), 160 °C (option HT)			
Accuracy:	±10% f. s.			
Electrical connection:	plug acc. to DIN EN 175301-803 (formaly DIN 43650C)			
Contact rating:	BFS-10-O G1/4		200 V / 1 A / 20 VA	
	BFS-10-O G1/2		230 V / 3 A / 60 VA	
	BFS-10-O G1		250 V / 1,5 A / 50 VA	
Protection class:	IP65 (plug acc. to DIN EN 175301-803 formaly DIN 43650C)		(NO)	
	IP67 (with moulded cable)		(SPDT)	
			(NO)	
Approvals:	e.g. ATEX, see www.barksdale.de			

Switch ranges

(water in l/min)

BFS-10-O G1/4:	BFS-10-O G1/2:		BFS-10-O G1:
0,005...0,06	0,2...0,5	8,0...20	8,0...30
0,025...0,13	0,3...1,0	9,5...24	15...45
0,1...0,6	0,7...2,0	12...28	30...90
0,2...1,2	1,6...4,0		60...150
0,4...2,0	3,0...8,0		
0,5...3,0	4,5...12		
1,0...5,0	6,0...15		

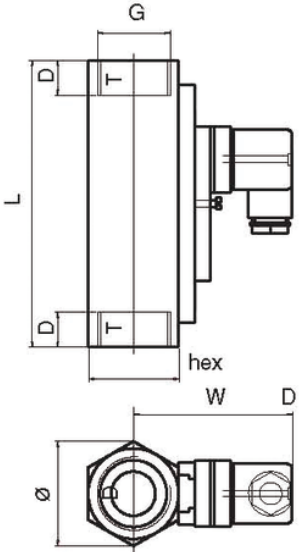
Flow Switches

BFS-10-N / BFS-10-O

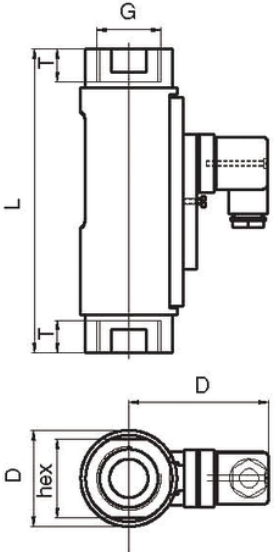
Dimensions (mm / inch)

Dimensions (in mm)

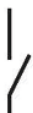

BFS-10-N



BFS-10-O



Wiring diagram

(NO)	(SPDT)
2	3 2
	
1	1

	G 1/4	G 1/2	G 1
(G)	17	27	41
(hex)	17	31	47
(Ø)	47	52	76
(W)	10	14	17
(D)	65	90	130
(L)	140	350	1050
Weight (g)			

	G 1/4	G 1/2	G 1
(G)	17	27	41
(hex)	20	32	50
(Ø)	49	53	77
(W)	10	14	17
(D)	90	114	158
(L)	140	300	900
Weight (g)			

Order Numbers

BFS-10-N	BFS-10-O
Brass	Brass
0711-256 BFS-10-N-G1/4-MS-NO-ST	0711-250 BFS-10-O-G1/4-MS-NO-ST
0711-338 BFS-10-N-G1/4-MS-WE-ST	0711-332 BFS-10-O-G1/4-MS-WE-ST
0711-257 BFS-10-N-G1/2-MS-NO-ST	0711-347 BFS-10-O-G1/2-MS-NO-ST
0711-339 BFS-10-N-G1/2-MS-WE-ST	0711-348 BFS-10-O-G1/2-MS-WE-ST
0711-258 BFS-10-N-G1-MS-NO-ST	0711-252 BFS-10-O-G1-MS-NO-ST
0711-340 BFS-10-N-G1-MS-WE-ST	0711-334 BFS-10-O-G1-MS-WE-ST
Stainless Steel	Stainless Steel
0711-259 BFS-10-N-G1/4-SS-NO-ST	0711-253 BFS-10-O-G1/4-SS-NO-ST
0711-341 BFS-10-N-G1/4-SS-WE-ST	0711-335 BFS-10-O-G1/4-SS-WE-ST
0711-260 BFS-10-N-G1/2-SS-NO-ST	0711-349 BFS-10-O-G1/2-SS-NO-ST
0711-342 BFS-10-N-G1/2-SS-WE-ST	0711-350 BFS-10-O-G1/2-SS-WE-ST
0711-261 BFS-10-N-G1-SS-NO-ST	0711-255 BFS-10-O-G1-SS-NO-ST
0711-343 BFS-10-N-G1-SS-WE-ST	0711-337 BFS-10-O-G1-SS-WE-ST

Order number example: Order number + switching range = 0711-339, 2,0...7,0 l/min

Description

NO = normally open	O = with indication	MS = brass	Please specify switching range (see table on page previous) additional to order number.
WE = change-over	N = without indication	SS = stainless steel	



**SCATTERGOOD
& JOHNSON LTD**
ELECTRICAL ENGINEERING & FLUID CONTROL DISTRIBUTORS

Est.1899

At Scattergood & Johnson Ltd, we pride ourselves on being a technical distributor to specialist industries.

Working with a range of quality product manufacturers across a number of specialist markets, we are not your average 'box shifter' - we are your technical and supply chain partner.

We fully support every product we sell - for free! Our internal team and external sales engineers can answer any product or application question, no matter the complexity.

Backing up this technical ability is a range of 50,000+ products available from stock for nationwide next day delivery (same day if required!), or you can collect what you need from any of our trade counters around the UK.

Select your specialist interest below to learn more about how we can help.



Online, In Branch and On the Road - Scattergood & Johnson Ltd, there when you need us.

www.scatts.co.uk