

Temperature

Electronic Dual Temperature Switch

BTS3000

Features

- ▶ Measuring range: -22° to +284°F (-30° to +140°C)
- ▶ One or two switch points
- ▶ Analog output 4 - 20 mA
- ▶ Display & electronic connection: rotatable by 320°
- ▶ Simple navigation menu
- ▶ Superior EMI protection
- ▶ 0.50% accuracy
- ▶ IO-Link communication interface
- ▶ Enclosure Rating: Type 4X (IP65) / Type 6 (IP67)

Applications

- ▶ Machine tool industry
- ▶ Hydraulic & pneumatic systems
- ▶ Injection molding machines
- ▶ Cooling monitoring / circuits
- ▶ Lubrication systems
- ▶ Construction machinery
- ▶ Automobile industry



General Specifications*

Sensor element:	PT100 Class A DIN/IEC 60751	Analog output:	4-20 mA
Materials:		Current output:	2 ms
Wetted parts:	304 Stainless steel	Scanning rate:	25% to 100% f. s.
Enclosure:	304 Stainless steel / PBT, PA6.6 GF30	Adjustment range:	
Seals:	FKM fluoroelastomer (standard) EPDM (optional)	Transistor switching outputs:	
Operating elements:	3 easy-response push-buttons	Switching function:	Normally open / normally closed, standard /window mode and diagnosis function adjustable
Enclosure rating:	Type 4X (IP65) / Type 6 (IP67)	Switching output:	PNP / (NPN field-selectable on IO-Link units)
Protection class:	III	Adjustment range for switching point and hysteresis:	0% to 125% f. s.
Electrical connection:	Plug M12 x 1, 4-pin / 5-pin / 8-pin	Switching frequency:	Max. 100 Hz
Process connection:	1/4" NPT Male, 1/2" NPT Male, 7/16-20 UNF (SAE-4) Male, G1/4" Male	Load:	Max. 500mA, short-circuit-proof IO-Link: Max. 250mA
Dimensions Enclosure:	1.6 Ø x 4.4 inches (without plug connector and sensor)	Delay:	0.0 s to 50.0 s adjustable
Weight:	Approx. 0.4 lb (200 g)	Status display(s):	LED(s) red
Measuring ranges:	-22°F to +284°F (-30°C to +140°C)	IO-Link Communication Interface:	
Max. pressure:	2,900 psi (200 bar)	Transmission type:	COM2 (38.4 kBaud)
A/D-Converter:		IO-Link revision:	1.1
Resolution:	12 bit (4,096 steps per measure span)	SDCI standard:	IEC 61131-9
Scanning rate:	1000/s	Profiles:	Smart Sensor, Process Data Variable, Device Identification, Device Diagnosis
Time Constant:	Approx. 40 s	SIO modules:	Yes
Accuracy:	< ±0.5 % f. s. at +25 °C	Required master port type:	A
Repeatability:	±0.1% f. s.	SIO output:	1 analog / 2 binary (switch points) [see product configurator]
Temperature range:		Min. process cycle time [ms]:	2.5
Electronics:	14°F to 140°F (-10°C to +60°C)	Device ID:	0x011...
Storage:	-22°F to 176°F (-30°C to +80°C)	Approvals:	cULus*** - E302981
Power supply:	15 to 28 V DC, reversed polarity protected (SELV, PELV) Class 2	EMI	
Digital display:	4-digit 14-segment LED red display, digit height .35 inches (9 mm)	EN 61000-4-2 ESD	4 kV CD / 8 kV AD
Display rate:	20/s	EN 61000-4-3 HF radiated	10 V/m
Error display:	LED RED and alphanumeric display	EN 61000-4-4 Burst	2 kV
Power consumption:	Approx. 50 mA (without load) Approx. 80 mA (Output Code 6)	EN 61000-4-5-Surge	1/2 kV
Relay output (option 6):	Relay 1 NC Relay 2 NO Load: max. 1A, max. 60V, max. 30VA	EN 61000-4-6 HF conducted	10 V
		Shock resistance**	DIN EN 60028-2-27
		Vibration resistance**	DIN EN 60028-2-26

** At probe length over 100mm shock & vibration resistance can be influenced by the application

*** 1 - 5 output options only

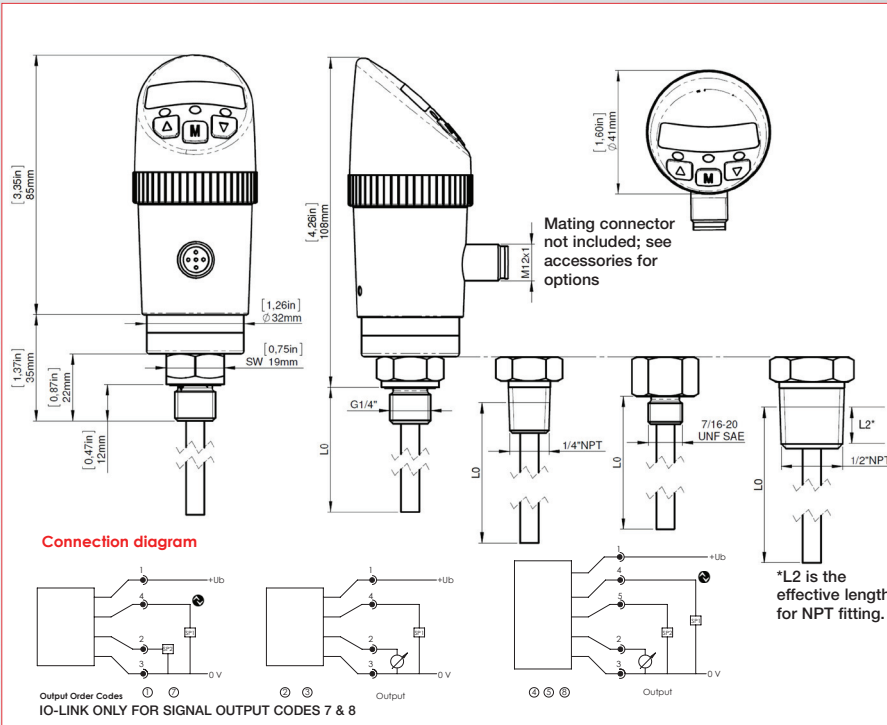
* See product configurator for additional options.

Barksdale®

Electronic Dual Temperature Switch

BTS3000

Technical Drawings



Electrical Connection Chart

Pin	Signal Output Code 1 & 7	Signal Output Code 2 & 3	Signal Output Code 4 & 5 & 8	Signal Output Code 6
1	+Ub	+Ub	+Ub	+Ub
2	SP2	Signal	Signal	SP1a
3	OV	OV	OV	SP1b
4	SP1/IO-Link *	SP1	SP1/IO-Link *	OV
5	-	-	SP2	SP2a
6	-	-	-	SP2b
7	-	-	-	-
8	-	-	-	Housing

* IO-LINK ONLY FOR SIGNAL OUTPUT CODES 7 & 8

Length	1/4" NPT / 1/2" NPT / 7/16-20 UNF (SAE-4)	G1/4"
L0	.7" [17.78 mm]	0.67" [17 mm]
	2" [50.8 mm]	0.98" [25 mm]
	4" [101.6 mm]	1.97" [50 mm]
	6" [152.4 mm]	3.94" [100 mm]
	12" [304.8 mm]	11.80" [300 mm]
		25.59" [650 mm]



Dimensions inches [mm]

Product Configurator

Example **BTS3 8 E V M 2.00Z 1**

Series: **BTS3** Series BTS3000, electronic dual temperature switch

* Highlighted options represent those most frequently used. Select these common options for improved most availability. (5/21)

Output:

1	Dual switch point
2	Single switch point plus 4-20mA (0-10V field selectable)
3	Single switch point plus 0-10V (4-20mA field selectable)
4	Dual switch point plus 4-20mA (0-10V field selectable)
5	Dual switch point plus 0-10V (4-20mA field selectable)
6	Dual switch points (1 x NO SPST / 1 x NC SPST), not UL approved
7	IO-Link / Dual switch point, no UL
8	IO-Link / Dual switch point plus 4-20mA (0-10V field selectable), no UL

Process Connections:

N ⁹	1/4" NPT male thread
3 ^{1,9}	1/2" NPT male thread (Consult factory)
E	7/16-20 UNF (SAE 4)
G	G1/4" male thread
2	G1/2" male thread (Consult factory)

Electrical Connection:

M³ M12

Sealing:

V ²	FKM fluoroelastomer (standard)
E ²	EPDM (EPR) (optional)
X	No seal (Required for units with NPT thread)
F	FFKM (optional) (Consult factory)

Temperature Ranges:

1	0 to 100°C
2	-30 to 140°C
3	32 to 210°F
4	-22 to 280°F

Sensor Length⁴:

0017M ⁵	17 mm probe
0025M ⁵	25 mm probe
0050M ⁵	50 mm probe
0100M ⁵	100 mm probe
0300M ⁵	300 mm probe
0650M ^{5,6}	650 mm probe
0.70Z ^{1,7}	0.7" probe
2.00Z ^{1,7}	2" probe
4.00Z ^{1,7}	4" probe
6.00Z ^{1,7}	6" probe
12.0Z ^{6,7}	12" probe

Accessories

Order Number	Description
239535-1M-R-S ⁸	4 Pin M12 Female Right Angle Plug Molded Cable, 3.28 Feet (1 Meter), Shielded
239535-1M-S ⁸	4 Pin M12 Female Straight Plug Molded Cable, 3.28 Feet (1 Meter), Shielded
239537	4 Pin M12 Female Straight Connector
239236	4 Pin M12 Female Right Angle Connector
239546-1M-R-S ⁸	5 Pin M12 Female Right Angle Molded Cable, 3.28 Feet (1 Meter), Shielded
239546-1M-S ⁸	5 Pin M12, Female Straight Plug Molded Cable, 3.28 Feet (1 Meter), Shielded
239548-S	5 Pin M12 Female Straight Connector
239548-R	5 Pin M12 Female Right Angle Connector
208779 ¹	2" Probe - Brass Thermowell
208779-SS ¹	2" Probe - 316 Stainless Steel Thermowell
208780 ¹	4" Probe - Brass Thermowell
208780-SS ¹	4" Probe - 316 Stainless Steel Thermowell
208781 ¹	6" Probe - Brass Thermowell
208781-SS ¹	6" Probe - 316 Stainless Steel Thermowell

Note:

1. Thermowell option available for 1/2" NPTF only with 2", 4" and 6" probes only; consult factory for details.
2. Available only for G and UNF thread.
3. Mating connector not included with unit; mating connectors are available and can be ordered as an accessory.
4. Custom probe length available; minimum quantities may apply.
5. Available only for G1/4" or G1/2" thread.
6. At probe length over 11.8" (300 mm), the probe must be kept out of the direct path of the flowing media.
7. Available only for NPT and UNF thread.
8. See Cable Connectors & Accessories for more options.
9. Requires sealing code X



**SCATTERGOOD
& JOHNSON LTD**
ELECTRICAL ENGINEERING & FLUID CONTROL DISTRIBUTORS

Est.1899

At Scattergood & Johnson Ltd, we pride ourselves on being a technical distributor to specialist industries.

Working with a range of quality product manufacturers across a number of specialist markets, we are not your average 'box shifter' - we are your technical and supply chain partner.

We fully support every product we sell - for free! Our internal team and external sales engineers can answer any product or application question, no matter the complexity.

Backing up this technical ability is a range of 50,000+ products available from stock for nationwide next day delivery (same day if required!), or you can collect what you need from any of our trade counters around the UK.

Select your specialist interest below to learn more about how we can help.



Online, In Branch and On the Road - Scattergood & Johnson Ltd, there when you need us.

www.scatts.co.uk