

# Electr. Pressure Switch

## UDS3V3

Electronic pressure switch for pressure control with internal stainless steel diaphragm, digital display, 4 switching outputs and 1 analog output, linearity error f. s.

### Features

8-digit 14-segment LCD display with Bargraph and trend indication, microprocessor controlled, self monitoring, all parameters are configured by keypad, display unit selectable, adjustable keypad lock, high accuracy, quick scanning rate (1000/s)

### Measuring ranges

0...1 bar 0...10 bar, absolute pressure  
-1...0 bar to 0...600 bar gauge

### Applications

OEM applications  
hydraulic and pneumatic systems,  
heavy industry and plant engineering,  
automobile industry



### Technical Data

<b>Sensor element:</b>	Piezoresistive silicon measuring cell					
<b>Materials:</b>	Stainless steel, material no. 1.4301					
Wetted parts:	Cast aluminum G AL SI 12					
Electronics housing:	FKM, optionally: EPDM					
Seals:	Polyester					
Keypad:						
<b>Operating elements:</b>	Keypad with easy-response pushbuttons					
<b>System of protection:</b>	IP65					
<b>Protection class:</b>	I					
<b>Process connection:</b>	G1/4 female thread, bottom entry Option: 1/4" NPT female thread					
<b>Dimensions:</b>	100 x 135 x 80 mm (W x H x D)					
<b>Weight:</b>	approx. 1080 g					
<b>Measuring ranges [bar]:</b>	10	50	100	200	400	600
<b>Proof pressure [bar]:</b>	15	75	150	300	600	800
<b>Linearity error:</b>	±0.5 % f. s. at 25 °C					
<b>A/D converter:</b>	12 bit					
Resolution:	(4096 steps per measuring span)					
Scanning rate:	1000 / s					
<b>On-status display:</b>	8-digit 14-segment LCD display, digit height 12 mm, green					
Bargraph:	20-segment for current value					
Trend arrows:	last changes					
Display range:	-9999... 9999					
Display rate:	4 / s					
Display unit:	bar / psi / psi x 10 / hPa / mbar switchable					
<b>Electrical connection:</b>	14-pin screw terminal for 1.5 mm <sup>2</sup> AWG14, plug-in type					
<b>Cable gland:</b>	1 x PG13.5 side entry					

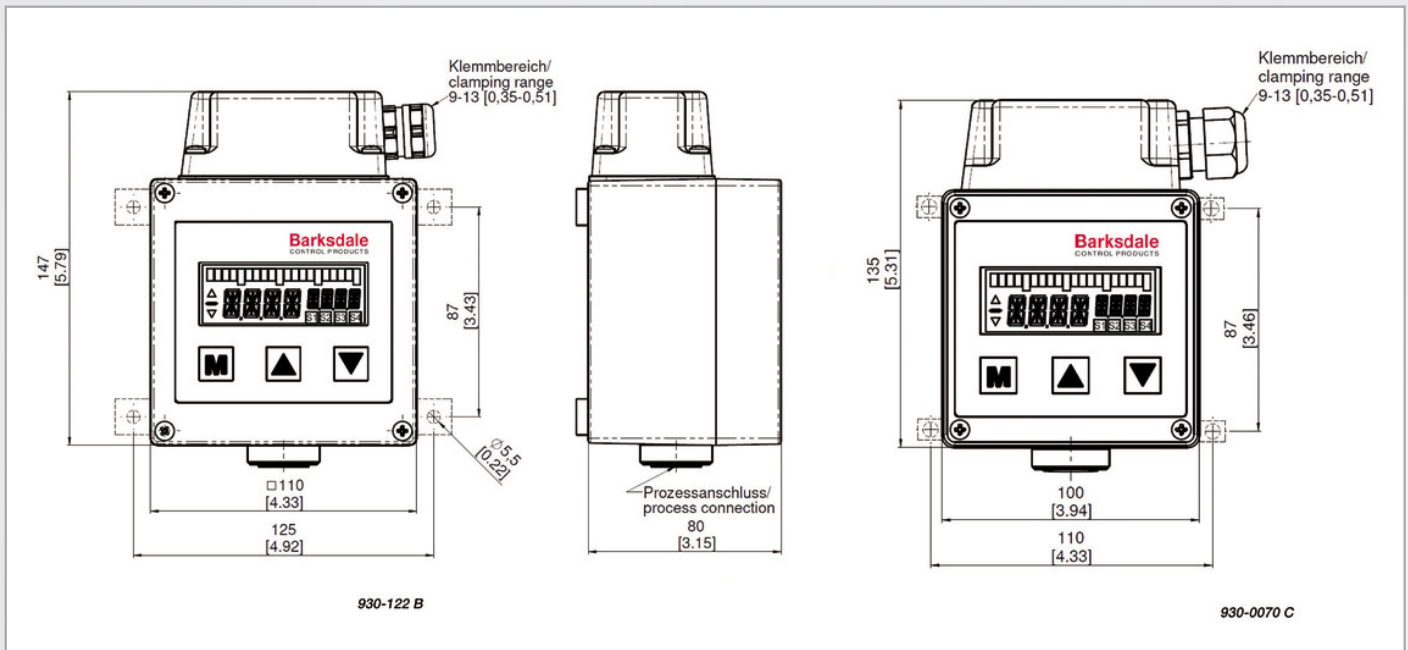
<b>Temperature influence:</b>	±0.2 % v. f. s. / 10K
<b>Compensation range:</b>	-10 °C... +70 °C
<b>Repeatability:</b>	±0.1 % v. f. s.
<b>Temperature range:</b>	
Medium:	-25 °C... +100 °C
Electronics:	-10 °C... +70 °C
Storage:	-30 °C... +80 °C
<b>Power supply:</b>	18... 32 V DC, reversed polarity protected (SELV, PELV)
<b>Power consumption:</b>	approx. 350 mA at Ub = 24 V DC (without load)
<b>Analog output:</b>	
Current output:	4...20 mA
Load:	max. RI = (Ub-12 V) / 20 mA RI = 600 Ohm at Ub = 24 V DC
Load influence:	0.3 % / 100 Ohm
Scanning rate:	1 ms
Voltage output:	0...10 V DC
Rating:	max. 10 mA, short-circuit proof
Adjustment range:	25 %... 100 % f. s.
<b>4x relay output(s) - change-over contacts (SPDT):</b>	
Switching voltage:	max. 120 V DC / 250 V AC
Switching power:	max. 12 W / 1250 VA
Cycles:	1 mio. at 24 V DC / 2 A
Switching rate:	max. 20 / s
Delay:	0.0 s ... 9.9 s adjustable
Operation time:	1 ms
Status display:	S1... S4 on LCD display
<b>Accessories:</b>	Damping screw 0.2 mm; mounting traverse; vibration damper
<b>Approval:</b>	cULus: file no. E42816

# Pressure

## Electr. Pressure Switch

**UDS3V3**

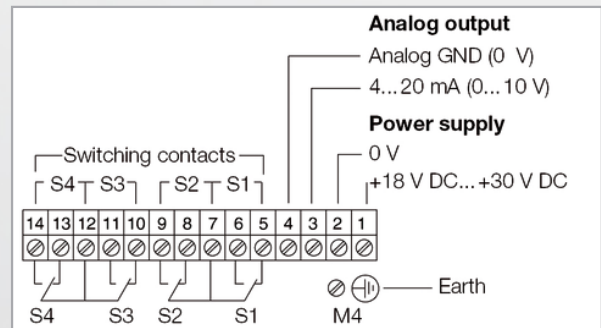
### Dimensions (mm / inch)



### Order Numbers

Pressure switch with digital display and 4 relays, G1/4 female		
Measuring ranges [bar]	Analog Output	Order No.
10	---	0423-129
10	4...20 mA	0423-117
10	0...10 V	0423-118
50	---	0423-130
50	4...20 mA	0423-119
50	0...10 V	0423-120
100	---	0423-131
100	4...20 mA	0423-121
100	0...10 V	0423-122
200	---	0423-132
200	4...20 mA	0423-123
200	0...10 V	0423-124
400	---	0423-133
400	4...20 mA	0423-125
400	0...10 V	0423-126
600	---	0423-134
600	4...20 mA	0423-127
600	0...10 V	0423-128

### Electronic connections



### Accessories

Order Number	Description
901-0677	Damping screw M4 x 0.2, material: brass
903-0681	Mounting traverse (1 set = 2 pcs)
914-0107	Vibration damper (1 pack = 4 pcs)



**SCATTERGOOD  
& JOHNSON LTD**  
ELECTRICAL ENGINEERING & FLUID CONTROL DISTRIBUTORS

Est.1899

At Scattergood & Johnson Ltd, we pride ourselves on being a technical distributor to specialist industries.

Working with a range of quality product manufacturers across a number of specialist markets, we are not your average 'box shifter' - we are your technical and supply chain partner.

We fully support every product we sell - for free! Our internal team and external sales engineers can answer any product or application question, no matter the complexity.

Backing up this technical ability is a range of 50,000+ products available from stock for nationwide next day delivery (same day if required!), or you can collect what you need from any of our trade counters around the UK.

Select your specialist interest below to learn more about how we can help.



Online, In Branch and On the Road - Scattergood & Johnson Ltd, there when you need us.

**[www.scatts.co.uk](http://www.scatts.co.uk)**