

# Technical Data Sheet

## Limit Switches

CDPD225  
Issue 1

### General Description

Craig & Derricott's limit switches are sold under the trade name of 'Miniswitches'. The name is used to suggest that these devices are a scale up from microswitches, and this is indeed the case with all items being of industrial quality and very robust in construction.

The basic modules are available three forms:-

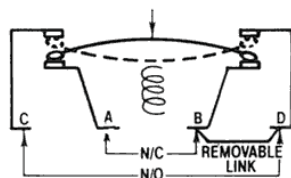
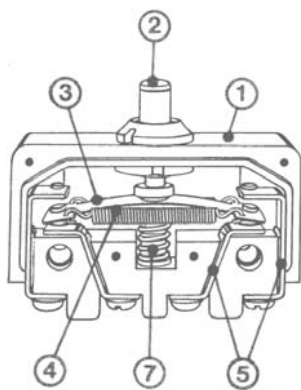
- Single pole snap-action, change-over (4 terminal)
- Double pole snap-action, change-over (8 terminal)
- Single pole, positive break, change-over (4 terminal)

All modules can be supplied in die-cast enclosures incorporating various forms of lever, lever/roller or ball actuator. Many other optional features are also available to special order. If you feel you would like to discuss your specific application, please contact our technical sales team who will be pleased to discuss your requirements.

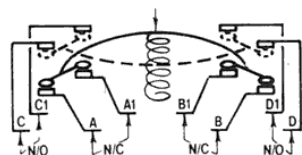
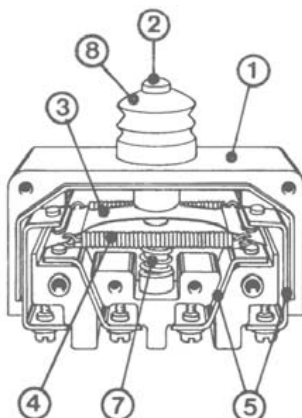
### Basic Construction

1. Black phenolic case moulding
2. Plunger can be moulded or of hardened mild steel. Incorporates overtravel mechanism.
3. Switching blades of beryllium copper with fine silver contact tips.
4. Stainless steel tension springs.
5. Fixed contacts are plated brass with fine silver contact tips.
6. Rigid plated brass contact bridge with fine silver contact tips.
7. Stainless steel moving contact return spring.
8. Silicon bellows (when fitted)

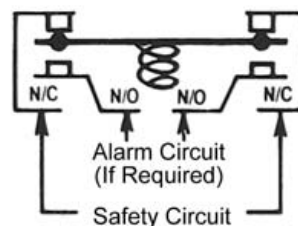
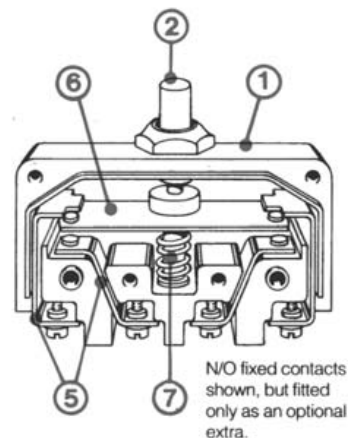
#### Single Pole Snap-Action



#### Double Pole Snap-Action





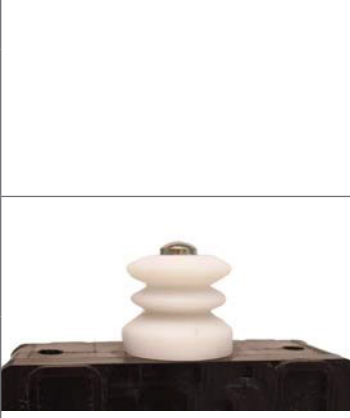
#### Single Pole Positive Break



# Technical Data Sheet

## Limit Switches

CDPD225  
Issue 1


Product Image	Description	Model Type 'A' (No Bellows)			Model Type 'B' (No Bellows)		
		SP Snap Action	DP Snap Action	SP Positive Action	SP Snap Action	DP Snap Action	SP Positive Action
		A	DA	S/A	B	DB	S/B
		A2N	-	-	B2N	-	-
	Plain Lever Matl- Phosphor Bronze Width- 14.5	A1	DA1	S/A1	-	-	-
	Plain Lever (Short) Matl- Phosphor Bronze Width- 14.5	A1/9	DA1/9	-	-	-	-
	Lever/Roller Matl- Phosphor Bronze Lever Mild Steel roller	A2	DA2	S/A2	-	-	-
	Ball Actuator Matl- Ball/ Stainless Steel Housing / Plated Brass	A3	DA3	S/A3	-	-	-
	Plain Lever Matl- Phosphor Bronze Width- 14.5	-	-	-	B1	DB1	S/B1
	Lever/Roller Matl- Phosphor Bronze Lever Mild Steel roller	-	-	-	B2	DB2	S/B2

Add /P to catalogue numbers to add top mounting plate

# Technical Data Sheet

## Limit Switches

CDPD225  
Issue 1

Product Image	Description	Model Type 'C'		Model Type 'D'	
		SP Snap Action	SP Positive Break	SP Snap Action	SP Positive Break
Plunger only		C	S/C	D	S/D
	Plain Lever Matl- Phosphor Bronze Width- 15.5	C1	S/C1	-	-
	Lever/Roller Matl- Phosphor Bronze Lever Mild Steel roller	C2	S/C2	-	--
	Ball Actuator Matl- Ball/ Stainless Steel Housing/ Plated Brass	C3	S/C3	D3	S/D3
	Long Angled Lever Matl- Spring Steel Width- 15.9	-	-	D1/3	S/D1/3
	Cast Lever/Roller Matl- Cast Stainless Steel Arm Plated Steel Roller	-	-	D2/2	S/D2/2

Add /BM to catalogue numbers to add base mounting plate

### Electrical Ratings

BS EN 60947-5 applicable to snap-action and positive break modules

Application	
Thermal Rating I <sub>th</sub>	20A
Switching Capacity- 250V AC15	6A
CTI of body mouldings	>600
Terminal screws	M3.5
Max. cable size	2.5 MM <sup>2</sup>
Ingress Protection (IPxx)	A & B models- IP40 C & D models- IP65*
Mechanical life	Single pole models up to 10 x 10 <sup>6</sup> Double pole models up to 1 x 10 <sup>6</sup>

\* with the exception of ball actuators



Typical OEM product based upon the 'D' range, incorporating gland, sealing bung and pre-wired cable and plug.

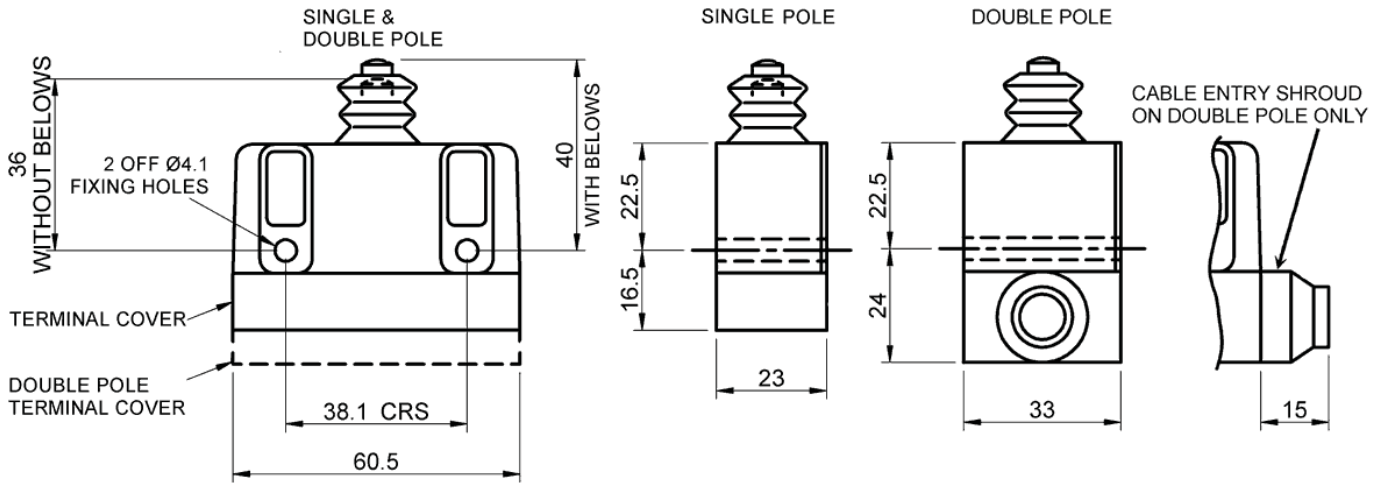
# Technical Data Sheet

## Limit Switches

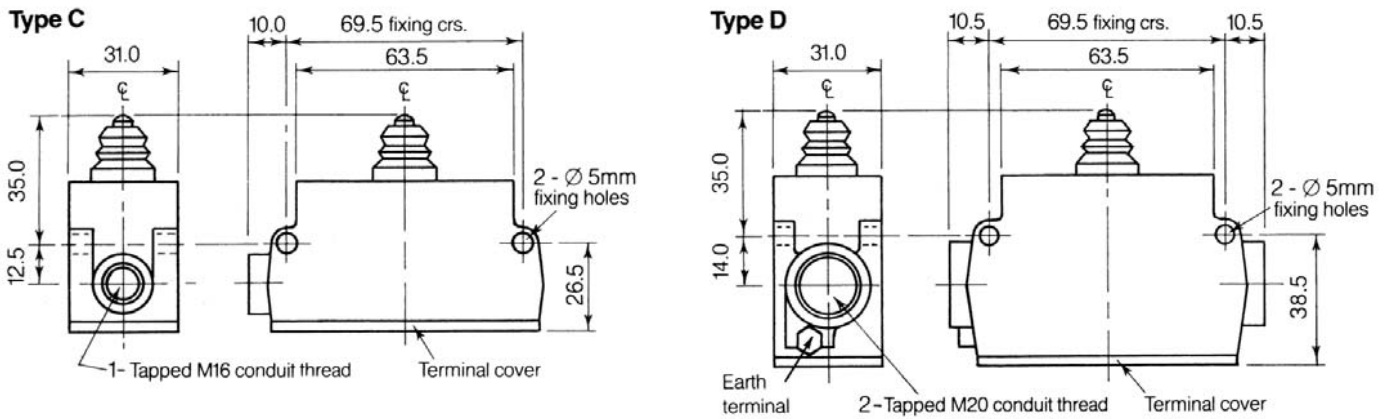
CDPD225  
Issue 1

### Dimensions

Model 'A' Moulded case body- without bellows  
Model 'B' Moulded case body- with bellows



Model 'C' Die-Cast Mazak body- 1 x M16 Conduit entry  
Model 'D' Die-Cast Mazak body- 2 x M20 Conduit entries



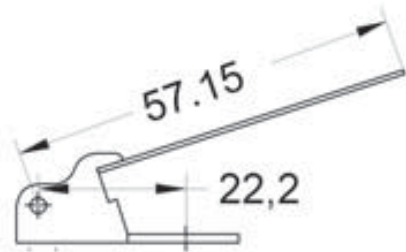
# Technical Data Sheet

## Limit Switches

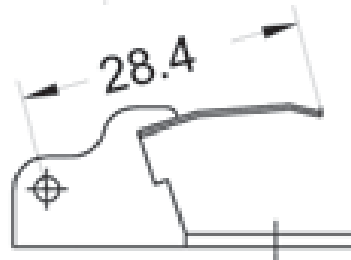
CDPD225  
Issue 1

### Dimensions

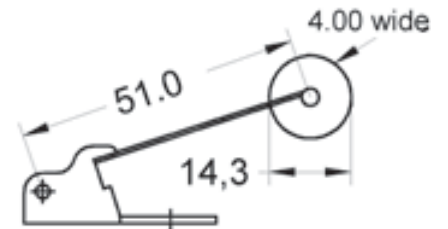
Plain Lever A1



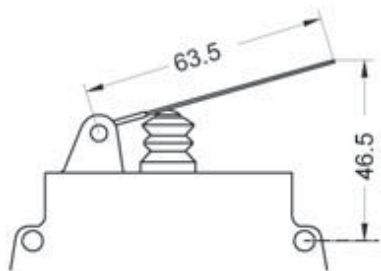
Plain Lever Short A1



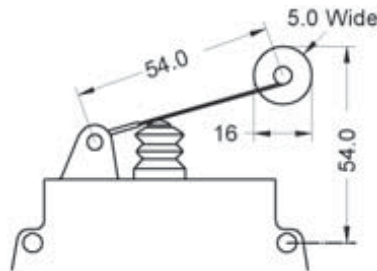
Lever/Roller A2



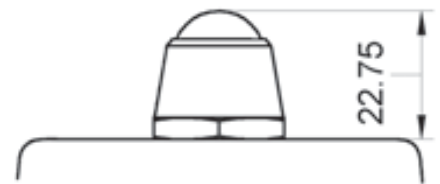
Plain Lever C1



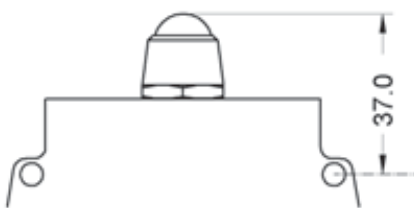
Lever/Roller C2



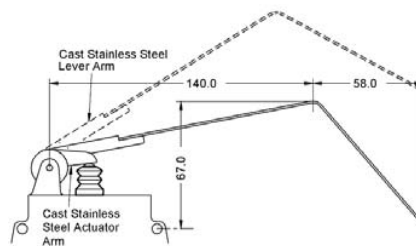
Ball Actuator A3



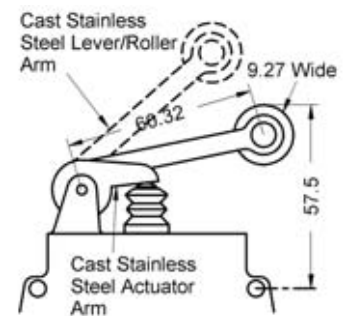
Ball Actuator C3



Long Angled Lever D1-D2



Cast Lever/Roller D2





**SCATTERGOOD  
& JOHNSON LTD**  
ELECTRICAL ENGINEERING & FLUID CONTROL DISTRIBUTORS

Est.1899

At Scattergood & Johnson Ltd, we pride ourselves on being a technical distributor to specialist industries.

Working with a range of quality product manufacturers across a number of specialist markets, we are not your average 'box shifter' - we are your technical and supply chain partner.

We fully support every product we sell - for free! Our internal team and external sales engineers can answer any product or application question, no matter the complexity.

Backing up this technical ability is a range of 50,000+ products available from stock for nationwide next day delivery (same day if required!), or you can collect what you need from any of our trade counters around the UK.

Select your specialist interest below to learn more about how we can help.



Online, In Branch and On the Road - Scattergood & Johnson Ltd, there when you need us.

**[www.scatts.co.uk](http://www.scatts.co.uk)**