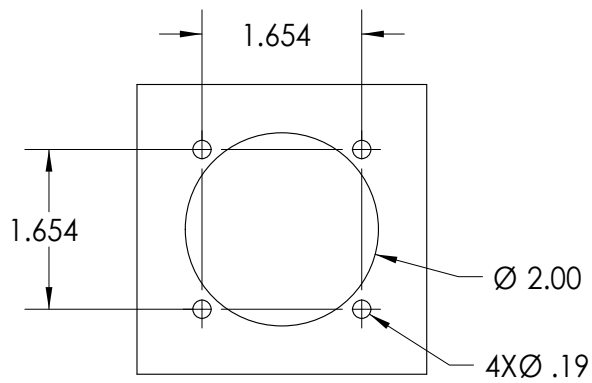
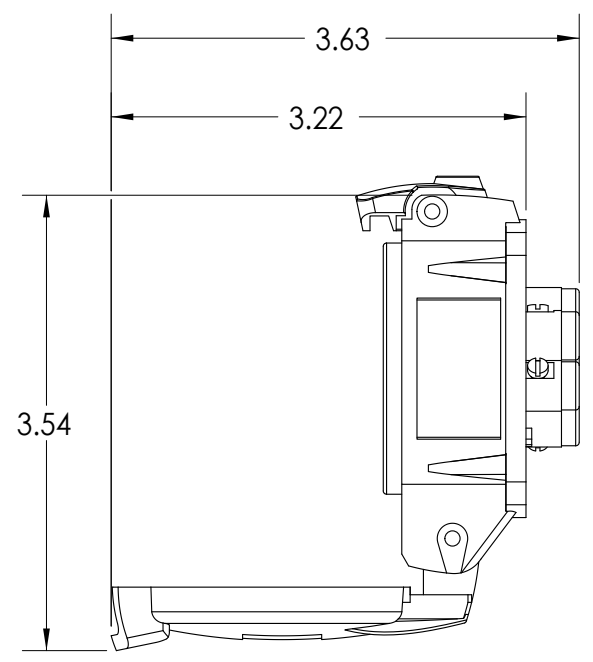
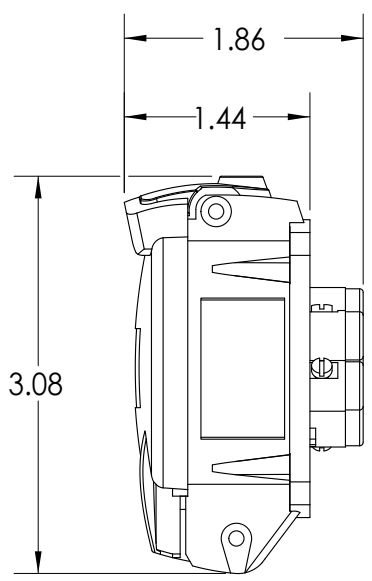
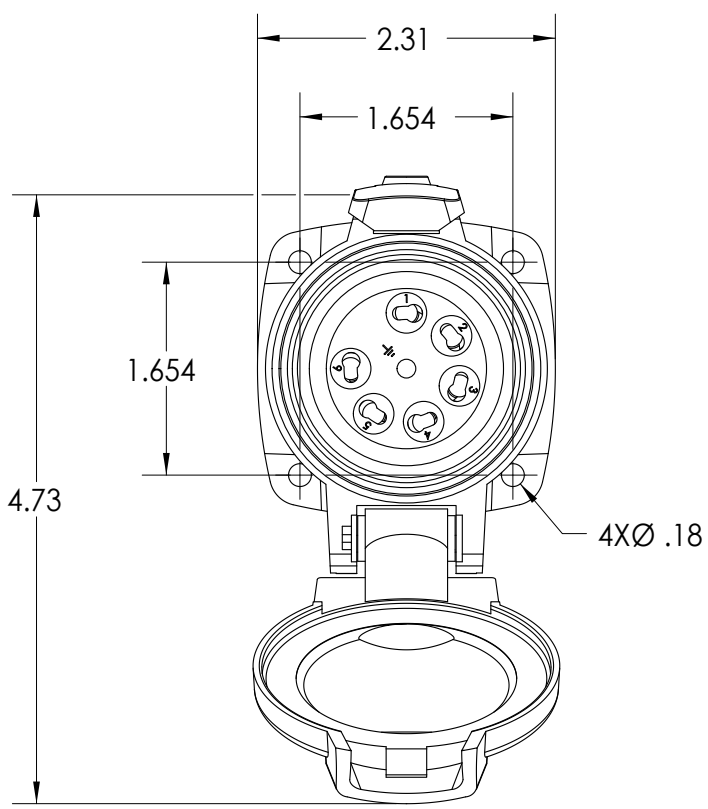
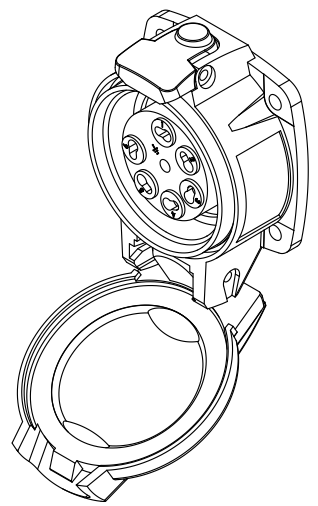
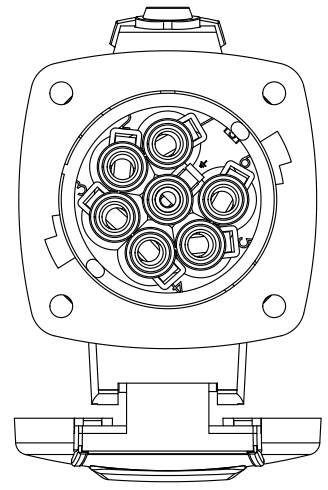


This drawing is the property of MELTRIC Corporation, Franklin (Milwaukee), Wisconsin, USA. Any unauthorized copying of this drawing by any means, or disclosure of its contents to any person not authorized by MELTRIC Corporation or its agents to receive it, is strictly prohibited.



ENTRY HOLE PATTERN



| | | | |
|--|--|------------------------------------|-------------|
| TOLERANCES UNLESS OTHERWISE SPECIFIED | | A COMPANY OF MARECHAL ELECTRIC | |
| MACHINED SURFACES $\sqrt[125]{\text{MAX}}$ | ENGLISH $0.X \pm 0.05$ $0.XX \pm 0.01$ $0.XXX \pm 0.005$ | | |
| GROUND SURFACES $\sqrt[32]{\text{MAX}}$ | | DATE: | SCALE |
| ANGLE TOLERANCE $\pm 1^\circ$ | DIMENSIONS SHOWN IN OVALS ARE INSPECTION DIMENSIONS. | SHEET: | PART NUMBER |
| REMOVE BURRS & SHARP EDGES TO .015 MAX. | | 1 OF 1 | 01-P40x1 |
| | | DRAWING TITLE: | |
| | | PN7c POLY RECEPTACLE | |
| | | BLUE POLY CASING | |



**SCATTERGOOD
& JOHNSON LTD**
ELECTRICAL ENGINEERING & FLUID CONTROL DISTRIBUTORS

Est.1899

At Scattergood & Johnson Ltd, we pride ourselves on being a technical distributor to specialist industries.

Working with a range of quality product manufacturers across a number of specialist markets, we are not your average 'box shifter' - we are your technical and supply chain partner.

We fully support every product we sell - for free! Our internal team and external sales engineers can answer any product or application question, no matter the complexity.

Backing up this technical ability is a range of 50,000+ products available from stock for nationwide next day delivery (same day if required!), or you can collect what you need from any of our trade counters around the UK.

Select your specialist interest below to learn more about how we can help.



Online, In Branch and On the Road - Scattergood & Johnson Ltd, there when you need us.

www.scatts.co.uk