

PF 66.000 EMC | PFA 60.000 EMC

ECOOL FILTERFAN | EXHAUST FILTER 640–785 m³/h

- installation size 6, air flow rate up to 785 m³/h
- three performance classes, cut-out compatible
- secure contact due to improved contact springs on the screen grid
- system of protection IP 54 and IP 55, NEMA type 12
- UL, cUL approval
- UV-resistance (IP 55 version)
- cut-out compatible to installation size 6 of the 3rd and 4th Generation



| PRODUCT | | PF 66.000 EMC | | | |
|-------------|-------|---------------|-------------|-------------|------|
| ARTICLE NO. | IP 54 | 11866022055 | 11866102055 | 11866152055 | Unit |
| ARTICLE NO. | IP 55 | 11866023055 | 11866103055 | 11866153055 | |

| DATA | | | | | |
|--|-------|---|-------------|------------|-------------------|
| Rated voltage ±10 % | | AC 50 60 Hz | | | |
| | | 400 3~ 460 3~ | 230 | 115 | V |
| Unimpeded airflow | IP 54 | 640 653 | | | m ³ /h |
| | IP 55 | 770 785 | | | |
| Airflow rate in comb. with exhaust filter | IP 54 | 445 445 | | | |
| | IP 55 | 490 501 | | | |
| Power consumption | | 120 155 | 120 160 | 110 160 | W |
| Current consumption | | 0.26 0.25 | 0.53 0.72 | 0.96 1.4 | A |
| Noise level according to EN ISO 3741 | | 63 64 | | | dB (A) |
| Weight | | 3.43 | | | kg |
| Type of connection | | spring-type terminal | | | |
| Fuse | | 6 | | | A |
| System of protection according to EN 60529 / UL 50 | IP 54 | NEMA type 12 - standard filter | | | |
| | IP 55 | NEMA type 12 - fluted filter | | | |
| Filtration efficiency according to EN 779 | IP 54 | 80 - 90 | | | % |
| | IP 55 | >90 | | | % |
| Filter mat quality class according to EN 779 | IP 54 | G 3 | | | |
| | IP 55 | G 4 | | | |
| Duty cycle | | 100 | | | % |
| Bearing type | | ball bearing | | | |
| Service life L ₁₀ (+ 40 °C) ¹ | | 40000 | | | h |
| Temperature range | | -40 ... +55 -40 ... +131 | | | °C °F |
| Design (housing and protection against accidental contact) | IP 54 | made of injection-moulded thermoplastic, self-extinguishing, UL 94 V0 | | | |
| | IP 55 | additional: UV-resistant | | | |
| EMC screen | | stainless steel | | | |
| Colour | | RAL 7035 different colours available on request | | | |

| ACCESSORIES | | ARTICLE NUMBER |
|-----------------------------|----------|----------------|
| Exhaust filter | | 11960002055 |
| Spare filter mats | 5 pieces | 18611600033 |
| Thermostat | | 17121000000 |
| Hygrostat | | 17207000000 |
| Rainhood in stainless steel | | 18102000020 |

For additional models, options and voltages visit www.pfannenber.com or contact us directly.

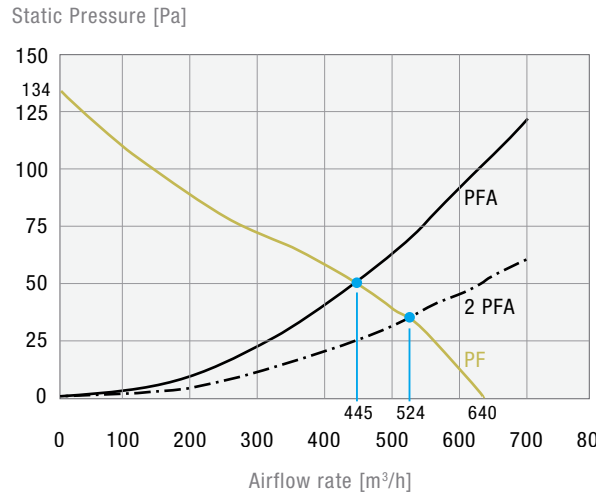
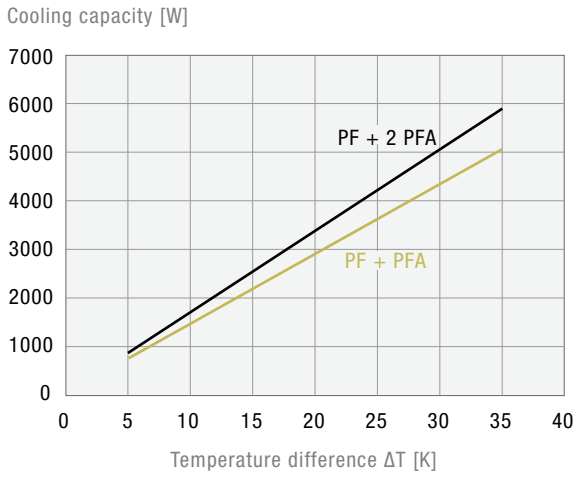
¹ fan failure is defined as being when the current and speed deviate or the operating noises are out of the ordinary



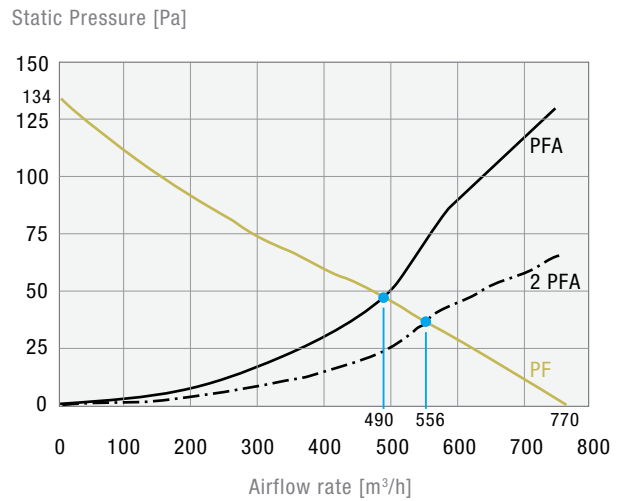
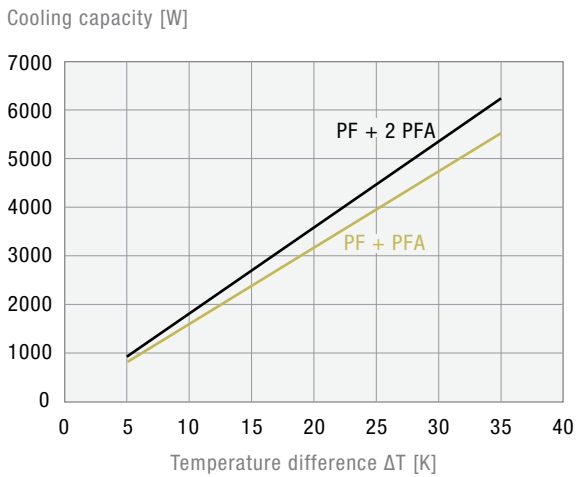
Cooling capacity performance curves

Static pressure performance curve

PF 66.000 EMC IP 54

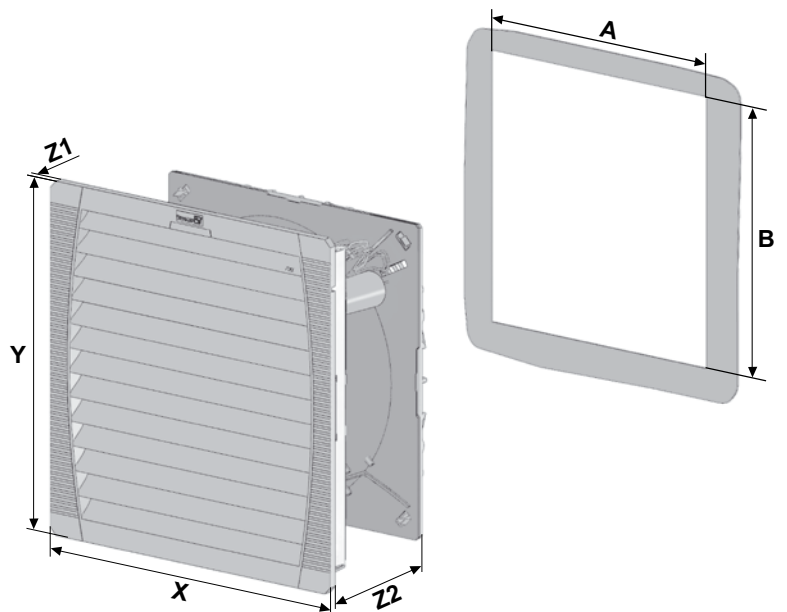


PF 66.000 EMC IP 55



Dimensions

| mm | PF 66.000 EMC | PFA 60.000 EMC |
|-----------|---------------|----------------|
| X | 320 | 320 |
| Y | 320 | 320 |
| Z1 | 7 | 7 |
| Z2 | 150 | 39 |
| A | 292 | 292 |
| B | 292 | 292 |





SCATTERGOOD & JOHNSON LTD

ELECTRICAL ENGINEERING & FLUID CONTROL DISTRIBUTORS

Est.1899

At Scattergood & Johnson Ltd, we pride ourselves on being a technical distributor to specialist industries.

Working with a range of quality product manufacturers across a number of specialist markets, we are not your average 'box shifter' - we are your technical and supply chain partner.

We fully support every product we sell - for free! Our internal team and external sales engineers can answer any product or application question, no matter the complexity.

Backing up this technical ability is a range of 50,000+ products available from stock for nationwide next day delivery (same day if required!), or you can collect what you need from any of our trade counters around the UK.

Select your specialist interest below to learn more about how we can help.



Online, In Branch and On the Road - Scattergood & Johnson Ltd, there when you need us.

www.scatts.co.uk