

HAZARDOUS AREA HEATER

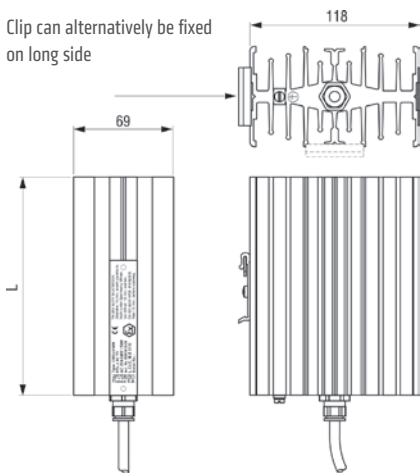
CREX 020 | 50W, 100W



- > Large convection surface
- > Clip fixing
- > Ready for use
- > Maintenance free

Compact convection heater for use in areas with explosion hazard for prevention of formation of condensation, temperature fluctuations and for protection against frost in transmitter housings, switch cabinets and measuring equipment.

Clip can alternatively be fixed on long side



Hazardous area Thermostat REX 011



TECHNICAL DATA

Heating element	high performance cartridge
Heater body	aluminium profile, silver anodised
Connection	Si HF-JZ 3 x 0.75mm ² cable, length 1m
Connection PE	4mm ²
Mounting	clip for 35mm DIN rail, EN 60715
Fitting position	vertical airflow (connection on bottom)
Storage temperature	-45 to +70°C (-49 to +158°F)
Operating/Storage humidity	max. 90% RH (non-condensing)
Protection type/Protection class	IP6X / I (earthed)
Approvals	LCIE 01 ATEX 6073 X IECEx LCI 07.0020 X INMETRO DNV 14.0138X EAC

Art. No.	Operating voltage	Heating capacity	Recommended pre-fuse T (time-delay)	Ambient temperature ¹	Ex Protection type II 2 GD		Surface temperature	Lenght (L)	Weight (approx.)
					Gases	Dusts			
02010.0-00	230-240VAC	50W	0.5A	-40 to +50°C (-40 to +122°F) -40 to +85°C (-40 to +185°F)	Ex d IIC T5 Gb Ex d IIC T4 Gb	Ex tb IIIC T100°C Db IP6X Ex tb IIIC T135°C Db IP6X	T5 = +100°C (+212°F) T4 = +135°C (+275°F)	150mm	1.3kg
02010.0-01	110-120VAC	50W	1.0A	-40 to +50°C (-40 to +122°F) -40 to +85°C (-40 to +185°F)	Ex d IIC T5 Gb Ex d IIC T4 Gb	Ex tb IIIC T100°C Db IP6X Ex tb IIIC T135°C Db IP6X	T5 = +100°C (+212°F) T4 = +135°C (+275°F)	150mm	1.3kg
02011.0-00	230-240VAC	100W	1.0A	-40 to +50°C (-40 to +122°F) -40 to +85°C (-40 to +185°F)	Ex d IIC T4 Gb Ex d IIC T3 Gb	Ex tb IIIC T135°C Db IP6X Ex tb IIIC T200°C Db IP6X	T4 = +135°C (+275°F) T3 = +200°C (+392°F)	180mm	1.5kg
02011.0-01	110-120VAC	100W	2.0A	-40 to +50°C (-40 to +122°F) -40 to +85°C (-40 to +185°F)	Ex d IIC T4 Gb Ex d IIC T3 Gb	Ex tb IIIC T135°C Db IP6X Ex tb IIIC T200°C Db IP6X	T4 = +135°C (+275°F) T3 = +200°C (+392°F)	180mm	1.5kg

¹ Ambient temperature inside of the cabinet/enclosure



**SCATTERGOOD
& JOHNSON LTD**
ELECTRICAL ENGINEERING & FLUID CONTROL DISTRIBUTORS

Est.1899

At Scattergood & Johnson Ltd, we pride ourselves on being a technical distributor to specialist industries.

Working with a range of quality product manufacturers across a number of specialist markets, we are not your average 'box shifter' - we are your technical and supply chain partner.

We fully support every product we sell - for free! Our internal team and external sales engineers can answer any product or application question, no matter the complexity.

Backing up this technical ability is a range of 50,000+ products available from stock for nationwide next day delivery (same day if required!), or you can collect what you need from any of our trade counters around the UK.

Select your specialist interest below to learn more about how we can help.



Online, In Branch and On the Road - Scattergood & Johnson Ltd, there when you need us.

www.scatts.co.uk