

# CUBIC

## CU-FLEX



### CU-FLEX FLEXIBLE BUSBARS

#### Tested flexible busbars

Cu-flex is made of copper wires that are woven to a flexible busbar. By the use of a patented technique, the ends of the busbar is forged to a solid unit, thus obtaining a contact surface that makes it possible to make maintenance-free connections.

# CUBIC

## TESTED FLEXIBLE COPPER BUSBARS

Cu-flex busbars ensure a prompt and professional execution of electrical connections. The busbars are supplied ready for use! This means that you do not have to spend time on shortening, stripping the wires, making holes, or complicated bends.

Cu-flex has been tested and approved under various circumstances by i.a. DEKRA and DNV.

In addition Cu-flex is UL recognized in category "Component - Panelboard and Switchboard Accessories".



## ADVANTAGES WITH A CU-FLEX BUSBAR

- Delivered ready for use
- No shortening, stripping or making holes for fitting required
- Multi-flexible
- Rated current at 30°C, up to 1040A
- Lengths 160 - 1120 mm
- Time-saving installation
- Does not contain dioxins
- Up to 1000V

## BUSBAR WITH A MINIMUM OF MAINTENANCE

A Cu-flex copper busbar is made of copper wires that are woven to a flexible busbar. CUBIC's patented technique forges the ends of the busbar to a solid unit. No tin or the like has been added.

Thus obtaining a contact surface that makes it possible to produce maintenance-free connections.

Connection:  
Busbar to busbar



Connection:  
Between electrical components.

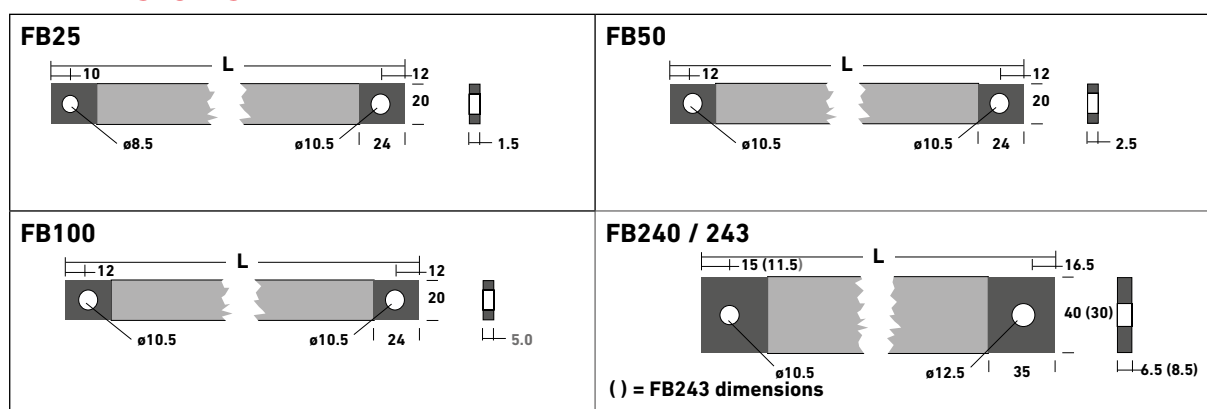
## AVAILABLE VERSIONS

Length \ Type	160	224	288	352	416	480	544	608	672	736	800	864	928	1120
<b>FB25</b>	X <sup>1)</sup>	X <sup>1)</sup>	X <sup>1)</sup>	X <sup>1)</sup>	X <sup>1)</sup>	X <sup>1)</sup>	X	X	X	X	X	X	X	X
<b>FB50</b>	X <sup>1)</sup>	X <sup>1)</sup>	X <sup>1)</sup>	X <sup>1)</sup>	X <sup>1)</sup>	X <sup>1)</sup>	X	X	X	X	X	X	X	X
<b>FB100</b>	X	X	X	X	X	X	X <sup>2)</sup>	X	X	X	X	X	X	X
<b>FB240</b>	Length is not available		X	X	X	X	X	X	X	X	X	X	X	X
<b>FB243</b>			X	X	X	X	X	X	X	X	X	X	X <sup>3)</sup>	X

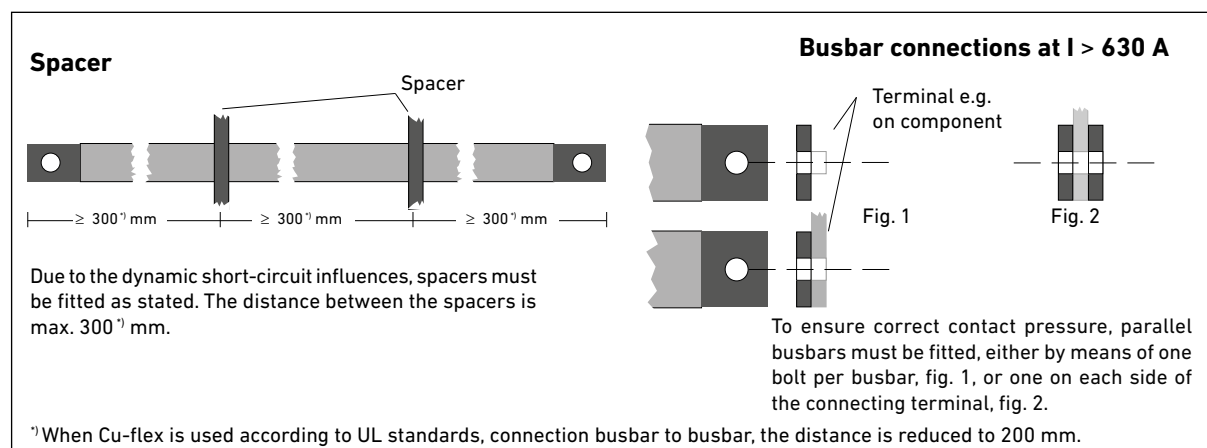
Example: Type + length in mm = type No.: (X<sup>2)</sup> = FB100544 (X<sup>3)</sup> = FB243928

<sup>1)</sup> Also available with green/yellow insulation  
 Type No.: PE-FB25XXX  
 PE-FB50XXX

## DIMENSIONS



## MOUNTING PRINCIPLES

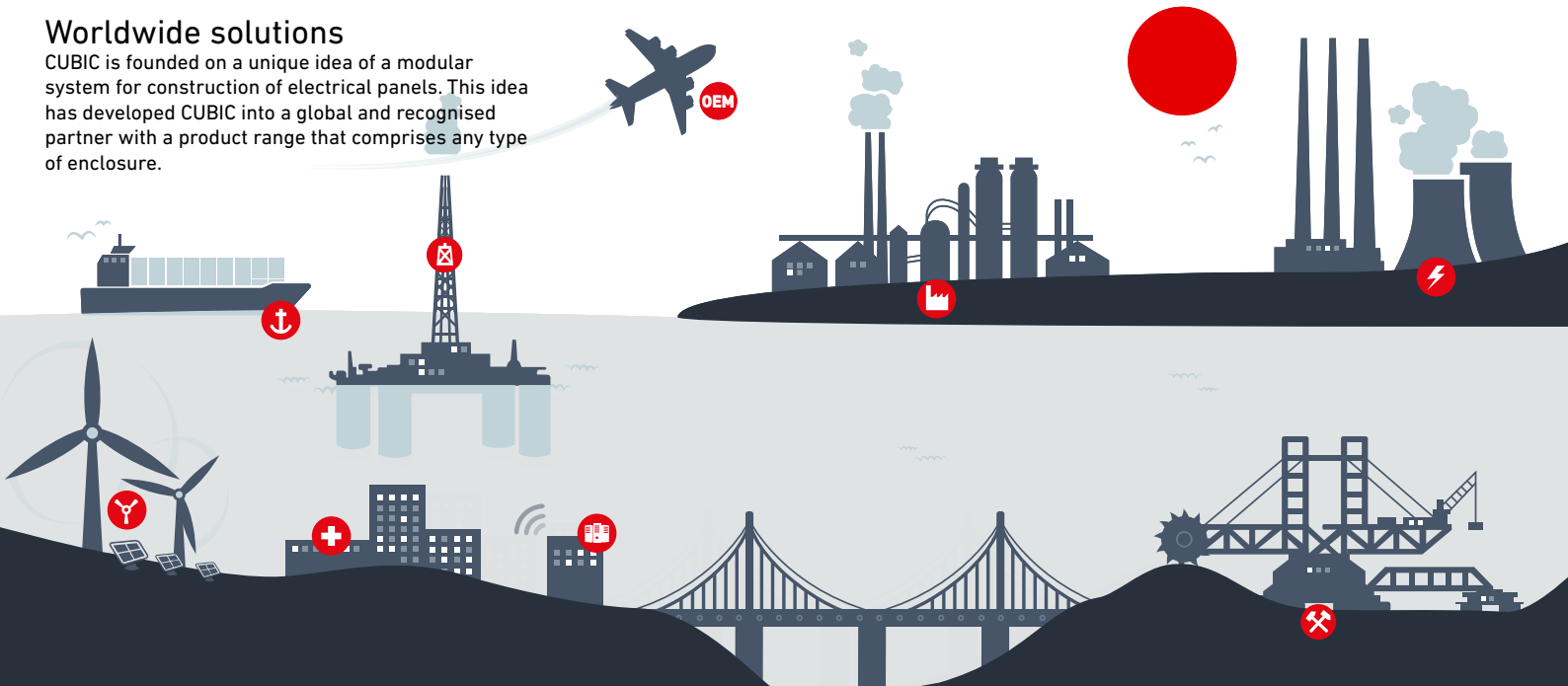


## RATED CURRENT AT 30°C [IN]

FB25	FB50	FB100	2 x FB100	FB240 FB243	2 x FB240 2 x FB243
190 A	295 A	420 A	645 A	690 A	1040 A

## Worldwide solutions

CUBIC is founded on a unique idea of a modular system for construction of electrical panels. This idea has developed CUBIC into a global and recognised partner with a product range that comprises any type of enclosure.



### DENMARK (Head office)

CUBIC-Modulsystem A/S  
Skjoldborgsgade 21  
DK-9700 Broenderslev  
Denmark  
Tel. +45 9882 2400  
info@cubic.eu

### NORWAY

CUBIC-Norge A/S  
Postboks 33  
Jeksleveien 49  
3300 Frogner  
Norge  
Tel. +47 6386 7100  
info@cubic-norge.no

### SWEDEN

CUBIC Svenska AB  
Box 353  
Hantverksgatan 5 B  
S-571 24 Nässjö  
Sweden  
Tel. +46(0)380 741 70  
info@cubicsvenska.se

### POLAND

CUBIC Polska Sp. Z o.o.  
North West Logistics Park  
Kniewska Street 5  
PL-70-846 Szczecin  
Poland  
Tel: +45 9882 2400  
info@cubic.eu

### U.K.

CUBIC Modular Systems  
(U.K.) Ltd  
Unit 1, Queensmead Place  
Textilose Road, Trafford Park  
Manchester, M17 1PH  
U.K.  
Tel. +44 161 876 4742  
info@cubic-uk.co.uk

### IRELAND

CUBIC-Modulsystem A/S  
Units 64 & 65  
Parkwest Enterprise Centre  
Parkwest Industrial Park  
IRL-Dublin 12  
Ireland  
Tel. +353 16 215 288/289  
info@cubic.ie

### CHINA

CUBIC Electromechanical  
System (Tianjin) Co., Ltd  
30 Xin Ye 3rd Street  
TEDA West Building 17  
Tianjin, 300462  
China  
Tel. +86 (22) 5983 2158  
info@cubic.asia

### BELGIUM

CUBIC-Modulsystem A/S  
Chaussée de Namur 85A  
B-1400 Nivelles  
Belgium  
Tel. +32 6721 2979  
info@be.cubic.dk

### SPAIN

CUBIC Modular System  
España SL.  
Ronda Maiols, 1 - Ed.,  
BMC, local 349  
08192 Sant Quirze del Vallès  
Barcelona, Spain  
Tel +34 684 259 748  
info@es.cubic.eu

### THE NETHERLANDS

CUBIC Nederland BV  
Kelvinring 54  
2952 BG Alblasterdam  
The Netherlands  
Tel. +31 (0) 627 064 567  
info@nl.cubic.eu

# CUBIC



# SCATTERGOOD & JOHNSON LTD

ELECTRICAL ENGINEERING & FLUID CONTROL DISTRIBUTORS

Est.1899

At Scattergood & Johnson Ltd, we pride ourselves on being a technical distributor to specialist industries.

Working with a range of quality product manufacturers across a number of specialist markets, we are not your average 'box shifter' - we are your technical and supply chain partner.

We fully support every product we sell - for free! Our internal team and external sales engineers can answer any product or application question, no matter the complexity.

Backing up this technical ability is a range of 50,000+ products available from stock for nationwide next day delivery (same day if required!), or you can collect what you need from any of our trade counters around the UK.

Select your specialist interest below to learn more about how we can help.



Online, In Branch and On the Road - Scattergood & Johnson Ltd, there when you need us.

# [www.scatts.co.uk](http://www.scatts.co.uk)