

Product: [GDM21F6-L1Y-10D](#)

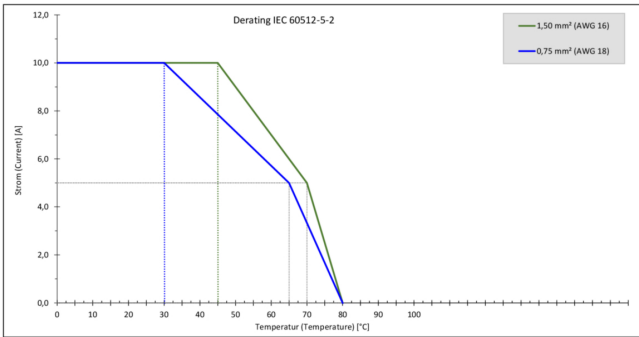


GDM Standard DIN Standard Field Attachable Connector: Form A, 3-pin (2+1PE; PE across cable outlet), transparent housing, screw type, M16; with yellow LED, 230 V AC/DC, 10 A

Product Description

GDM Standard DIN Standard Field Attachable Connector: Form A, 3-pin (2+1PE; PE across cable outlet), transparent housing, screw type, M16; with yellow LED, 230 V AC/DC, 10 A

Technical Drawing



Montageanleitung Ventillöscheinleiter

BELDEN

GDM

DIN EN 175305-803

PHS, IP 67

Kabelspezifikation
Kabeldurchmesser: 0,5 bis 0,8 mm (SG) bis 30,0 mm
Leitungsquerschnitt: AWG 20 – AWG 14

Achtung!
Stecker/Einleiter nicht unter Last oder Spannung stecken / lösen!

Wichtige Hinweise

Die Kabel sind nicht für Freileitung und Übermittlung mit der Hochspannung und nicht geeignet. Dieser Stecker ist ausschließlich für geschlossene Stromkreise geeignet. Er ist für die Verwendung in Umgebungen mit Feuchtigkeit, Staub und anderen Verunreinigungen geeignet. Die Verwendung in Umgebungen mit Feuchtigkeit, Staub und anderen Verunreinigungen ist nicht zulässig. Die Verwendung in Umgebungen mit Feuchtigkeit, Staub und anderen Verunreinigungen ist nicht zulässig. Die Verwendung in Umgebungen mit Feuchtigkeit, Staub und anderen Verunreinigungen ist nicht zulässig.

1. Leitungsbezeichnung, Kabelkennzeichen / Anzeigensystem

GDM200	10x5,0	0,5 – 0,8 mm	100 Nm
GDM200	7x5,0	0,5 – 0,8 mm	100 Nm
GDM200	4x5,0	0,5 – 0,8 mm	100 Nm
GDM200	3x5,0	0,5 – 0,8 mm	100 Nm
GDM200	2x5,0	0,5 – 0,8 mm	100 Nm

2. Schutzkategorie / Überspannungskategorie / Elektr. Werte

AWG 20	40 Nm	64 / 300 V a.c./d.c.
AWG 18	40 Nm	100 / 300 V a.c./d.c.
AWG 16	40 Nm	150 / 300 V a.c./d.c.
AWG 14	40 Nm	250 / 300 V a.c./d.c.

3. Betriebskategorie / Anzeigensystem / Elektr. Werte

AWG 20	40 Nm	64 / 300 V a.c./d.c.
AWG 18	40 Nm	100 / 300 V a.c./d.c.
AWG 16	40 Nm	150 / 300 V a.c./d.c.
AWG 14	40 Nm	250 / 300 V a.c./d.c.

4. Leitung Adern, Abblende

Option 1: 4-Adern, Abblende

Option 2: 4-Adern, Abblende

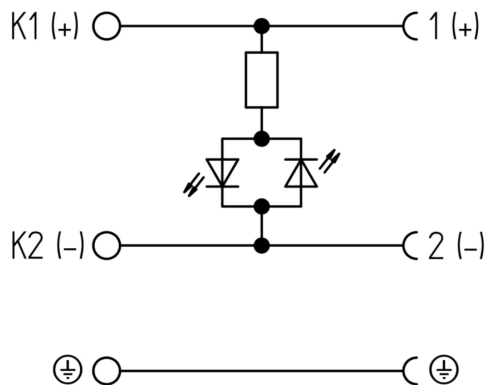
5. Crimp Kontakte für Leitungen: Größe AWG von

Typ/Modell	Justier-Fluss-Trommel
Leitungsquerschnitt	0,5 – 0,8 mm
Handlungsanleitung	Typ/Modell: 30000, 30001, 30002, 30003, 30004, 30005, 30006, 30007, 30008, 30009, 30010, 30011, 30012, 30013, 30014, 30015, 30016, 30017, 30018, 30019, 30020, 30021, 30022, 30023, 30024, 30025, 30026, 30027, 30028, 30029, 30030, 30031, 30032, 30033, 30034, 30035, 30036, 30037, 30038, 30039, 30040, 30041, 30042, 30043, 30044, 30045, 30046, 30047, 30048, 30049, 30050, 30051, 30052, 30053, 30054, 30055, 30056, 30057, 30058, 30059, 30060, 30061, 30062, 30063, 30064, 30065, 30066, 30067, 30068, 30069, 30070, 30071, 30072, 30073, 30074, 30075, 30076, 30077, 30078, 30079, 30080, 30081, 30082, 30083, 30084, 30085, 30086, 30087, 30088, 30089, 30090, 30091, 30092, 30093, 30094, 30095, 30096, 30097, 30098, 30099, 30100

6. Klemm- und Befestigungswerte / Befestigung der Adern

Pin	Adernzahl
Pin 1	1
Pin 2	2
Pin 3	3
Pin 4	4
Pin 5	5
Pin 6	6
Pin 7	7
Pin 8	8
Pin 9	9
Pin 10	10
Pin 11	11
Pin 12	12
Pin 13	13
Pin 14	14
Pin 15	15
Pin 16	16
Pin 17	17
Pin 18	18
Pin 19	19
Pin 20	20
Pin 21	21
Pin 22	22
Pin 23	23
Pin 24	24
Pin 25	25
Pin 26	26
Pin 27	27
Pin 28	28
Pin 29	29
Pin 30	30
Pin 31	31
Pin 32	32
Pin 33	33
Pin 34	34
Pin 35	35
Pin 36	36
Pin 37	37
Pin 38	38
Pin 39	39
Pin 40	40

7. Technische Zeichnungen



Technical Specifications

Technical Data

Product Family:	Valve Connectors
Product Sub Family:	GDM Standard
Brand:	Hirschmann
Connector Type:	Field attachable
Type of Contact / Gender:	Female
Connector Design:	Angled
Number of Pins:	2+PE (PE across cable outlet)
Coding:	A
Shielding:	Unshielded
Attachment Type:	Central Screw
Replacement for:	ID: 934425003 Name: GDML 2016 LED 230 YE grau
Rated Impulse Voltage:	4.0 kV (PCBA 2.0 kV)
Operating Voltage:	230 V AC/DC
Rated Current*:	10 A
Contact Resistance:	≤ 10 mOhm
Insulation Resistance:	> 10 ⁹ Ohm
Mating Cycles:	≤ 50
Type of Connection:	Screw
Cable Gland:	M16
Conductor Cross Section:	0.25 - 1.5 mm ²
Suitable Cables:	Ø 4.5 - 10 mm
Ambient Temperature (Operation)*:	-25°C to +80°C
Protection Degree / IP Rating**:	IP65
Design Standard:	DIN EN 175301-803-A, ISO 4400
Pollution Degree:	3 acc. to DIN EN 60664-1 (VDE 0110-1)
Clearance / Creepage Distance:	DIN EN 60664-1 (2008/01); VDE 0110-1
Overvoltage Category:	III acc. to DIN EN 60664-1 (VDE 0110-1)

Materials

Contact Base Material:	CuZn
Contact Plating:	Cu/Sn
Contact Bearer Material:	PA GF
Contact Bearer Color:	black
Flammability Class (Contact Bearer):	UL 94 HB
Housing Material:	PA GF
Housing Color:	Translucent
Flammability Class (Housing):	UL 94 HB
Cable Gland Material:	PA GF
Cable Gland Gasket:	NBR

Cable Gland Color:	Black
Attachment Material:	Steel, Philips combi slot
Gasket Material:	Sold separately

Protection Circuitry

Function Indicator:	Yellow LED
---------------------	------------

Additional Technical Data

Fastening Torque (Contact Screw):	M3: (25-30) Ncm
Fastening Torque (Cable Gland):	(150-200) Ncm
Fastening Torque (Attachment):	(50-60) Ncm

Approvals

VDE:	yes
SEV:	yes

Safety & Environmental Compliance

RoHS Compliant:	yes
-----------------	-----

Notes

Note Derating:	Notice derating
Protection Degree / IP Rating Note:	** only if mounted and locked in combination with Hirschmann / Lumberg Automation connector.
Note:	Do not connect or disconnect under load.

Variants

Item #	Item Description	Replacement For
934888020	GDM21F6-L1Y-10D	ID: 934425003 Name: GDML 2016 LED 230 YE grau

© 2022 Belden, Inc

All Rights Reserved.

Although Belden makes every reasonable effort to ensure their accuracy at the time of this publication, information and specifications described here in are subject to error or omission and to change without notice, and the listing of such information and specifications does not ensure product availability.

Belden provides the information and specifications herein on an "ASIS" basis, with no representations or warranties, whether express, statutory or implied. In no event will Belden be liable for any damages (including consequential, indirect, incidental, special, punitive, or exemplary damages) whatsoever, even if Belden has been advised of the possibility of such damages, whether in an action under contract, negligence or any other theory, arising out of or in connection with the use, or inability to use, the information or specifications described herein.

All sales of Belden products are subject to Belden's standard terms and conditions of sale.

Belden believes this product to be in compliance with all applicable environmental programs as listed in the data sheet. The information provided is correct to the best of Belden's knowledge, information and belief at the date of its publication. This information is designed only as a general guide for the safe handling, storage, and any other operation of the product itself or the one that it becomes a part of. The Product Disclosure is not to be considered a warranty or quality specification. Regulatory information is for guidance purposes only. Product users are responsible for determining the applicability of legislation and regulations based on their individual usage of the product.



**SCATTERGOOD
& JOHNSON LTD**
ELECTRICAL ENGINEERING & FLUID CONTROL DISTRIBUTORS

Est.1899

At Scattergood & Johnson Ltd, we pride ourselves on being a technical distributor to specialist industries.

Working with a range of quality product manufacturers across a number of specialist markets, we are not your average 'box shifter' - we are your technical and supply chain partner.

We fully support every product we sell - for free! Our internal team and external sales engineers can answer any product or application question, no matter the complexity.

Backing up this technical ability is a range of 50,000+ products available from stock for nationwide next day delivery (same day if required!), or you can collect what you need from any of our trade counters around the UK.

Select your specialist interest below to learn more about how we can help.



Online, In Branch and On the Road - Scattergood & Johnson Ltd, there when you need us.

www.scatts.co.uk