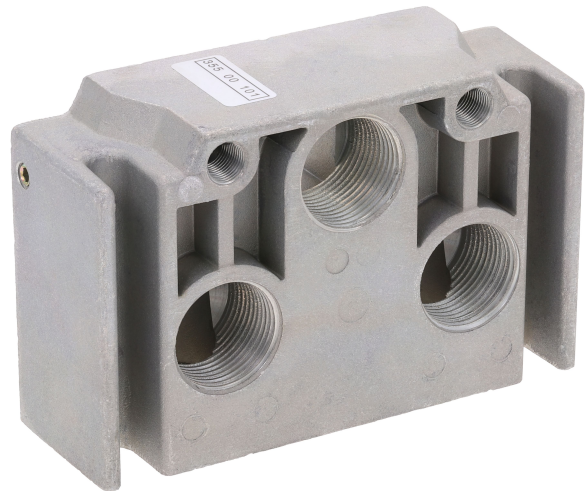


# End plate left, End plate right ISO 2

35500101



## Technical data

Type

End plate

Type

[[42] mm]

Compressed air connection 1

G 3/4

Port 3 / 5

G 3/4

Compressed air connection 12

G 1/8

Compressed air connection 14

G 1/8

Scope of delivery

2 end plates incl. 2 seals, 1 blanking plate (no flow), 1 separation plate (ports 1, 3, 5), and 2 assembly diabolos

Frame size

ISO 2

Working pressure min.

-0.95 bar

Working pressure max

12 bar

Min. ambient temperature

-10 °C

Max. ambient temperature

60 °C

Min. medium temperature

-10 °C

Max. medium temperature

60 °C

Medium

Compressed air

## Material

AVENTICS



**EMERSON**<sup>™</sup>

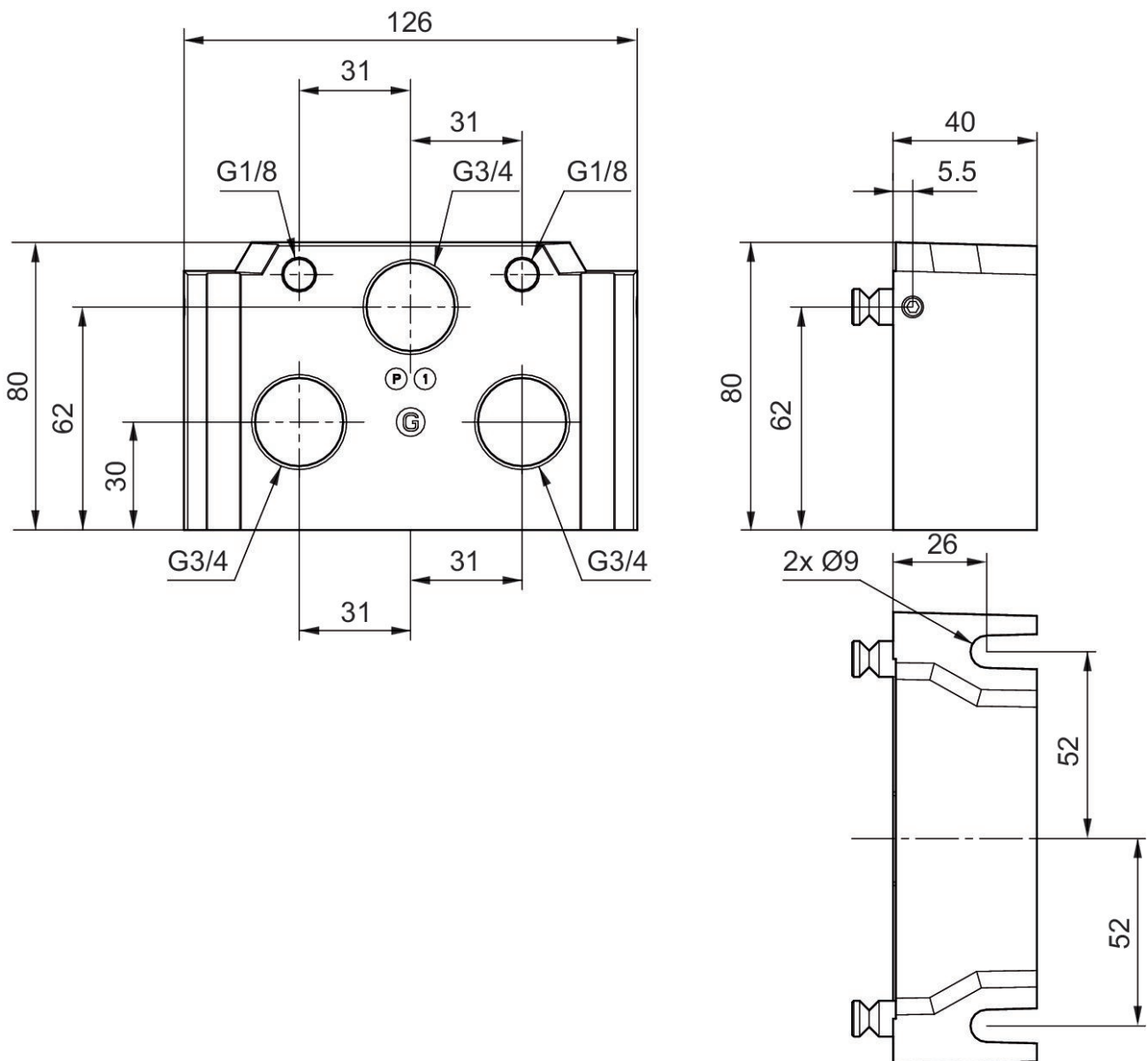
Part No.  
35500101

### Technical information

The min. control pressure must be adhered to, since otherwise faulty switching and valve failure may result!

The pressure dew point must be at least 15 °C under ambient and medium temperature and may not exceed 3 °C .

The oil content of compressed air must remain constant during the life cycle.





**SCATTERGOOD  
& JOHNSON LTD**  
ELECTRICAL ENGINEERING & FLUID CONTROL DISTRIBUTORS

Est.1899

At Scattergood & Johnson Ltd, we pride ourselves on being a technical distributor to specialist industries.

Working with a range of quality product manufacturers across a number of specialist markets, we are not your average 'box shifter' - we are your technical and supply chain partner.

We fully support every product we sell - for free! Our internal team and external sales engineers can answer any product or application question, no matter the complexity.

Backing up this technical ability is a range of 50,000+ products available from stock for nationwide next day delivery (same day if required!), or you can collect what you need from any of our trade counters around the UK.

Select your specialist interest below to learn more about how we can help.



Online, In Branch and On the Road - Scattergood & Johnson Ltd, there when you need us.

**[www.scatts.co.uk](http://www.scatts.co.uk)**