

# SG-1 DI Water Spray Gun

## Product Overview

The PFA DI Water Spray Gun is suitable for use in high purity semiconductor applications. The design utilizes a molded high purity PFA body with precision machined sealing areas. A one piece machined modified PTFE diaphragm/poppet provides excellent flexibility and long life. Wetted surfaces are PFA and modified PTFE thus eliminating the need for elastomer seals. The SG-1 is available with either 1/4" FNPT or 3/8" Parflare connections. Optional coiled hoses, with or without recirculation feature are also available.



## Features

One piece precision machined diaphragm/poppet manufactured from the latest technology modified PTFE. Provides over five times the flexural life as compared to conventional PTFE. Wiper seat for positive through flow shut off and diaphragm to body seal.

Reversible/removable hanger.

Optional recirculation kit.

## Benefits

High cycle life.

Lower replacement costs.

Less downtime.

Allows hanging in either direction.

Provides low dead volume, purity maintaining circulation.

## Specifications

Materials of Construction:

Wetted Surfaces - PFA, Modified PTFE

External Surfaces - PFA, PVDF, Stainless Steel Spring

Pressure Ranges:

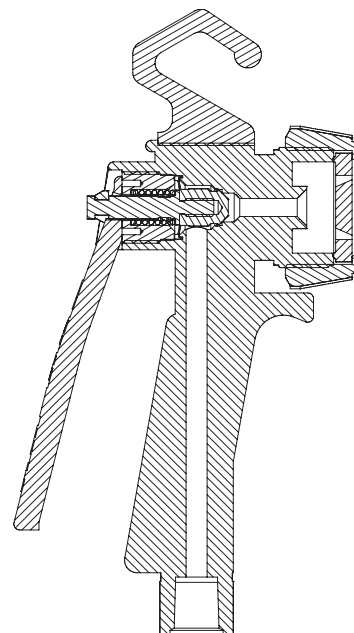
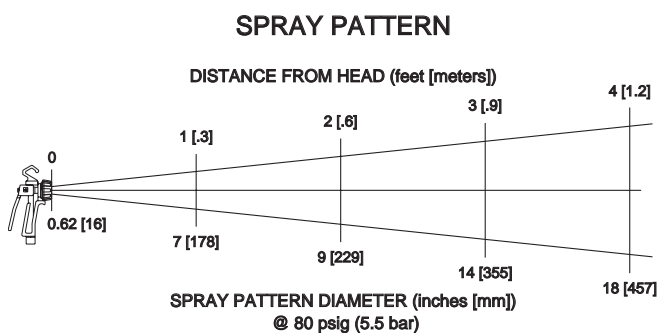
0 to 80 PSIG (5.5 bar)

Pressure range above is for operation at ambient temperature. For use at higher temperatures consult Pressure/Temperature chart on page 3.

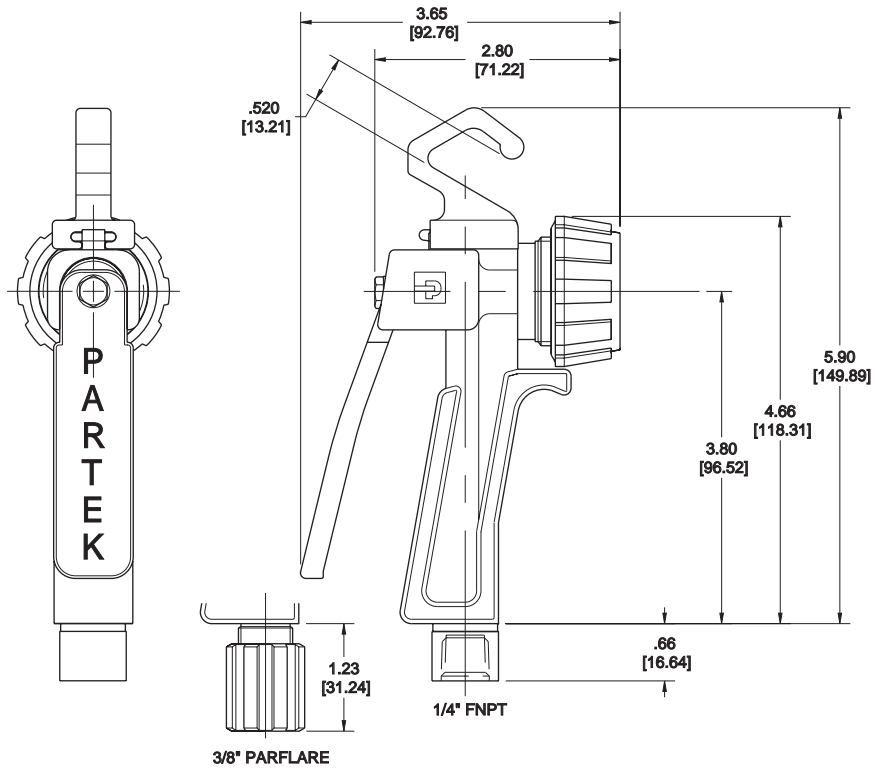
Temperature Ranges:

0° - 150° F (-17° - 66° C) Ambient

0° - 200° F (-17° - 93° C) Fluid



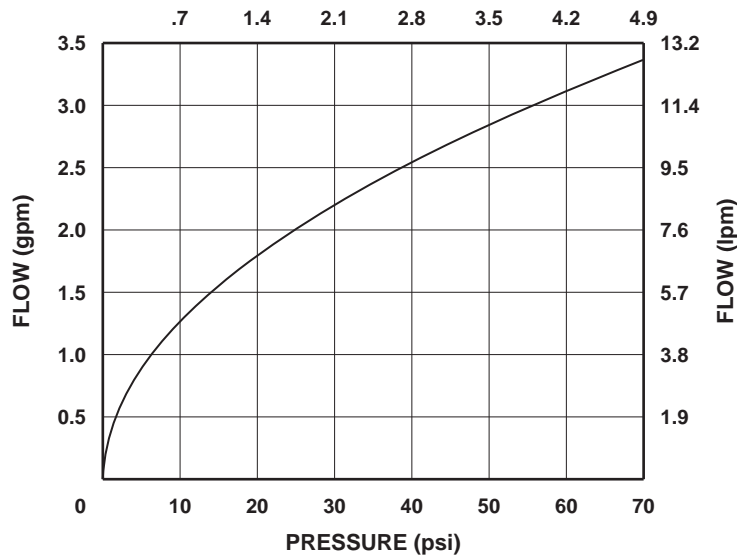
# SG-1 DI Water Spray Gun



BRACKETED DIMENSIONS ARE IN mm.

Model Number	End Connection	Description
SG-1-01	1/4" FNPT	Spray Gun only
SG-1-02	3/8" Parflare	Spray Gun only
SG-1-02-01	3/8" Parflare	Spray Gun with complete 1002-0158 Recirculation Assembly
FBMTR-2G64	N/A	Recirculating Tee Connector only
1002-0158	"	Complete Recirculation Kit with FBMTR-2G64 and 8' FEP Coil
1002-0161	"	8' FEP Coil only

**INLET PRESSURE VS. FLOW**  
PRESSURE (bar)





**SCATTERGOOD  
& JOHNSON LTD**  
ELECTRICAL ENGINEERING & FLUID CONTROL DISTRIBUTORS

Est.1899

At Scattergood & Johnson Ltd, we pride ourselves on being a technical distributor to specialist industries.

Working with a range of quality product manufacturers across a number of specialist markets, we are not your average 'box shifter' - we are your technical and supply chain partner.

We fully support every product we sell - for free! Our internal team and external sales engineers can answer any product or application question, no matter the complexity.

Backing up this technical ability is a range of 50,000+ products available from stock for nationwide next day delivery (same day if required!), or you can collect what you need from any of our trade counters around the UK.

Select your specialist interest below to learn more about how we can help.



Online, In Branch and On the Road - Scattergood & Johnson Ltd, there when you need us.

**[www.scatts.co.uk](http://www.scatts.co.uk)**