

# Housing - HC-STA-B10-BWD-ELC-AL



1411322

<https://www.phoenixcontact.com/gb/products/1411322>

Please be informed that the data shown in this PDF document is generated from our Online Catalog. Please find the complete data in the user documentation. Our General Terms of Use for Downloads are valid.

---



HEAVYCON B10 panel mounting base, with double locking latch, with flat gasket, salt-water-resistant aluminum, conductive profile gasket

---

## Your advantages

- good shielding in the event of electromagnetic interference

# Housing - HC-STA-B10-BWD-ELC-AL



1411322

<https://www.phoenixcontact.com/gb/products/1411322>

## Commercial Data

Item number	1411322
Packing unit	1 pc
Minimum order quantity	1 pc
Sales Key	BF7APB
Product Key	BF7APB
Catalog Page	Page 609 (C-2-2019)
GTIN	4046356927239
Weight per Piece (including packing)	104.7 g
Weight per Piece (excluding packing)	103.2 g
Customs tariff number	85389099
Country of origin	CN

# Housing - HC-STA-B10-BWD-ELC-AL



1411322

<https://www.phoenixcontact.com/gb/products/1411322>

## Technical Data

### Notes

General	For contact inserts HC-B10, BB18, DD42, M, K8/24
---------	--

### Product properties

Type	B10
Product type	Housing with locking latch
Application	Standard
Housing type	Panel mounting base
Locking type	with double locking latch
Pg screw connection	none

### Dimensions

Dimensional drawing	
Width	53 mm
Height	30.5 mm
Length	93.5 mm
Drill hole distance, horizontal	83 mm
Drill hole distance, vertical	32 mm
Hole diameter	4.5 mm

### Installation dimensions

Width of the assembly cutout	35 mm
Length of the assembly cutout	65 mm

### Material specifications

Color	gray aluminum
Flammability rating according to UL 94	V0 (Interlock)
Sealing material	NBR, conductive (profile gasket) NBR, conductive (Flat gasket)
Housing surface material	uncoated
Locking latch material	PA
Impact strength	IK09
Housing material	Die-cast aluminum, salt water resistant

### Ambient conditions

Degree of protection	IP66 IP67
Degree of protection	4 (UL 50e) 4X (UL 50e)

# Housing - HC-STA-B10-BWD-ELC-AL



1411322

<https://www.phoenixcontact.com/gb/products/1411322>

	12 (UL 50e)
Impact strength	IK09
Ambient temperature (operation)	-40 °C ... 125 °C

## Mechanical properties

### Mechanical data

Locking type	Latch
--------------	-------

# Housing - HC-STA-B10-BWD-ELC-AL

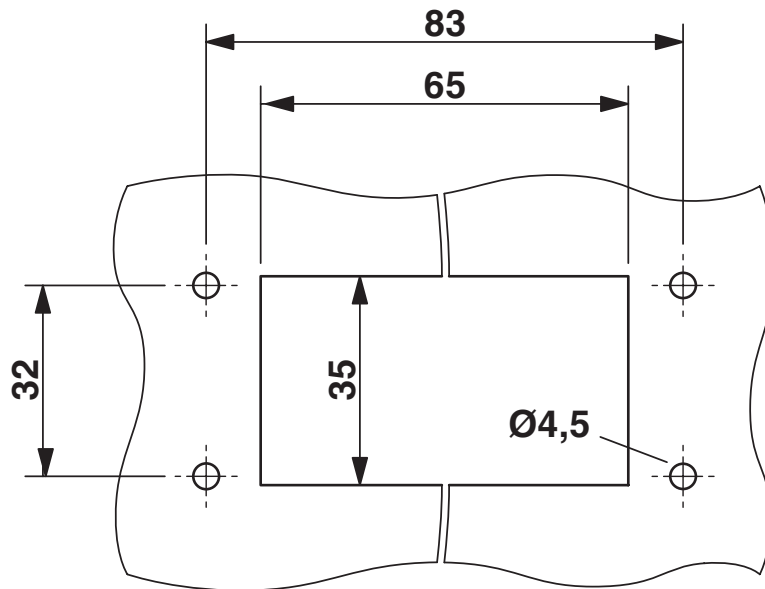


1411322

<https://www.phoenixcontact.com/gb/products/1411322>

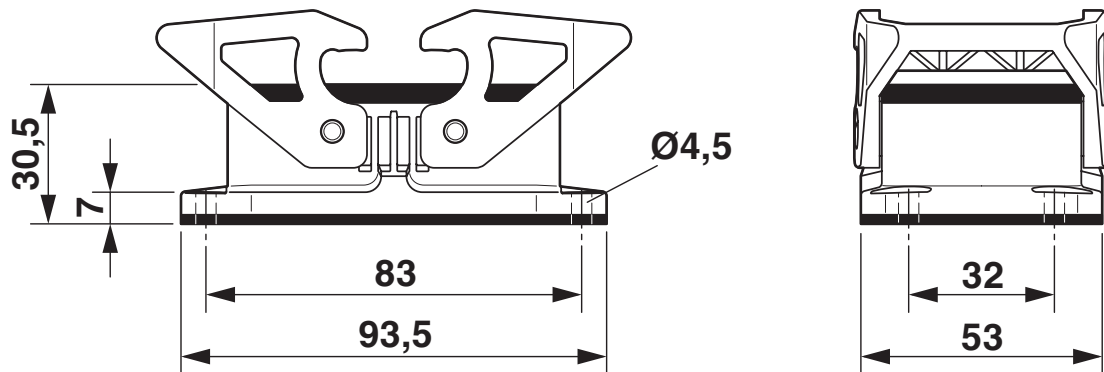
## Drawings

Dimensional drawing



Mounting cutout

Dimensional drawing



Dimensional drawing

# Housing - HC-STA-B10-BWD-ELC-AL



1411322

<https://www.phoenixcontact.com/gb/products/1411322>

## Approvals

**DNV**

Approval ID: TAE000037S



**cUL Recognized**

Approval ID: E255026



**UL Recognized**

Approval ID: E255026



**EAC**

Approval ID: RU C-DE.AI30.B.01102



**EAC**

Approval ID: RU C-DE.BL08.B.00511

**cULus Recognized**

# Housing - HC-STA-B10-BWD-ELC-AL



1411322

<https://www.phoenixcontact.com/gb/products/1411322>

## Classifications

### ECLASS

ECLASS-9.0	27440202
ECLASS-10.0.1	27440202
ECLASS-11.0	27440202

### ETIM

ETIM 8.0	EC000437
----------	----------

### UNSPSC

UNSPSC 21.0	31261500
-------------	----------

# Housing - HC-STA-B10-BWD-ELC-AL



1411322

<https://www.phoenixcontact.com/gb/products/1411322>

## Environmental Product Compliance

China RoHS

Environmentally friendly use period: unlimited = EFUP-e

No hazardous substances above threshold values

Phoenix Contact 2022 © - all rights reserved  
<https://www.phoenixcontact.com>

PHOENIX CONTACT Ltd  
Halesfield 13, Telford  
Shropshire, TF7 4PG  
01952 681700  
[info@phoenixcontact.co.uk](mailto:info@phoenixcontact.co.uk)



**SCATTERGOOD  
& JOHNSON LTD**  
ELECTRICAL ENGINEERING & FLUID CONTROL DISTRIBUTORS

Est.1899

At Scattergood & Johnson Ltd, we pride ourselves on being a technical distributor to specialist industries.

Working with a range of quality product manufacturers across a number of specialist markets, we are not your average 'box shifter' - we are your technical and supply chain partner.

We fully support every product we sell - for free! Our internal team and external sales engineers can answer any product or application question, no matter the complexity.

Backing up this technical ability is a range of 50,000+ products available from stock for nationwide next day delivery (same day if required!), or you can collect what you need from any of our trade counters around the UK.

Select your specialist interest below to learn more about how we can help.



Online, In Branch and On the Road - Scattergood & Johnson Ltd, there when you need us.

**[www.scatts.co.uk](http://www.scatts.co.uk)**