

Cable gland - HC-B-G-M20-EC-AL

1411439

<https://www.phoenixcontact.com/gb/products/1411439>

Please be informed that the data shown in this PDF document is generated from our Online Catalog. Please find the complete data in the user documentation. Our General Terms of Use for Downloads are valid.

EVO EMC cable gland with bayonet locking, B series, size M20, cable diameter: 9 ... 13 mm



Cable gland - HC-B-G-M20-EC-AL



1411439

<https://www.phoenixcontact.com/gb/products/1411439>

Commercial Data

Item number	1411439
Packing unit	1 pc
Minimum order quantity	1 pc
Sales Key	BF7APM
Product Key	BF7APM
Catalog Page	Page 605 (C-2-2019)
GTIN	4046356932370
Weight per Piece (including packing)	75.9 g
Weight per Piece (excluding packing)	75.9 g
Customs tariff number	85389099
Country of origin	DE

Cable gland - HC-B-G-M20-EC-AL



1411439

<https://www.phoenixcontact.com/gb/products/1411439>

Technical Data

Product properties

Product type	Cable gland with bayonet locking
No. of conductors	1
Type of the screw connection	M20
Shielded	yes

Dimensions

Dimensional drawing	
Width	54 mm
Height	54.8 mm
Depth	54.8 mm
Wrench size, union nut	22 mm

Material specifications

Color	silver
Material	Die-cast aluminum, corrosion-resistant
Sealing material	NBR (O-ring) NBR ()
Material, pressure screw	Nickel-plated brass
Cable seal material	NBR
Cable gland material	Aluminum
Housing material	Die-cast aluminum, corrosion resistant

Cable / line

Cable structure

External cable diameter	9 mm ... 12 mm
-------------------------	----------------

Master cable data/connection data

Tightening torque, union nut	7.50 Nm
------------------------------	---------

Mechanical properties

Mechanical data

Type of the screw connection	M20
------------------------------	-----

Environmental and real-life conditions

Ambient conditions

Degree of protection	IP66
----------------------	------

Cable gland - HC-B-G-M20-EC-AL



1411439

<https://www.phoenixcontact.com/gb/products/1411439>

	IP67
Degree of protection	4 (UL 50e)
	4X (UL 50e)
	12 (UL 50e)
Ambient temperature (operation)	-40 °C ... 125 °C (static)

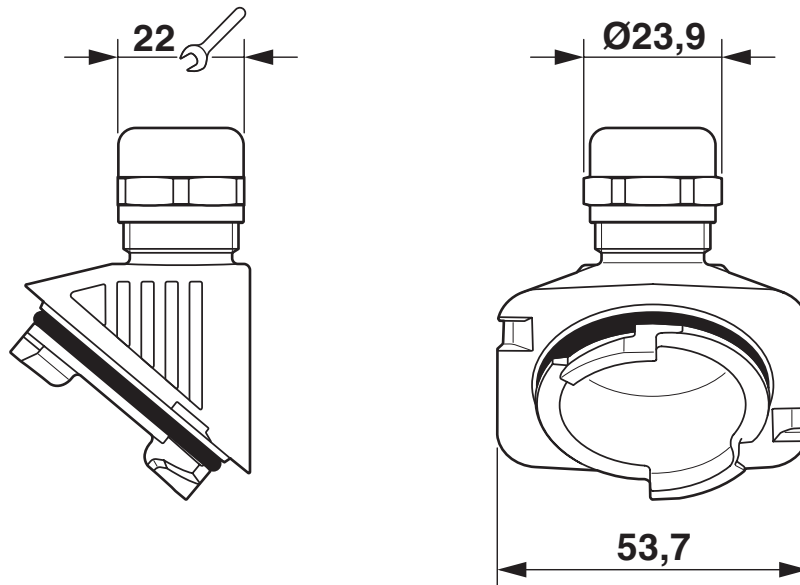
Cable gland - HC-B-G-M20-EC-AL

1411439

<https://www.phoenixcontact.com/gb/products/1411439>

Drawings

Dimensional drawing



Dimensional drawing

Cable gland - HC-B-G-M20-EC-AL



1411439

<https://www.phoenixcontact.com/gb/products/1411439>

Approvals



cUL Recognized
Approval ID: E255026



UL Recognized
Approval ID: E255026



EAC
Approval ID: RU C-DE.AI30.B.01102



EAC
Approval ID: RU D-DE.HB35.B.00387

cULus Recognized

Cable gland - HC-B-G-M20-EC-AL



1411439

<https://www.phoenixcontact.com/gb/products/1411439>

Classifications

ECLASS

ECLASS-9.0	27144432
ECLASS-10.0.1	27144432
ECLASS-11.0	27144432

ETIM

ETIM 8.0	EC000441
----------	----------

UNSPSC

UNSPSC 21.0	39121300
-------------	----------

Cable gland - HC-B-G-M20-EC-AL



1411439

<https://www.phoenixcontact.com/gb/products/1411439>

Environmental Product Compliance

REACH SVHC	Lead 7439-92-1
China RoHS	Environmentally Friendly Use Period = 50 years
	For information on hazardous substances, refer to the manufacturer's declaration available under "Downloads"

Phoenix Contact 2022 © - all rights reserved

<https://www.phoenixcontact.com>

PHOENIX CONTACT Ltd
Halesfield 13, Telford
Shropshire, TF7 4PG
01952 681700
info@phoenixcontact.co.uk



**SCATTERGOOD
& JOHNSON LTD**
ELECTRICAL ENGINEERING & FLUID CONTROL DISTRIBUTORS

Est.1899

At Scattergood & Johnson Ltd, we pride ourselves on being a technical distributor to specialist industries.

Working with a range of quality product manufacturers across a number of specialist markets, we are not your average 'box shifter' - we are your technical and supply chain partner.

We fully support every product we sell - for free! Our internal team and external sales engineers can answer any product or application question, no matter the complexity.

Backing up this technical ability is a range of 50,000+ products available from stock for nationwide next day delivery (same day if required!), or you can collect what you need from any of our trade counters around the UK.

Select your specialist interest below to learn more about how we can help.



Online, In Branch and On the Road - Scattergood & Johnson Ltd, there when you need us.

www.scatts.co.uk