

Housing - HC-STA-D07-BWS-EL-AL



1419249

<https://www.phoenixcontact.com/gb/products/1419249>

Please be informed that the data shown in this PDF document is generated from our Online Catalog. Please find the complete data in the user documentation. Our General Terms of Use for Downloads are valid.



Panel mounting base D7, with single locking latch, material: Die-cast aluminum, salt water resistant, height: 25.5 mm, cable gland: none, Standard

Housing - HC-STA-D07-BWS-EL-AL



1419249

<https://www.phoenixcontact.com/gb/products/1419249>

Commercial Data

Item number	1419249
Packing unit	1 pc
Minimum order quantity	1 pc
Sales Key	BF7APF
Product Key	BF7APF
Catalog Page	Page 517 (C-2-2019)
GTIN	4055626159805
Weight per Piece (including packing)	20.2 g
Weight per Piece (excluding packing)	18.8 g
Customs tariff number	85389099
Country of origin	CN

Housing - HC-STA-D07-BWS-EL-AL



1419249

<https://www.phoenixcontact.com/gb/products/1419249>

Technical Data

Notes

General	for contact inserts HC-A03, A04, D07, D08, Q02, Q03, Q04, Q05, Q07, Q12
---------	-------------------------------------------------------------------------

Product properties

Type	D7
Product type	Housing with locking latch
Application	Standard
Housing type	Panel mounting base
Locking type	with single locking latch
Shielded	no
Pg screw connection	none

Dimensions

Dimensional drawing	
Width	34.2 mm
Height	25.5 mm
Length	24.2 mm
Drill hole distance, horizontal	30 mm
Hole diameter	3.2 mm

Installation dimensions

Width of the assembly cutout	21 mm
Length of the assembly cutout	21 mm

Material specifications

Color	gray aluminum
Flammability rating according to UL 94	V0 (Interlock)
Sealing material	NBR (Flat gasket, conductive)
Housing surface material	uncoated
Locking latch material	PA
Impact strength	IK06
Housing material	Die-cast aluminum, salt water resistant

Ambient conditions

Degree of protection	IP66 IP67
Impact strength	IK06
Ambient temperature (operation)	-40 °C ... 125 °C

Housing - HC-STA-D07-BWS-EL-AL



1419249

<https://www.phoenixcontact.com/gb/products/1419249>

Mechanical properties

Mechanical data

Locking type	Latch
--------------	-------

Housing - HC-STA-D07-BWS-EL-AL

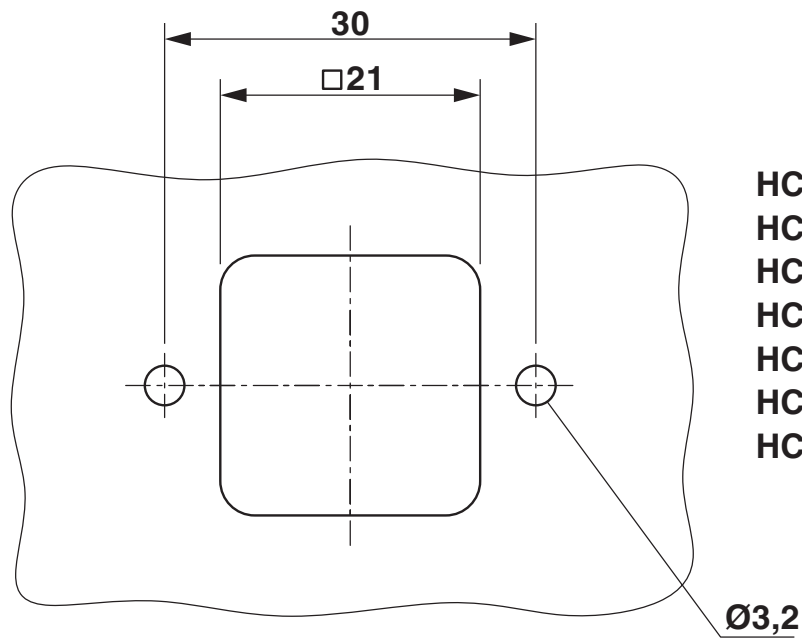


1419249

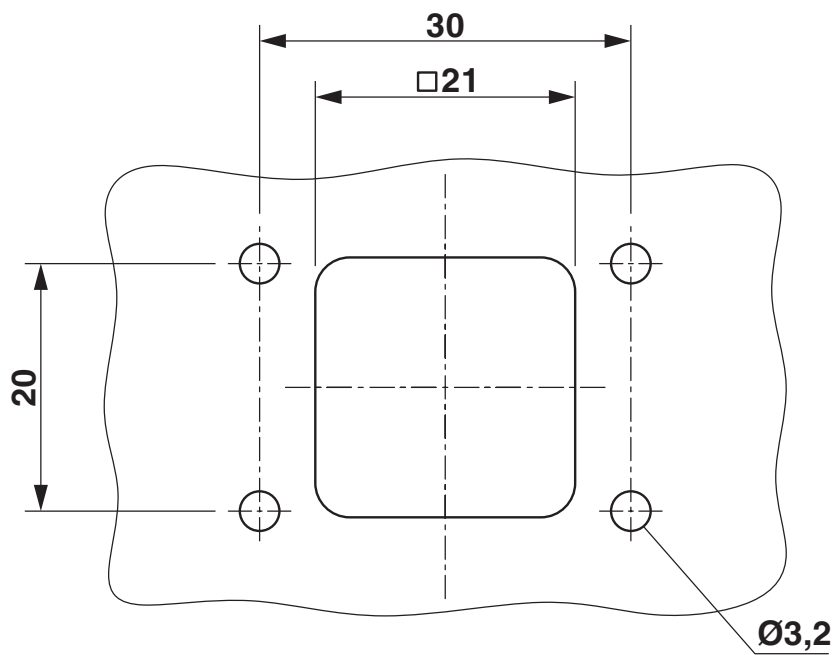
<https://www.phoenixcontact.com/gb/products/1419249>

Drawings

Dimensional drawing



- HC-A03
- HC-A04
- HC-D07
- HC-D08
- HC-Q05
- HC-Q07
- HC-Q12



- HC-Q02
- HC-Q03
- HC-Q04

Mounting cutout

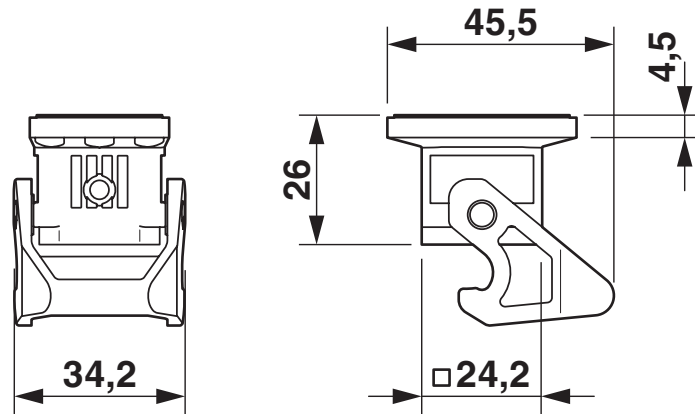
Housing - HC-STA-D07-BWS-EL-AL

1419249

<https://www.phoenixcontact.com/gb/products/1419249>



Dimensional drawing



Dimensional drawing

Housing - HC-STA-D07-BWS-EL-AL



1419249

<https://www.phoenixcontact.com/gb/products/1419249>

Approvals

DNV

Approval ID: TAE000037S

**cUL Recognized**

Approval ID: E255026

**UL Recognized**

Approval ID: E255026

**EAC**

Approval ID: RU C-DE.AI30.B.01102

**EAC**

Approval ID: RU C-DE.BL08.B.00511

cULus Recognized

Housing - HC-STA-D07-BWS-EL-AL



1419249

<https://www.phoenixcontact.com/gb/products/1419249>

Classifications

ECLASS

ECLASS-9.0	27440202
ECLASS-10.0.1	27440202
ECLASS-11.0	27440202

ETIM

ETIM 8.0	EC000437
----------	----------

UNSPSC

UNSPSC 21.0	31261500
-------------	----------

Housing - HC-STA-D07-BWS-EL-AL



1419249

<https://www.phoenixcontact.com/gb/products/1419249>

Environmental Product Compliance

China RoHS	Environmentally Friendly Use Period = 50 years For information on hazardous substances, refer to the manufacturer's declaration available under "Downloads"
------------	----------------------------------------------------------------------------------------------------------------------------------------------------------------

Phoenix Contact 2022 © - all rights reserved
<https://www.phoenixcontact.com>

PHOENIX CONTACT Ltd
Halesfield 13, Telford
Shropshire, TF7 4PG
01952 681700
info@phoenixcontact.co.uk



**SCATTERGOOD
& JOHNSON LTD**
ELECTRICAL ENGINEERING & FLUID CONTROL DISTRIBUTORS

Est.1899

At Scattergood & Johnson Ltd, we pride ourselves on being a technical distributor to specialist industries.

Working with a range of quality product manufacturers across a number of specialist markets, we are not your average 'box shifter' - we are your technical and supply chain partner.

We fully support every product we sell - for free! Our internal team and external sales engineers can answer any product or application question, no matter the complexity.

Backing up this technical ability is a range of 50,000+ products available from stock for nationwide next day delivery (same day if required!), or you can collect what you need from any of our trade counters around the UK.

Select your specialist interest below to learn more about how we can help.



Online, In Branch and On the Road - Scattergood & Johnson Ltd, there when you need us.

www.scatts.co.uk