

Terminal adapter - HC-B 16-A-DT-PER-F

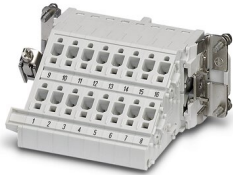


1648458

<https://www.phoenixcontact.com/gb/products/1648458>

Please be informed that the data shown in this PDF document is generated from our Online Catalog. Please find the complete data in the user documentation. Our General Terms of Use for Downloads are valid.

HEAVYCON terminal adapter socket insert, B16 series, 16-pos., for the right side of the control cabinet, push-in connection



Your advantages

- Easy installation without tools, even when mounted, with push-in connection technology
- Shortest installation time compared to other connection technologies
- Quick and effortless wiring, in particular when space is tight
- Automatic cabling with robots possible
- Safe wiring and operation with color-coded actuators
- Shock and vibration-resistant in accordance with DIN EN 61373

Terminal adapter - HC-B 16-A-DT-PER-F



1648458

<https://www.phoenixcontact.com/gb/products/1648458>

Commercial Data

| | |
|--------------------------------------|---------------------|
| Item number | 1648458 |
| Packing unit | 5 pc |
| Minimum order quantity | 1 pc |
| Sales Key | BF7ADC |
| Product Key | BF7ADC |
| Catalog Page | Page 549 (C-2-2019) |
| GTIN | 4046356092173 |
| Weight per Piece (including packing) | 141.9 g |
| Weight per Piece (excluding packing) | 133.06 g |
| Customs tariff number | 85366990 |
| Country of origin | CN |

Terminal adapter - HC-B 16-A-DT-PER-F



1648458

<https://www.phoenixcontact.com/gb/products/1648458>

Technical Data

Notes

| | |
|---------|---|
| General | For HEAVYCON-ADVANCE mounting flange and HEAVYCON panel mounting base of B16 type |
| General | Connectors may be operated only when there is no load/voltage. |

Product properties

| | |
|---------------------|--|
| Type | B16 |
| Product type | Terminal adapter |
| Number of positions | 16 |
| Connection profile | 16+PE |
| Type | Socket for the right side of the control cabinet |
| Series | HC-B |

Insulation characteristics

| | |
|----------------------|-----|
| Overvoltage category | III |
| Degree of pollution | 3 |

Electrical properties

| | |
|-----------------------|----------------|
| Rated voltage (III/3) | 500 V |
| Rated surge voltage | 6 kV |
| Rated current | 16 A |
| SCCR | 5 kA (UL 2237) |

Connection data

Connection technology

| | |
|-----------------------|--------------------|
| Connection technology | Push-in connection |
|-----------------------|--------------------|

Conductor connection

| | |
|---|------------------------------------|
| Connection cross section AWG | 22 ... 12 |
| Stripping length of the individual wire | 10 mm (13 mm if ferrules are used) |

Dimensions

| | |
|---------------------|---------|
| Dimensional drawing | |
| Width | 34 mm |
| Height | 72.1 mm |

Terminal adapter - HC-B 16-A-DT-PER-F



1648458

<https://www.phoenixcontact.com/gb/products/1648458>

| | |
|---------------------------------|---------|
| Length | 84 mm |
| Drill hole distance, horizontal | 77.5 mm |
| Drill hole distance, vertical | 27 mm |

Material specifications

| | |
|--|---|
| Color | light grey |
| Flammability rating according to UL 94 | V0 |
| Contact material | Copper alloy |
| Contact surface material | Ag |
| Contact carrier material | PA |
| Standards/regulations | PA: Fire protection in rail vehicles - requirement sets R22, R23, and R24 acc. to DIN EN 45545-2 (Risk level HL1 - HL3) |

Connector

| | |
|-----------------------------|-------|
| Insertion/withdrawal cycles | ≥ 500 |
|-----------------------------|-------|

Cable / line

Cable structure

| | |
|---|------------------------------------|
| Stripping length of the individual wire | 10 mm (13 mm if ferrules are used) |
|---|------------------------------------|

Environmental and real-life conditions

Ambient conditions

| | |
|---------------------------------|-------------------|
| Degree of protection | IP20 |
| Degree of protection | IP20 |
| Ambient temperature (operation) | -40 °C ... 125 °C |

Standards and regulations

| | |
|--|--------------|
| Constructional and testing regulations | DIN EN 61984 |
| | DIN EN 60664 |
| | IEC 60352 |
| Tests | DIN EN 61984 |
| | DIN EN 60664 |
| | IEC 60352 |

Testing

| | |
|-----------------------|---|
| Standards/regulations | PA: Fire protection in rail vehicles - requirement sets R22, R23, and R24 acc. to DIN EN 45545-2 (Risk level HL1 - HL3) |
|-----------------------|---|

Mounting

| | |
|-----------------------|---|
| Assembly instructions | To ensure correct use, installation in housing with IP54 protection or better is required |
| | Connectors may be plugged in only when there is no load/voltage. |

Terminal adapter - HC-B 16-A-DT-PER-F

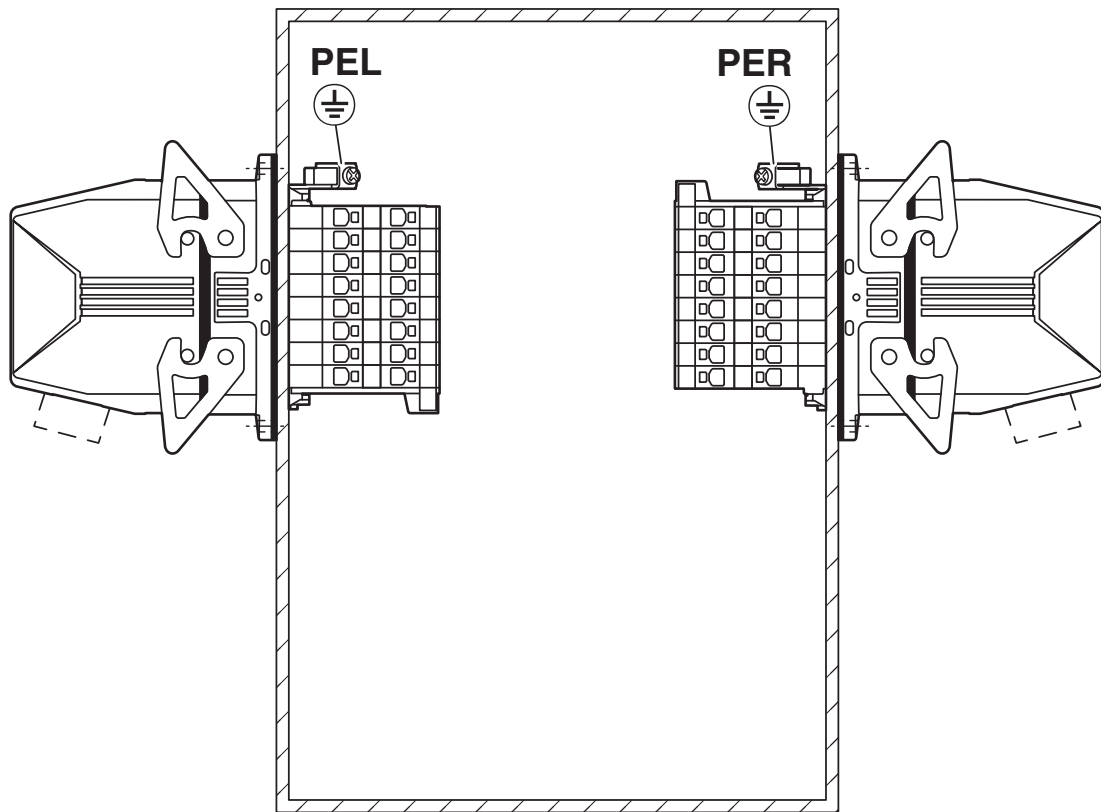


1648458

<https://www.phoenixcontact.com/gb/products/1648458>

Drawings

Application drawing



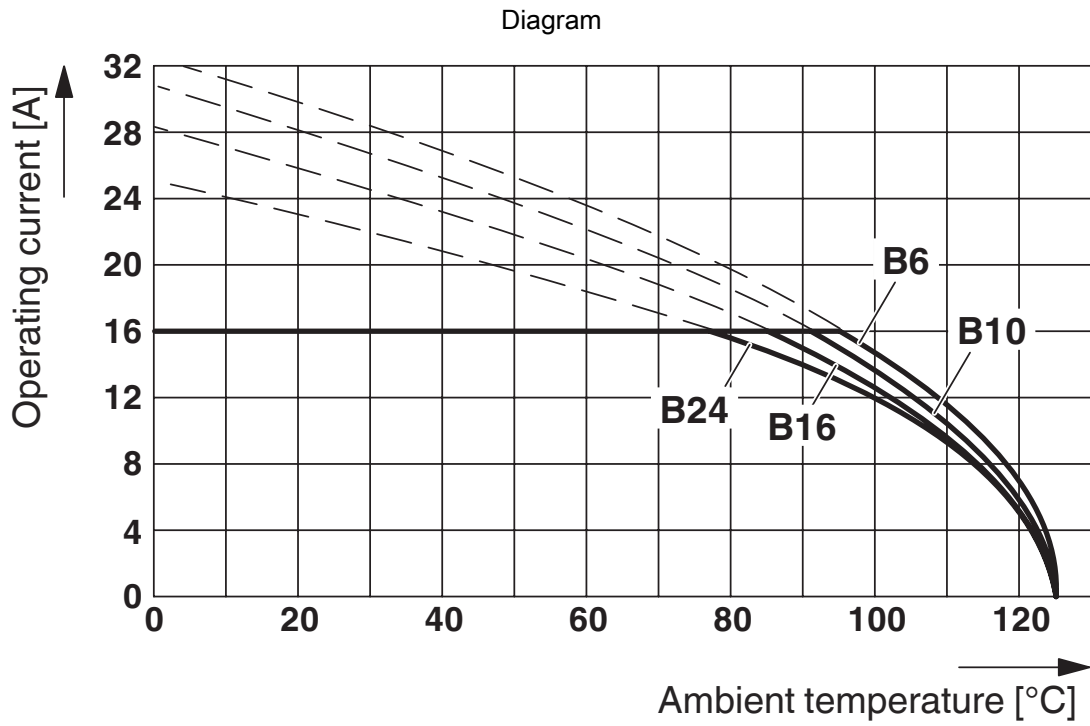
Mounting position PE connection left/right (PEL/PER)

Terminal adapter - HC-B 16-A-DT-PER-F



1648458

<https://www.phoenixcontact.com/gb/products/1648458>



Derating diagram

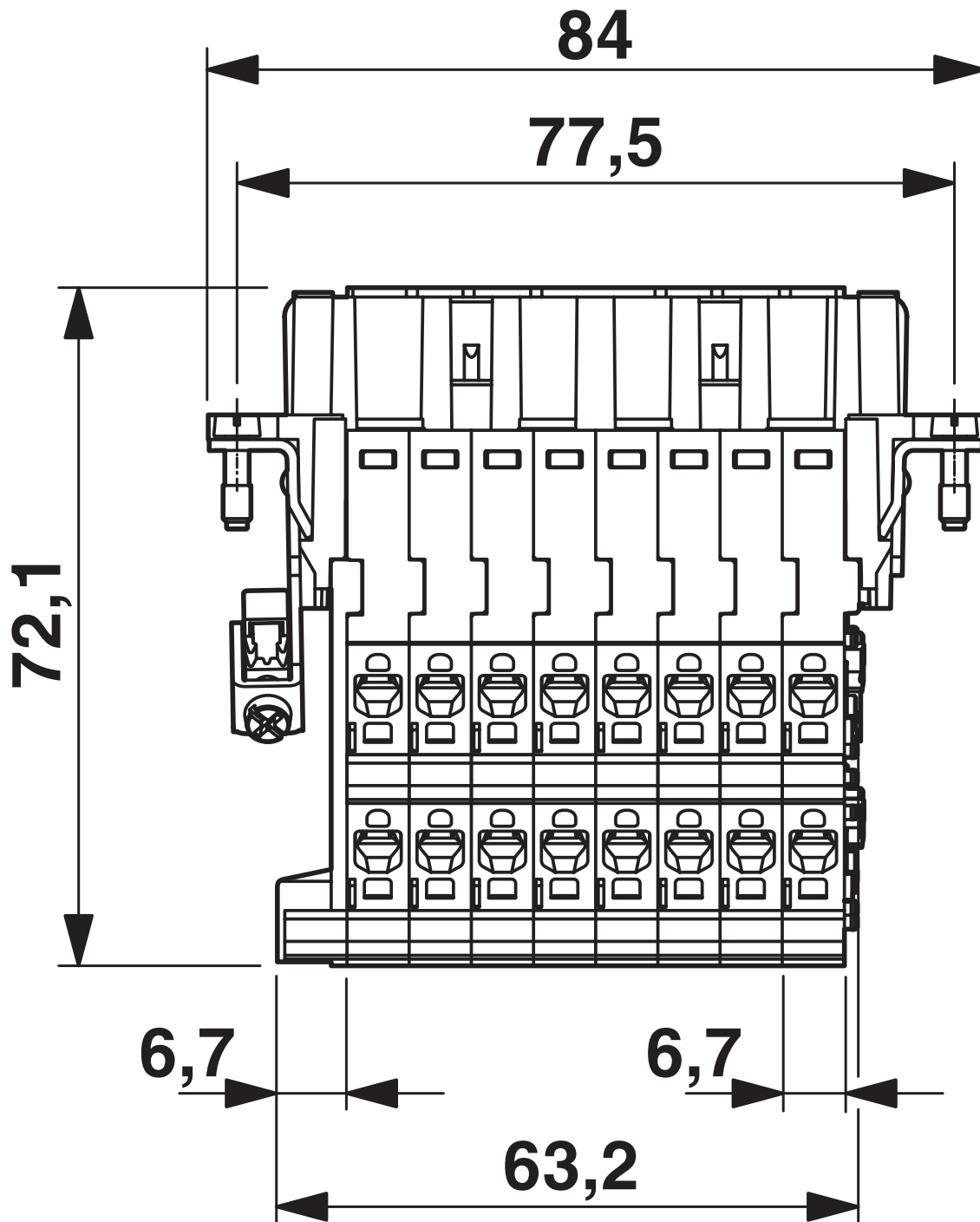
Terminal adapter - HC-B 16-A-DT-PER-F



1648458

<https://www.phoenixcontact.com/gb/products/1648458>

Dimensional drawing



Dimensional drawing

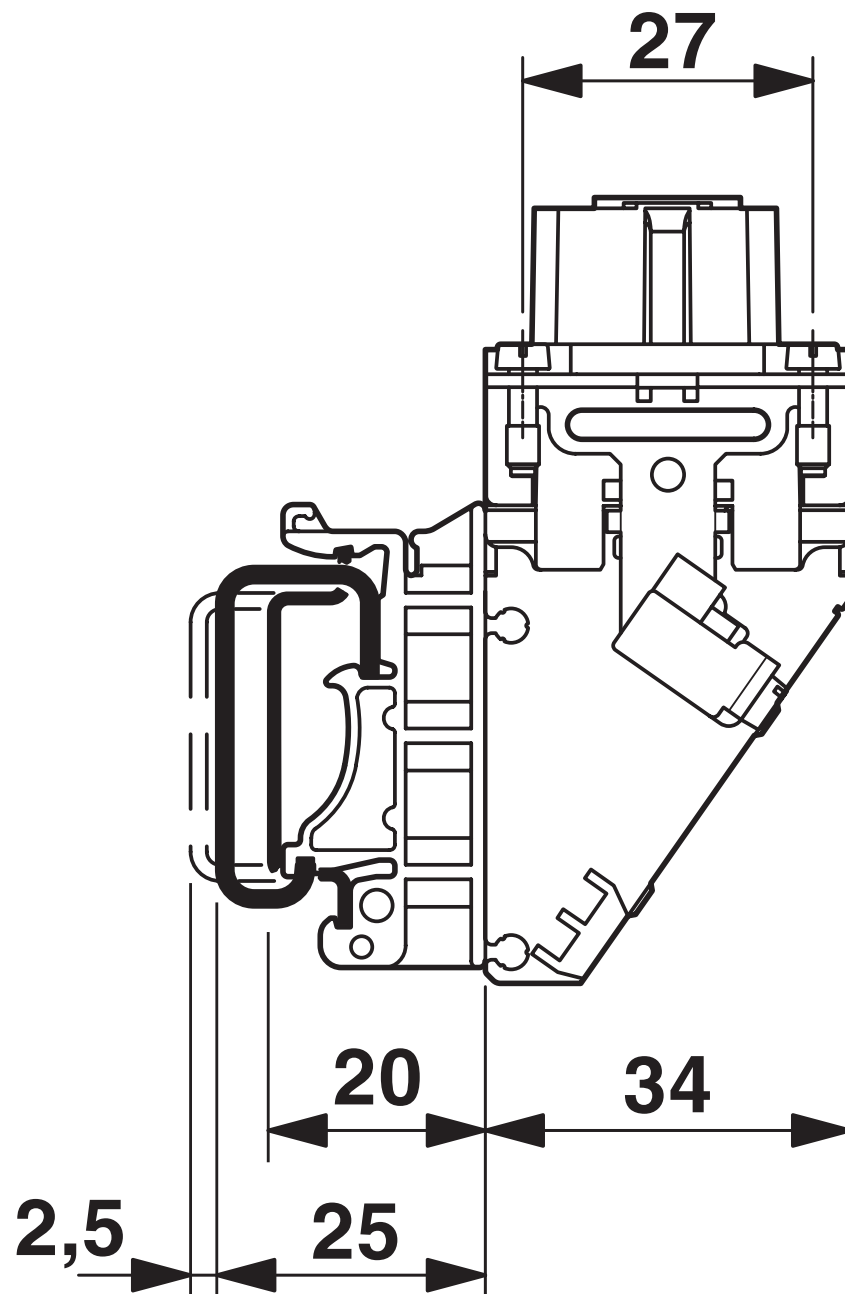
Terminal adapter - HC-B 16-A-DT-PER-F



1648458

<https://www.phoenixcontact.com/gb/products/1648458>

Dimensional drawing



Dimensional drawing, side view

Terminal adapter - HC-B 16-A-DT-PER-F



1648458

<https://www.phoenixcontact.com/gb/products/1648458>

Approvals

**CSA**

Approval ID: 013631_6233_01

**cUL Recognized**

Approval ID: FILE E 118976

**UL Recognized**

Approval ID: FILE E 118976

**EAC**

Approval ID: RU C-DE.AI30.B.01102

**EAC**

Approval ID: RU C-DE.AI30.B.01102

**cULus Recognized**

Approval ID: E468743

| | Nominal Voltage U_N | Nominal Current I_N | Cross Section AWG | Cross Section mm^2 |
|--|-----------------------|-----------------------|-------------------|-----------------------------|
| | 600 V | 13 A | - 14 | - |

**UL Recognized**

Approval ID: FILE E 118976

**CSA**

Approval ID: 013631_6233_01

**cUL Recognized**

Approval ID: FILE E 118976

**EAC**

Approval ID: RU C-DE.BL08.B.00511

Terminal adapter - HC-B 16-A-DT-PER-F



1648458

<https://www.phoenixcontact.com/gb/products/1648458>

Classifications

ECLASS

| | |
|---------------|----------|
| ECLASS-9.0 | 27440222 |
| ECLASS-10.0.1 | 27440222 |
| ECLASS-11.0 | 27440222 |

ETIM

| | |
|----------|----------|
| ETIM 8.0 | EC000438 |
|----------|----------|

UNSPSC

| | |
|-------------|----------|
| UNSPSC 21.0 | 39121500 |
|-------------|----------|

Terminal adapter - HC-B 16-A-DT-PER-F



1648458

<https://www.phoenixcontact.com/gb/products/1648458>

Environmental Product Compliance

| | |
|------------|--|
| REACH SVHC | Lead 7439-92-1 |
| China RoHS | Environmentally Friendly Use Period = 50 years |
| | For information on hazardous substances, refer to the manufacturer's declaration available under "Downloads" |

Phoenix Contact 2022 © - all rights reserved

<https://www.phoenixcontact.com>

PHOENIX CONTACT Ltd
Halesfield 13, Telford
Shropshire, TF7 4PG
01952 681700
info@phoenixcontact.co.uk



**SCATTERGOOD
& JOHNSON LTD**
ELECTRICAL ENGINEERING & FLUID CONTROL DISTRIBUTORS

Est.1899

At Scattergood & Johnson Ltd, we pride ourselves on being a technical distributor to specialist industries.

Working with a range of quality product manufacturers across a number of specialist markets, we are not your average 'box shifter' - we are your technical and supply chain partner.

We fully support every product we sell - for free! Our internal team and external sales engineers can answer any product or application question, no matter the complexity.

Backing up this technical ability is a range of 50,000+ products available from stock for nationwide next day delivery (same day if required!), or you can collect what you need from any of our trade counters around the UK.

Select your specialist interest below to learn more about how we can help.



Online, In Branch and On the Road - Scattergood & Johnson Ltd, there when you need us.

www.scatts.co.uk