

Y distributor - SAC-5P-M12Y/2XM12FS VP



1683468

<https://www.phoenixcontact.com/gb/products/1683468>

Please be informed that the data shown in this PDF document is generated from our Online Catalog. Please find the complete data in the user documentation. Our General Terms of Use for Downloads are valid.



Y distributor, 5-position, unshielded, Plug straight M12, coding: A, on Socket straight M12, coding: A and Socket straight M12, coding: A, Parallel distributor

Y distributor - SAC-5P-M12Y/2XM12FS VP



1683468

<https://www.phoenixcontact.com/gb/products/1683468>

Commercial Data

Item number	1683468
Packing unit	5 pc
Minimum order quantity	5 pc
Sales Key	BF1GAB
Product Key	BF1GAB
Catalog Page	Page 253 (C-2-2019)
GTIN	4017918166915
Weight per Piece (including packing)	28.69 g
Weight per Piece (excluding packing)	28 g
Customs tariff number	85366990
Country of origin	PL

Y distributor - SAC-5P-M12Y/2XM12FS VP



1683468

<https://www.phoenixcontact.com/gb/products/1683468>

Technical Data

Notes

General	with center distance of 18 mm, suitable for molded connectors and unshielded connectors that can be assembled with QUICKON IDC terminal block connection technology and a connection range of 0.14 mm ² to 0.34 mm ²
---------	--

Product properties

Product type	Y-distributor
Number of positions	5
No. of cable outlets	2
Shielded	no
Coding	A - standard
Thread type	M12

Insulation characteristics

Overvoltage category	II
Degree of pollution	3

Electrical properties

Insulation resistance	≥ 100 MΩ
Nominal voltage U _N	48 V AC
	60 V DC
Nominal current I _N	4 A

LED signaling

Status display	No
Status display present	No

Dimensions

Dimensional drawing	
Width	32.8 mm
Height	14.8 mm
Length	50.1 mm
Center distance	18 mm

Material specifications

Flammability rating according to UL 94	HB
Sealing material	NBR
Material of grip body	TPU, hardly inflammable, self-extinguishing

Y distributor - SAC-5P-M12Y/2XM12FS VP



1683468

<https://www.phoenixcontact.com/gb/products/1683468>

Contact material	CuZn
Contact surface material	Ni/Au
Contact carrier material	TPU GF
Cable gland material	Zinc die-cast, nickel-plated

Connector

Insertion/withdrawal cycles	≥ 100
-----------------------------	-------

Header 1

Head design	Plug
Head cable outlet	straight
Head thread type	M12
Coding	A

Header 2

Head design	Socket
Head cable outlet	straight
Head thread type	M12
Coding	A

Environmental and real-life conditions

Ambient conditions

Degree of protection	IP65
	IP67
Ambient temperature (operation)	-25 °C ... 90 °C (Plug / socket)

Standards and regulations

M12

Standards/specifications	IEC 61076-2-101
--------------------------	-----------------

Y distributor - SAC-5P-M12Y/2XM12FS VP

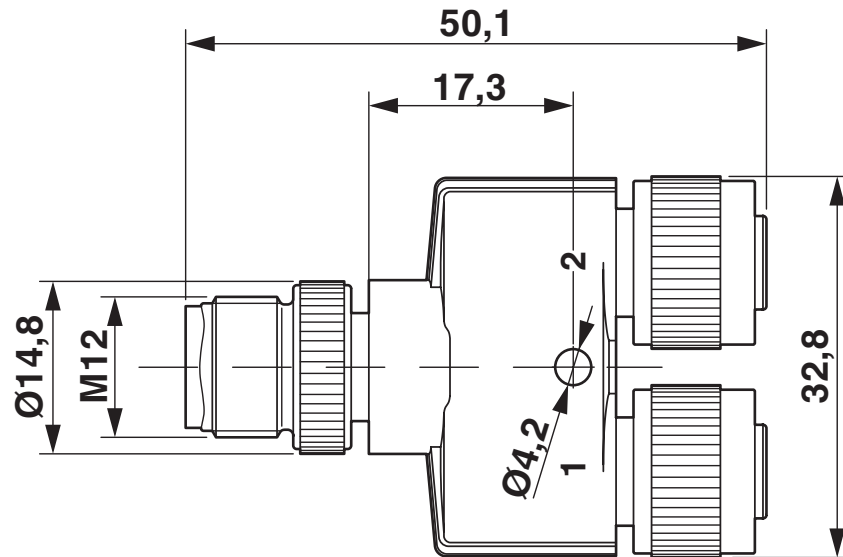


1683468

<https://www.phoenixcontact.com/gb/products/1683468>

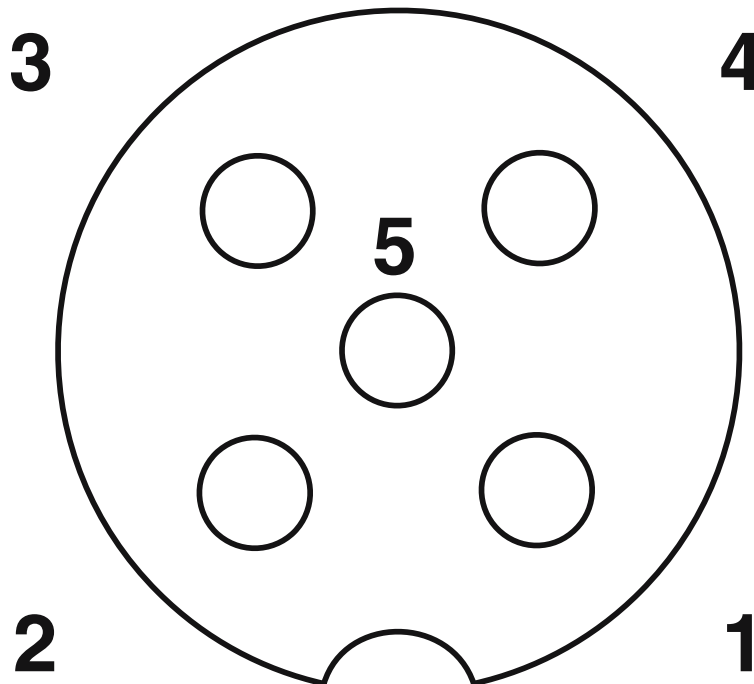
Drawings

Dimensional drawing



M12 Y distributor

Schematic diagram



Pin assignment M12 socket, 5-pos., A-coded, socket side view

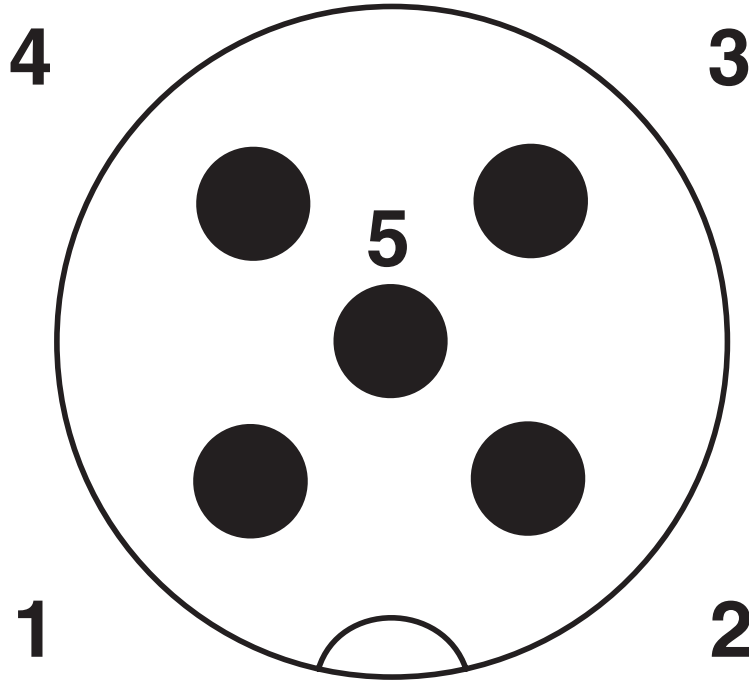
Y distributor - SAC-5P-M12Y/2XM12FS VP

1683468

<https://www.phoenixcontact.com/gb/products/1683468>

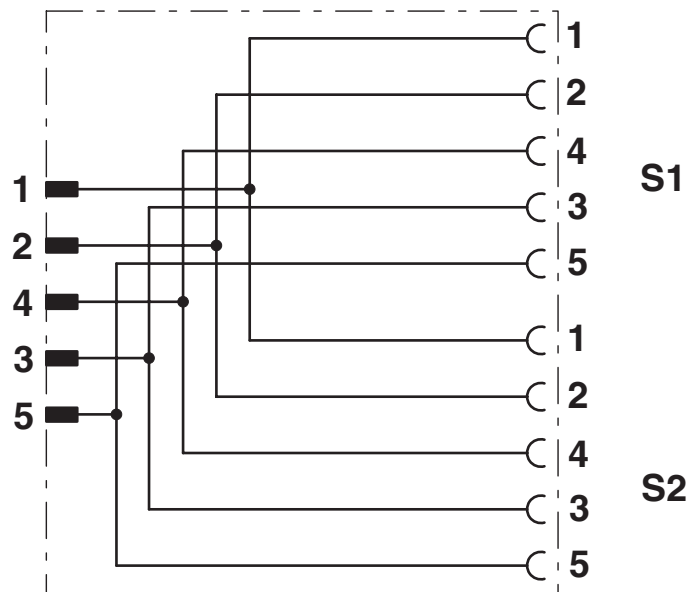


Schematic diagram



Pin assignment M12 male connector, 5-pos., A-coded, male side

Circuit diagram



Contact assignment of the M12 Y distributor

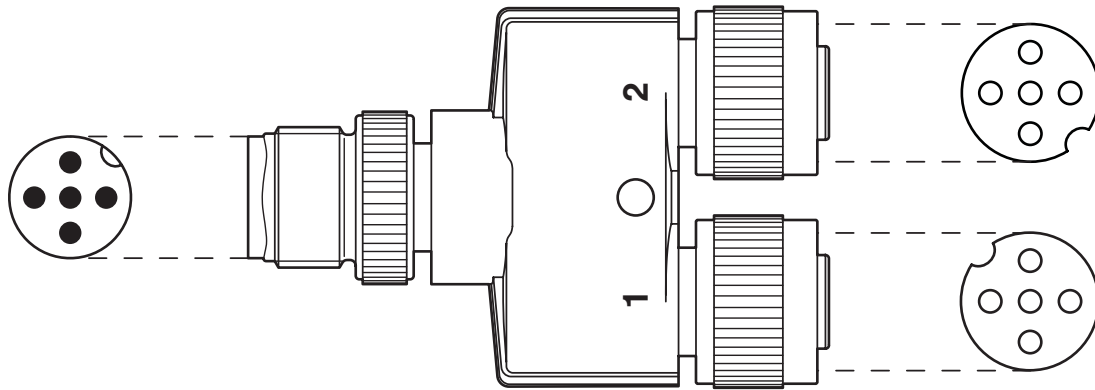
Y distributor - SAC-5P-M12Y/2XM12FS VP



1683468

<https://www.phoenixcontact.com/gb/products/1683468>

Schematic diagram



Layout of connector pin assignments

Y distributor - SAC-5P-M12Y/2XM12FS VP



1683468

<https://www.phoenixcontact.com/gb/products/1683468>

Approvals

**EAC**

Approval ID: RU C-DE.AI30.B.01102

**EAC**

Approval ID: RU C-DE.BL08.B.00511

**UL Listed**

Approval ID: E221474

	Nominal Voltage U_N	Nominal Current I_N	Cross Section AWG	Cross Section mm^2
	30 V	4 A	-	-

**cUL Listed**

Approval ID: E221474

	Nominal Voltage U_N	Nominal Current I_N	Cross Section AWG	Cross Section mm^2
	30 V	4 A	-	-

cULus Listed

Y distributor - SAC-5P-M12Y/2XM12FS VP



1683468

<https://www.phoenixcontact.com/gb/products/1683468>

Classifications

ECLASS

ECLASS-9.0	27440106
ECLASS-10.0.1	27440106
ECLASS-11.0	27440106
ECLASS-12.0	27440106

ETIM

ETIM 8.0	EC002925
----------	----------

UNSPSC

UNSPSC 21.0	31251500
-------------	----------

Y distributor - SAC-5P-M12Y/2XM12FS VP



1683468

<https://www.phoenixcontact.com/gb/products/1683468>

Environmental Product Compliance

REACH SVHC	Lead 7439-92-1
China RoHS	Environmentally friendly use period: unlimited = EFUP-e
	No hazardous substances above threshold values

Phoenix Contact 2022 © - all rights reserved
<https://www.phoenixcontact.com>

PHOENIX CONTACT Ltd
Halesfield 13, Telford
Shropshire, TF7 4PG
01952 681700
info@phoenixcontact.co.uk



**SCATTERGOOD
& JOHNSON LTD**
ELECTRICAL ENGINEERING & FLUID CONTROL DISTRIBUTORS

Est.1899

At Scattergood & Johnson Ltd, we pride ourselves on being a technical distributor to specialist industries.

Working with a range of quality product manufacturers across a number of specialist markets, we are not your average 'box shifter' - we are your technical and supply chain partner.

We fully support every product we sell - for free! Our internal team and external sales engineers can answer any product or application question, no matter the complexity.

Backing up this technical ability is a range of 50,000+ products available from stock for nationwide next day delivery (same day if required!), or you can collect what you need from any of our trade counters around the UK.

Select your specialist interest below to learn more about how we can help.



Online, In Branch and On the Road - Scattergood & Johnson Ltd, there when you need us.

www.scatts.co.uk