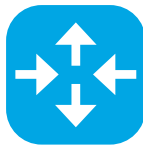




Z-KEY / R-KEY-LT

1 / 2-PORT MODBUS RTU INDUSTRIAL GATEWAY / SERIAL DEVICE SERVER



ModBUS / Ethernet ↔ Serial Gateway



ModBUS / Serial ↔ Ethernet Gateway



ModBUS Gateway with tags



Serial Device Server



Z-KEY / R-KEY-LT

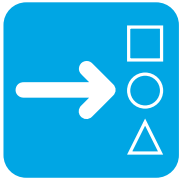
1 / 2-PORT MODBUS RTU INDUSTRIAL GATEWAY / SERIAL DEVICE SERVER



Z-KEY and R-KEY-LT are devices that can extend networks and enable the passing of data process between different layers of the communication IT and OT. They ensure the transmission of signals between ModBUS TCP-IP / Mod-BUS RTU/ASCII in different modes, effectively increasing the number of nodes that can be connected and the distances that can be reached in the network. The devices can extend the serial network as well by operating as Serial Servers transparent to the serial communication protocol. Equipped of 1 Fast Ethernet 10/100 Tx port and 1 or 2 serial ports (RS232/RS485, RS485), Z-KEY and R-KEY-LT offers multiple configuration options thanks to EASY SET-UP 2 (PC software), web server and software tools such as SDD (Seneca Discovery Device), SESC (Seneca Ethernet to Serial Connection). Advanced features include advanced serial diagnostics and “quarantine” mode with set-table time for failing devices.

HIGHLIGHTS

MULTIFUNCTION GATEWAYS



BUILT-IN WEBSERVER



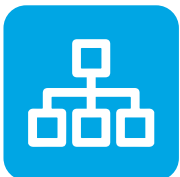
MAXIMUM FLEXIBILITY OF CONFIGURATION



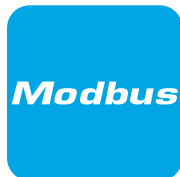
EXCEL TEMPLATE FOR ASSIGNMENT AND EXPORT TAGS



SUPPORT UP TO 8 SIMULTANEOUS MODBUS TCP-IP CLIENTS



SUPPORT UP TO 128 MODBUS RTU SLAVE NODES AND 10 MODBUS TCP-IP SERVERS



AUTOMATIC SCANNING FOR SEARCHING CONNECTED IP ADDRESSES



FIRMWARE UPDATE VIA WEB SERVER



QUARANTINE MODE WITH TIME SET UP



TRANSPARENT TO SERIAL COMMUNICATION PROTOCOL



WIDE OPERATING TEMPERATURE



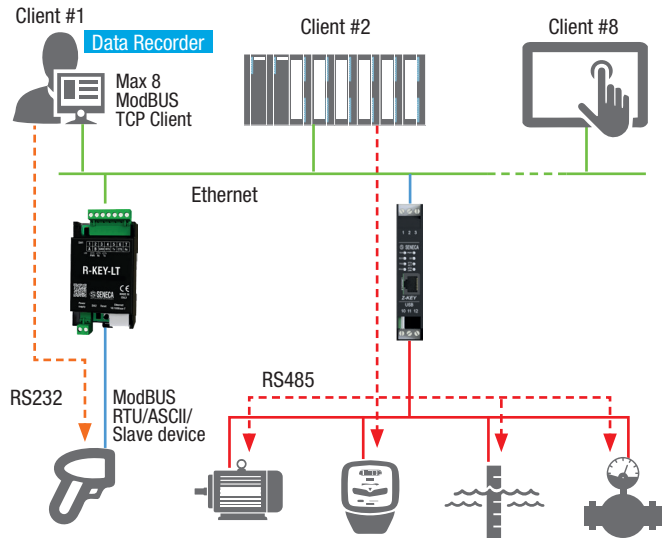
UL APPROVAL



APPLICATION EXAMPLES

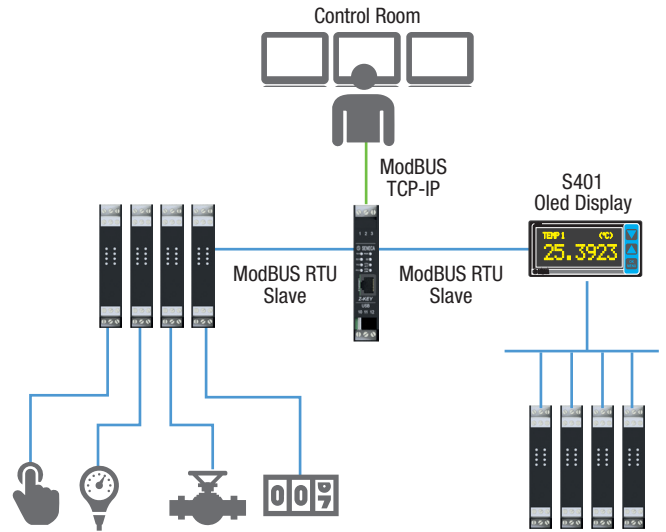
MODBUS GATEWAY

MODBUS TCP-IP → MODBUS RTU



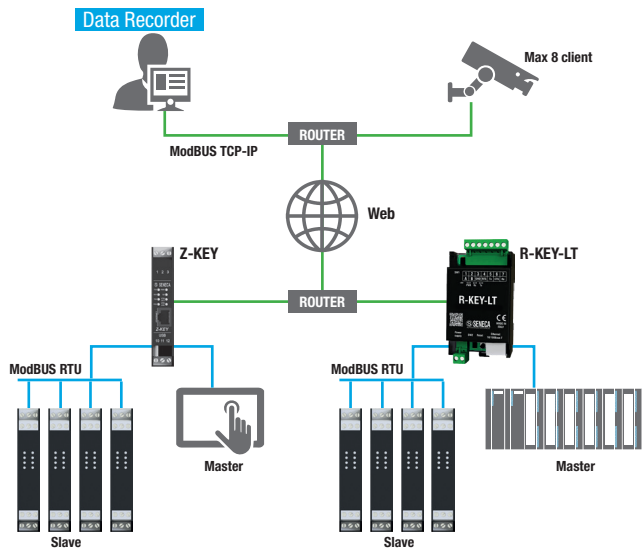
MODBUS GATEWAY

MODBUS TCP-IP → MODBUS RTU



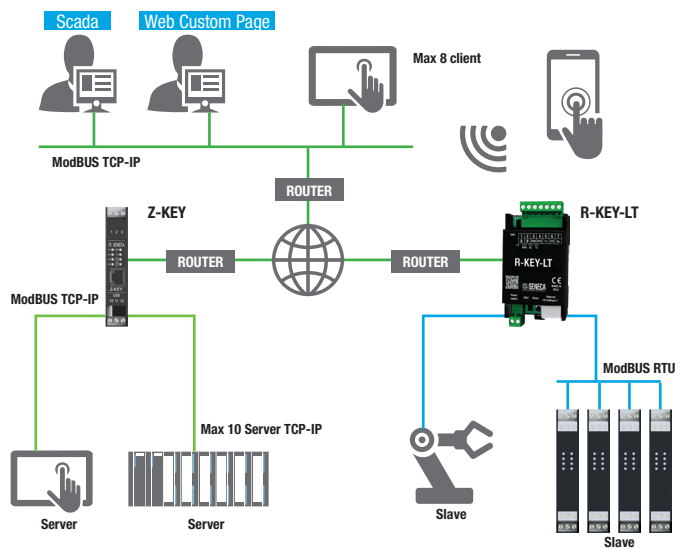
MODBUS GATEWAY WITH TAGS

MODBUS TCP-IP → MODBUS RTU MASTER/SLAVE



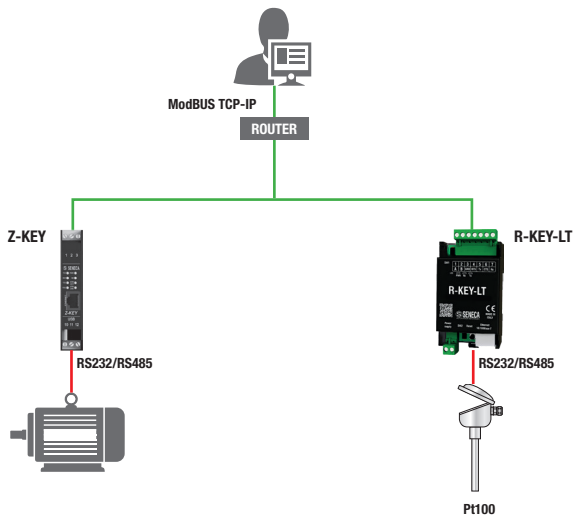
MODBUS GATEWAY WITH TAGS

MODBUS TCP-IP CLIENT → ModBUS RTU Slave / ModBUS TCP-IP Server



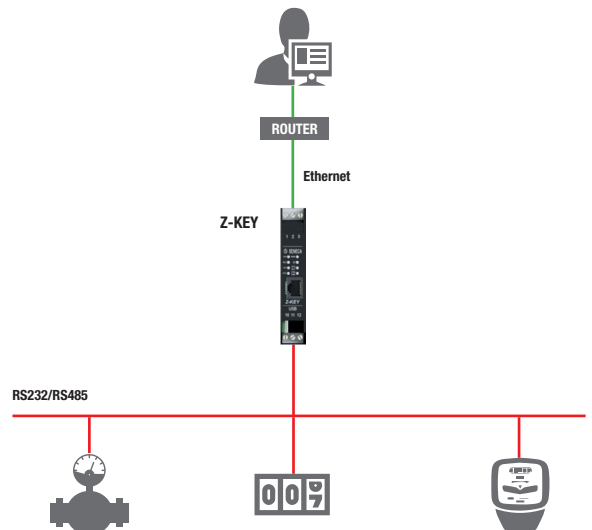
SERIAL DEVICE SERVER

SESC - ETH ↔ Serial



SERIAL DEVICE SERVER

SESC - ETH ↔ Serial



Z-KEY / R-KEY-LT

R-KEY-LT



1-Port ModBUS RTU/ASCII Industrial Gateway / Serial Device Server

Z-KEY



2-Port ModBUS RTU/ASCII Industrial Gateway / Serial Device Server

GENERAL DATA

Power Supply	10..40 Vdc; 19..28 Vac	10..40 Vdc; 19..28 Vac
Power Consumption	Max 1 W	2 W @ 24 Vac (typical)
LED - Status indicators	Power Supply Rx/Tx RS232/R485 Ethernet ACT/LNK	Power Supply Rx/Tx RS232/R485 (port 1) Rx/Tx RS232/R485 (port 2) Ethernet ACT/LNK
Isolation	1,5 kVac a 2 vie (Power//Eth)	1,5 kVac a 3 vie (Power//Eth//Ser)
Protection degree	IP20	IP20
Operating temperature	-20..+70°C	-20..+70°C
Connections	7-way removable screw terminal, 5 mm pitch 2-way removable screw terminal, 5 mm pitch Connector on the bottom side RJ45 for Ethernet	Removable 3-way screw terminals, 5 mm pitch IDC10 rear connector for DIN rail 46277 RJ45 front connector
Dimension (wxhxd)	32 x 90 x 53 mm	17,5 x 112 x 100 mm
Weght	80 g	170 g
Case	PC/ABS self-extinguishing UL94-V0 gray color RAL 7035	Nylon PA6 30% glass fiber, self-extinguishing class V0
Mounting	For DIN Rail (IEC EN 60715)	For DIN Rail (IEC EN 60715)
Approval	CE, UL	CE, UL

COMMUNICATION

Ethernet port	Nr.1 Fast Ethernet 100 Tx, RJ45 frontal port Up to 8 TCP-IP Clients Up to 10 TCP/IP Servers	Nr.1 Fast Ethernet 100 Tx, RJ45 frontal port Up to 8 TCP-IP Clients Up to 10 TCP/IP Servers
Serial ports	Nr.1 RS232 or RS485 serial port, max. baud rate 115kbps on connector	Nr.1 serial port on terminals, switchable RS232 / RS485, max baud rate 115kbps on connector No. 1 RS485 port on IDC10 connector for bus, baud rate max 115kbps
Communication protocols	ModBUS TCP-IP ModBUS RTU Modbus ASCII	ModBUS TCP-IP ModBUS RTU Modbus ASCII
Operating modes	ModBUS / Ethernet ↔ Serial Gateway ModBUS / Serial ↔ Ethernet Gateway Modbus Gateway con tag Serial Device Server	ModBUS / Ethernet ↔ Serial Gateway ModBUS / Serial ↔ Ethernet Gateway Modbus Gateway con tag Serial Device Server
Connectivity	Max 8 Modbus TCP-IP Clients (Server Mode) Max 500 variables (tags) Max 10 Modbus TCP-IP Servers (Client Mode) 128 ModBUS RTU/ASCII Slave Nodes	Max 8 Modbus TCP-IP Clients (Server Mode) Max 500 variables (tags) Max 10 Modbus TCP-IP Servers (Client Mode) 128 ModBUS RTU/ASCII slave nodes (per port)

SETTINGS AND ADVANCED FUNCTIONS

Programming	EASY SETUP 2, Web Server, DIP-switch	EASY SETUP 2, Web Server, DIP-switch
Tools	SDD (Seneca Discovery Device), SESC (Seneca Ethernet to Serial Connection)	SDD (Seneca Discovery Device), SESC (Seneca Ethernet to Serial Connection)
Traffic Monitor	Yes	Yes

ORDER CODES

Code	Description
------	-------------

GATEWAYS

R-KEY-LY	1-Port ModBUS RTU/ASCII Industrial Gateway / Serial Device Server
Z-KEY-0	2-Port ModBUS RTU/ASCII Industrial Gateway / Serial Device Server

SOFTWARE TOOLS

EASY SETUP 2	SENECA programmable device configurator
TEMP-TAG-Z-KEY	Excel template gateway mode tag management

ACCESSORIES

CS-DB9M-MEF-PH	Serial communication cable (DB9M connector / 4-way female connector) 3 wires mt 1.5
CE-RJ45-RJ45-R	Straight ethernet cable (RJ45 / RJ45)
Z-PC-DIN2-17.5	Support for quick mounting on DIN rail 2 slots pitch 17.5 mm
Z-PC-DIN8-17.5	Support for quick mounting on DIN rail 8 slots pitch 17.5 mm
Z-PC-DINAL2-17.5	Support for quick mounting on DIN rail head + 2 slots pitch 17.5 mm
Z-SUPPLY	Single-phase switching power supply 24V @ 1.5 A



Via Austria, 26 • 35127 Padova - (I) - Tel. +39 049 87.05.359
Fax +39 049 87.06.287 • www.seneca.it • info@seneca.it

The material in this document is for information only and is subject to change without notice. While reasonable efforts have been made in the preparation of this document to assure its accuracy, SENECA assumes no liability resulting from errors or omissions, or from the use of the information contained herein. Reproduction is forbidden unless authorized.



**SCATTERGOOD
& JOHNSON LTD**
ELECTRICAL ENGINEERING & FLUID CONTROL DISTRIBUTORS

Est.1899

At Scattergood & Johnson Ltd, we pride ourselves on being a technical distributor to specialist industries.

Working with a range of quality product manufacturers across a number of specialist markets, we are not your average 'box shifter' - we are your technical and supply chain partner.

We fully support every product we sell - for free! Our internal team and external sales engineers can answer any product or application question, no matter the complexity.

Backing up this technical ability is a range of 50,000+ products available from stock for nationwide next day delivery (same day if required!), or you can collect what you need from any of our trade counters around the UK.

Select your specialist interest below to learn more about how we can help.



Online, In Branch and On the Road - Scattergood & Johnson Ltd, there when you need us.

www.scatts.co.uk