



Experts for your systems

## Ex - Components



- Quality • Reliability • Delivery reliability
- Our knowledge for your application



## Proviso

We reserve the right to make technical changes. Changes, errors, and literal errors do not justify any claim for damage compensation. For security components and systems, the relevant standards, as well as the relevant operating and assembly instructions have to be followed.

# QX-02... Overview

Overview Local Control Components

Erfahrung ist Zukunft



Local Control Components



## Switching Module:

Marking:

⊕ II 2G Ex de IIC Gb

⊕ II 2D Ex tD A21 IP66

ATEX, IECEX, EAC TC-RU

Zone 1 / 2 / 21 / 22

$T_a$  -55..+60°C

Electrical data:

U 250 V 250 V 110 V 24 V

Use AC12 AC15 DC13 DC13

I 16 A 10A 0.5A 1A

$T_a$  ≤ 40°C ≤ 60°C ≤ 60°C ≤ 60°C

Switching cycles ≥ 1.000.000

Mounting: DIN-rail 35mm,

Mounting plate, Lid

## Signal Lamp:

Marking:

⊕ II 2G Ex de IIC Gb

⊕ II 2D Ex tD A21 IP66

ATEX, IECEX, EAC TC-RU

Zone 1 / 2 / 21 / 22

$T_a$  -55..+60°C,  $P_{max} \leq 1W$

Electrical data:

U: 20-250V AC/DC,

Optional: 12-28V DC

Optional: 250-400V AC

Mounting: DIN-rail 35mm,

Mounting plate, Lid

## Illuminated Push Button:

Marking:

⊕ II 2G Ex de IIC Gb

⊕ II 2D Ex tD A21 IP66

ATEX, IECEX, EAC TC-RU

Zone 1 / 2 / 21 / 22

$T_a$  -55..+60°C,  $P_{max} \leq 1W$

U 250 V 24 V

Use AC15 DC13

I 6A 1A

Electrical data:

U: 20-250V AC/DC

Mounting: DIN-rail 35mm,

Mounting plate, Lid

# QX-0201-P1+2...

Ex Pushbutton / Double-Pushbutton



Local Control Components



- High switching capacity
- International certificates
- Different inlay symbols and colours
- Robust construction

## Description

Pushbutton / Double-Pushbutton for assembling of control panels or local control stations. Robust and reliable construction with 2,5mm<sup>2</sup> silver contact terminals and nominal voltage up to 250V.

There are different coloured inlays or symbols available.

With the Double-Pushbutton 2 functions can be realized on small space.



## Possible Application

- Control Panels
- Local control stations

## Technical Data

Zone:	1 / 2 / 21 / 22
Nominal voltage max.:	250VAC / 110VDC
Current @ 250VAC:	AC12: 16A @ ≤40°C AC15: 10A @ ≤60°C
Current @ 110VDC:	DC12: 0,5A @ ≤60°C
Current @ 24VDC:	DC13: 1A @ ≤60°C
Terminals:	2x 2,5mm <sup>2</sup> , Silver
Ingress protection:	IP 66
Temperature range:	-55..+60°C
Dimension (mm):	pls. see drawing
Mechanical life:	1.000.000 cycles
Mounting possibilities:	Backside – DIN-Rail Lid
Lid Mounting:	Thickness 1-6mm

## Certificates

ATEX, IECEx, EAC TC-RU

## Marking

⊕ II 2G Ex de IIC Gb / ⊕ II 2D Ex tD A21 IP66

# QX-0201-P1+2...

Ex Pushbutton / Double-Pushbutton



Local Control Components



Order numbers:

P1 = Single-Pushbutton / P2 = Double-Pushbutton

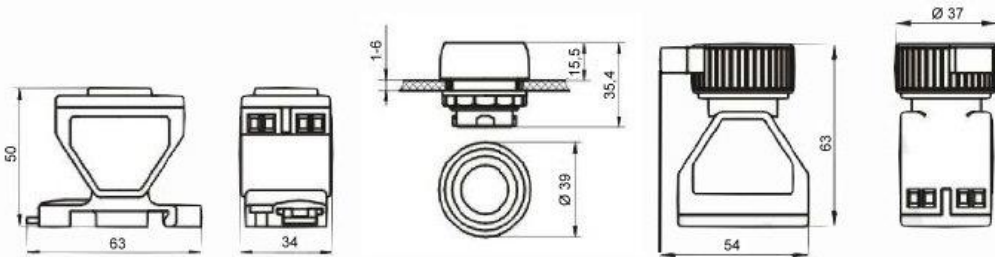
Rail-mounting		QX-0201-P_ 60
		QX-0201-P_ 61
		QX-0201-P_ 62
Lid-mounting		QX-0201-P_ 70
		QX-0201-P_ 71
		QX-0201-P_ 72

Following inlay symbols and colours are available. Please add the code on your order.

Code	Colour of label	Engraved	colour of text
01	green		
02	green	I	white
03	green	ON	white
04	green	START	white
Q1	green	EIN	white
21	red		
22	red	O	white
23	red	OFF	white
24	red	STOP	white
Q2	red	AUS	white
41	white		
42	white	II	black
43	white	↑	black
44	white	START	black
45	white	STOP	black
46	white	FW	black
47	white	BW	black
48	white	STOP	red
49	white	↑↑	black
61	yellow		
62	yellow	II	white
81	black		
91	blue		

Dimensional drawings

Pushbutton QX-0201-P1...



Double-Pushbutton QX-0201-P2...



# QX-0201-P3...

Ex Emergency Stop Button



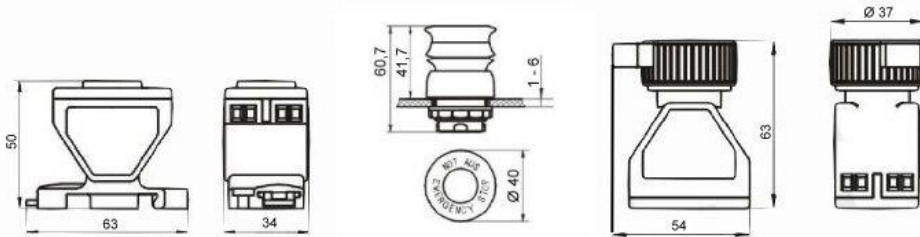
Local Control Components



- High switching capacity
- Release by pulling
- International certificates
- Robust construction

## Description

Emergency Stop button for assembling of control panels or local control stations. Robust and reliable construction with 2,5mm<sup>2</sup> silver contact terminals and nominal voltage up to 250V. Different switching combinations are possible. With yellow ring for showing the emergency function.



## Possible Application

- Control Panels
- Local control stations

## Technical Data

Zone:	1 / 2 / 21 / 22
Nominal voltage max.:	250VAC / 110VDC
Current @ 250VAC:	AC12: 16A @ ≤40°C AC15: 10A @ ≤60°C
Current @ 110VDC:	DC12: 0,5A @ ≤60°C
Current @ 24VDC:	DC13: 1A @ ≤60°C
Terminals:	2x 2,5mm <sup>2</sup> , Silver
Ingress protection:	IP 66
Temperature range:	-55..+60°C
Dimension (mm):	pls. see drawing
Mechanical life:	1.000.000 cycles
Mounting possibilities:	Backside – DIN-Rail Lid
Lid Mounting:	Thickness 1-6mm

## Certificates

ATEX, IECEx, EAC TC-RU  
Acc. standard EN 60947-5-5

## Marking

Ⓔ II 2G Ex de IIC Gb / Ⓔ II 2D Ex tD A21 IP66

## Order no.

Rail mounting		QX-0201-P3 60
		QX-0201-P3 61
		QX-0201-P3 62
Lid mounting		QX-0201-P3 70
		QX-0201-P3 71
		QX-0201-P3 72

# QX-0201-P6... / -P7...

Ex Emergency Stop Button



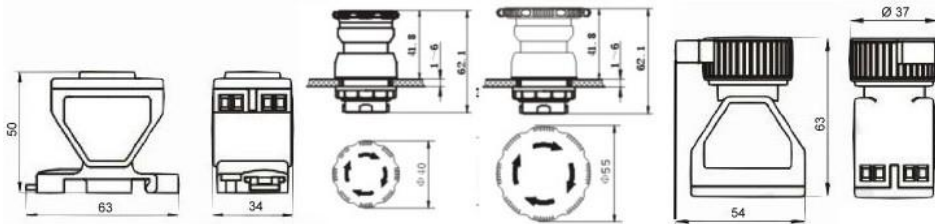
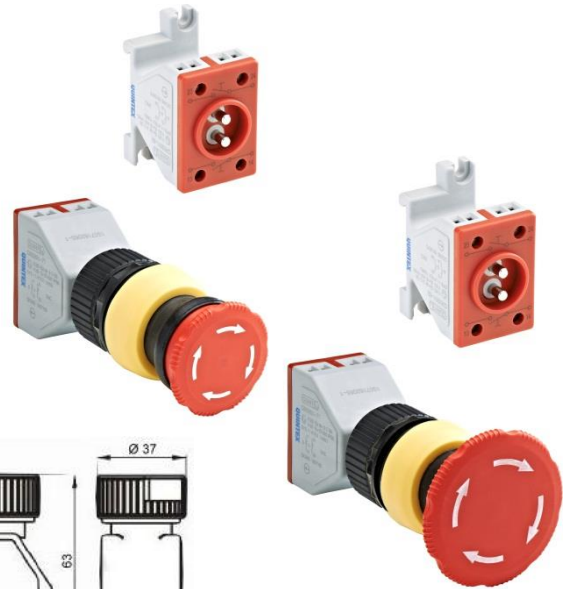
Local Control Components



- High switching capacity
- Release twisting
- International certificates
- Robust construction

## Description

Emergency Stop button for assembling of control panels or local control stations. Robust and reliable construction with 2,5mm<sup>2</sup> silver contact terminals and nominal voltage up to 250V. Different switching combinations are possible. With yellow ring for showing the emergency function.



## Possible Application

- Control Panels
- Local control stations

## Technical Data

Zone: 1 / 2 / 21 / 22  
 Nominal voltage max.: 250VAC / 110VDC  
 Current @ 250VAC: AC12: 16A @ ≤40°C  
 AC15: 10A @ ≤60°C  
 Current @ 110VDC: DC12: 0,5A @ ≤60°C  
 Current @ 24VDC: DC13: 1A @ ≤60°C  
 Terminals: 2x 2,5mm<sup>2</sup>, Silver  
 Ingress protection: IP 66  
 Temperature range: -55..+60°C  
 Dimension (mm): pls. see drawing  
 Mechanical life: 1.000.000 cycles  
 Mounting possibilities: Backside – DIN-Rail  
 Lid  
 Lid Mounting: Thickness 1-6mm

## Certificates

ATEX, IECEx, EAC TC-RU

## Marking

⊕ II 2G Ex de IIC Gb / ⊕ II 2D Ex tD A21 IP66

## Order no.

P6 = small knob 40mm / P7 = large knob 55mm

Rail mounting		QX-0201-P_ 60
		QX-0201-P_ 61
		QX-0201-P_ 62
Lid mounting		QX-0201-P_ 70
		QX-0201-P_ 71
		QX-0201-P_ 72

# QX-0201-P4...

Ex Mushroom Pushbutton black



Local Control Components



- High switching capacity
- International certificates
- Different inlay symbols and colours
- Robust construction

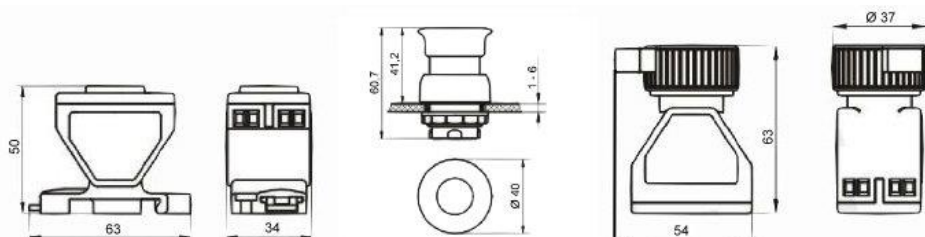
## Description

Mushroom Pushbutton for assembling of control panels or local control stations.

Robust and reliable construction with 2,5mm<sup>2</sup> silver contact terminals and nominal voltage up to 250V.

There are different coloured inlays or symbols available.

Different switching combinations are possible.



## Possible Application

- Control Panels
- Local control stations

## Technical Data

Zone:	1 / 2 / 21 / 22
Nominal voltage max.:	250VAC / 110VDC
Current @ 250VAC:	AC12: 16A @ ≤40°C AC15: 10A @ ≤60°C
Current @ 110VDC:	DC12: 0,5A @ ≤60°C
Current @ 24VDC:	DC13: 1A @ ≤60°C
Terminals:	2x 2,5mm <sup>2</sup> , Silver
Ingress protection:	IP 66
Temperature range:	-55..+60°C
Dimension (mm):	pls. see drawing
Mechanical life:	1.000.000 cycles
Mounting possibilities:	Backside – DIN-Rail Lid
Lid Mounting:	Thickness 1-6mm

## Certificates

ATEX, IECEX, EAC TC-RU

## Marking

 $\text{Ex}$  II 2G Ex de IIC Gb /  $\text{Ex}$  II 2D Ex tD A21 IP66

## Order no.

Rail mounting		QX-0201-P4 60
		QX-0201-P4 61
		QX-0201-P4 62
Lid mounting		QX-0201-P4 70
		QX-0201-P4 71
		QX-0201-P4 72

# QX-0201-K/S...

Ex Selector switch 2-pole



Local Control Components



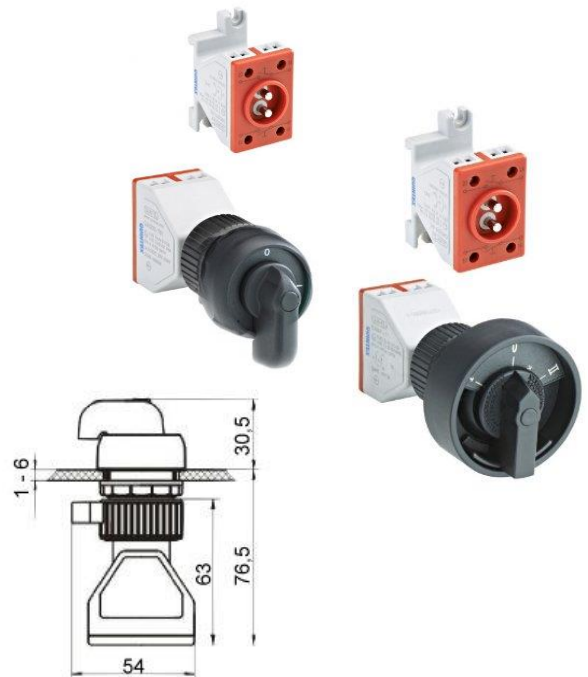
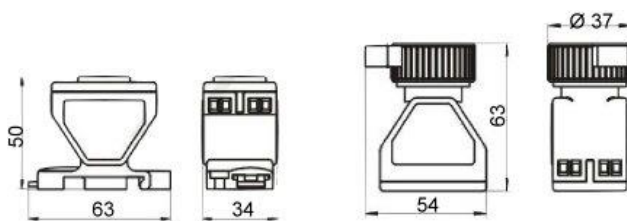
- High switching capacity
- Small and large handles available
- International certificates
- Robust construction

## Description

Selector switch for assembling of control panels or local control stations.

Robust and reliable construction with 2,5mm<sup>2</sup> silver contact terminals and nominal voltage up to 250V.

Different switching combinations are possible.



## Possible Application

- Control Panels
- Local control stations

## Technical Data

Zone:	1 / 2 / 21 / 22
Nominal voltage max.:	250VAC / 110VDC
Current @ 250VAC:	AC12: 16A @ ≤40°C AC15: 10A @ ≤60°C
Current @ 110VDC:	DC12: 0,5A @ ≤60°C
Current @ 24VDC:	DC13: 1A @ ≤60°C
Terminals:	2x 2,5mm <sup>2</sup> , Silver
Ingress protection:	IP 66
Temperature range:	-55..+60°C
Dimension (mm):	pls. see drawing
Mechanical life:	1.000.000 cycles
Mounting possibilities:	Backside – DIN-Rail Lid
Lid Mounting:	Thickness 1-6mm

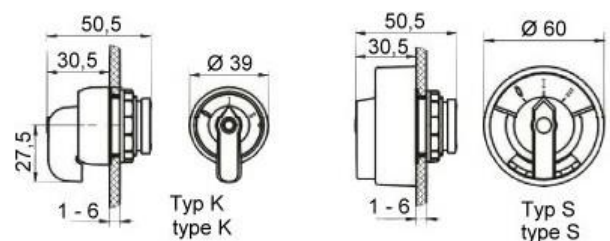
## Certificates

ATEX, IECEx, EAC TC-RU

## Marking

⊕ II 2G Ex de IIC Gb / ⊕ II 2D Ex tD A21 IP66

## Dimensional drawing of heads



# QX-0201-K/S...

Ex Selector switch 2-pole





Local Control Components



Order numbers

Please see table for order numbers:

Contact Scheme	Ø 39mm	Ø 60mm	Mounting
			
<b>0-I-II</b>	K4 60 03	S4 60 03	Rail
	K4 70 03	S4 70 03	Lid
<b>I-0-II</b>	K4 62 04	S4 62 04	Rail
	K4 72 04	S4 72 04	Lid
<b>I-0-II</b>	K5 62 04	S5 62 04	Rail
	K5 72 04	S5 72 04	Lid
<b>0-I-II</b>	K5 60 03	S5 60 03	Rail
	K5 70 04	S5 70 03	Lid
<b>0 - I</b>	K6 62 01	S6 62 01	Rail
	K6 72 01	S6 72 01	Lid
<b>I - II</b>	K6 60 02	S6 60 02	Rail
	K6 70 02	S6 70 02	Lid
<b>0 . I</b>	K8 60 05	S8 60 05	Rail
	K8 70 05	S8 70 05	Lid

The labels of the switching handle can be changed according requested. Therefore use the last digits of the needed label

e.g.: instead of **0 • I** at S8 60 05  
 you wish to use **I 0 II** (but same contact scheme)  
 order number will be: S8 60 04

# QX-0201-P/S..5...

Ex Switching component 4-pole



Local Control Components



- High switching capacity
- International certificates
- Small and large handles available
- Robust construction

## Description

4-pole switching component for assembling of control panels or local control stations. Robust and reliable construction with 2,5mm<sup>2</sup> silver contact terminals and nominal voltage up to 250V. Different switching combinations are possible. This component can be used with different push button heads as well as different heads and functions of selector switches.



## Possible Application

- Control Panels
- Local control stations

## Technical Data

Zone:	1 / 2 / 21 / 22
Nominal voltage max.:	250VAC / 110VDC
Current @ 250VAC:	AC12: 16A @ ≤40°C AC15: 10A @ ≤60°C
Current @ 110VDC:	DC12: 0,5A @ ≤60°C
Current @ 24VDC:	DC13: 1A @ ≤60°C
Terminals:	2x 2,5mm <sup>2</sup> , Silver
Ingress protection:	IP 66
Temperature range:	-55..+60°C
Dimension (mm):	pls. see drawing
Mechanical life:	1.000.000 cycles
Mounting possibilities:	Backside – DIN-Rail Lid
Lid Mounting:	Thickness 1-6mm

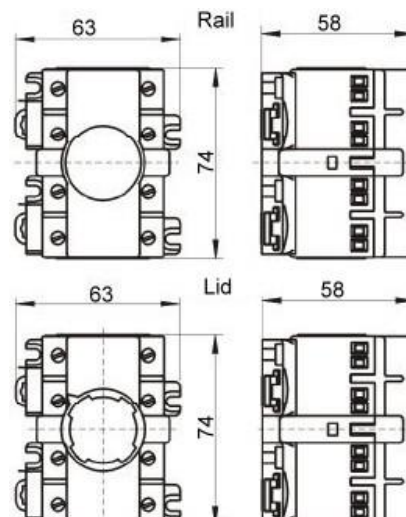
## Certificates

ATEX, IECEx, EAC TC-RU

## Marking

⊕ II 2G Ex de IIC Gb / ⊕ II 2D Ex tD A21 IP66

## Dimensional drawing





# QX-0201-P/S..5...

Ex Switching component 4-pole

Local Control Components



Order No.

		Contact Scheme		Order Number QX-0201-					
			2 NC / 2 NO	□□ □50 □□					
			4 NC	□□ □51 □□					
			4 NO	□□ □52 □□					
			1 NC / 3 NO	□□ □53 □□					
			3 NC / 1 NO	□□ □54 □□					
6 – rail mounting 7 – lid mounting Code only for insert of pushbutton QX-P1									
Code →	P1 Pushbutton	P2 Double-Pushbutton	P3 Emergency-stop pull	P6 Emergency-stop twist	P7 Emergency-stop large, twist	P4 Mushroom button	Y0 Mushroom button, red	Y5 Key switch I-0-II	Y6 Key switch 0-I
Operator									

		Contact Scheme		Order Number QX-0201-	
		I - II		S6 □50 02	
		0 - I		S6 □52 01	
		0 - I		S6 □54 01	
		I-0-II		S4 □52 04	
		I-0-II		S5 □52 04	
		I-0-II		S8 □52 04	
		0-I-II		S4 □50 03	
		0-I-II		S5 □50 03	
0 . I		S8 □50 05			
6 – rail mounting 7 – lid mounting					

The markings of the handle can be interchanged.  
 Simply use the last two digits of that image.  
 E.g.: instead of **0 • I** at S8 6 50 **05** it should be **I 0 II**  
 adapted order number: S8 6 50 **04**

# QX-0201-Y0...

Ex Emergency Stop / Mushroom Pushbutton with key, red



Local Control Components



- High switching capacity
- Usable as latching or spring return
- International certificates
- Robust construction

## Description

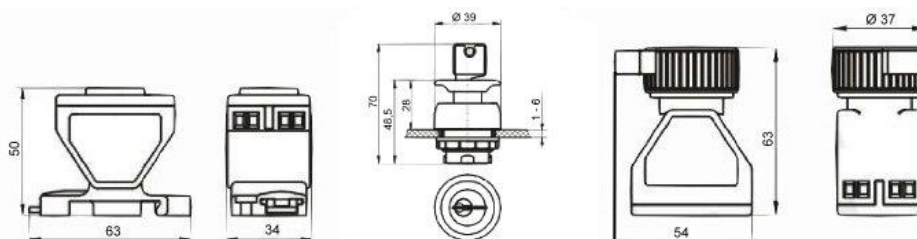
Emergency Stop / Mushroom Pushbutton with key for assembling of control panels or local control stations.

Robust and reliable construction with 2,5mm<sup>2</sup> silver contact terminals and nominal voltage up to 250V.

Different switching combinations are possible.

The key can be removed in both positions.

Used as Emergency function only with key releasable.



## Possible Application

- Control Panels
- Local control stations

## Technical Data

Zone:	1 / 2 / 21 / 22
Nominal voltage max.:	250VAC / 110VDC
Current @ 250VAC:	AC12: 16A @ ≤40°C AC15: 10A @ ≤60°C
Current @ 110VDC:	DC12: 0,5A @ ≤60°C
Current @ 24VDC:	DC13: 1A @ ≤60°C
Terminals:	2x 2,5mm <sup>2</sup> , Silver
Ingress protection:	IP 66
Temperature range:	-55..+60°C
Dimension (mm):	pls. see drawing
Mechanical life:	1.000.000 cycles
Mounting possibilities:	Backside – DIN-Rail Lid
Lid Mounting:	Thickness 1-6mm

## Certificates

ATEX, IECEx, EAC TC-RU

## Marking

Ⓔ II 2G Ex de IIC Gb / Ⓔ II 2D Ex tD A21 IP66

## Order no.

Rail mounting		QX-0201-Y0 60
		QX-0201-Y0 61
		QX-0201-Y0 62
Lid mounting		QX-0201-Y0 70
		QX-0201-Y0 71
		QX-0201-Y0 72

# QX-0201-Y6... / -Y5...

Ex Key Switch

Local Control Function



- High switching capacity
- Usable as latching or spring return
- International certificates
- Robust construction

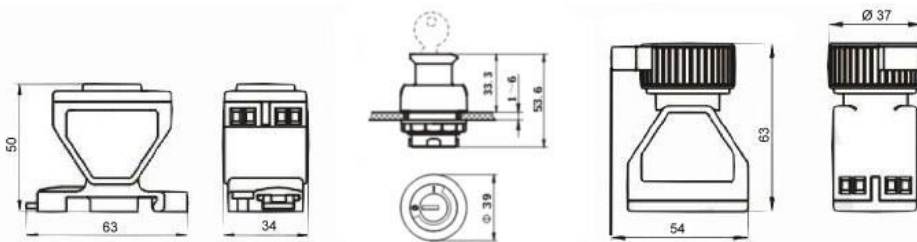
## Description

Key switch for assembling of control panels or local control stations.

Robust and reliable construction with 2,5mm<sup>2</sup> silver contact terminals and nominal voltage up to 250V.

Different switching combinations are possible.

The key can be removed in both positions.



## Possible Application

- Control Panels
- Local control stations

## Technical Data

Zone:	1 / 2 / 21 / 22
Nominal voltage max.:	250VAC / 110VDC
Current @ 250VAC:	AC12: 16A @ ≤40°C AC15: 10A @ ≤60°C
Current @ 110VDC:	DC12: 0,5A @ ≤60°C
Current @ 24VDC:	DC13: 1A @ ≤60°C
Terminals:	2x 2,5mm <sup>2</sup> , Silver
Ingress protection:	IP 66
Temperature range:	-55..+60°C
Dimension (mm):	pls. see drawing
Mechanical life:	1.000.000 cycles
Mounting possibilities:	Backside – DIN-Rail Lid
Lid Mounting:	Thickness 1-6mm

## Certificates

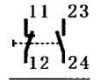
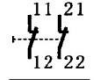
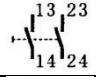
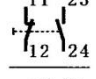
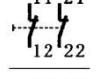
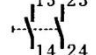
ATEX, IECEX, EAC TC-RU

## Marking

Ⓔ II 2G Ex de IIC Gb / Ⓔ II 2D Ex tD A21 IP66

## Order no.

Y6 = 0-I / Y5 = I-0-II

Rail mounting		QX-0201-Y_ 60
		QX-0201-Y_ 61
		QX-0201-Y_ 62
Lid mounting		QX-0201-Y_ 70
		QX-0201-Y_ 71
		QX-0201-Y_ 72

# QX-0202-...

Ex Indication Lamp



Local Control Components



- High luminance
- Wide supply voltage range
- International certificates
- Robust construction

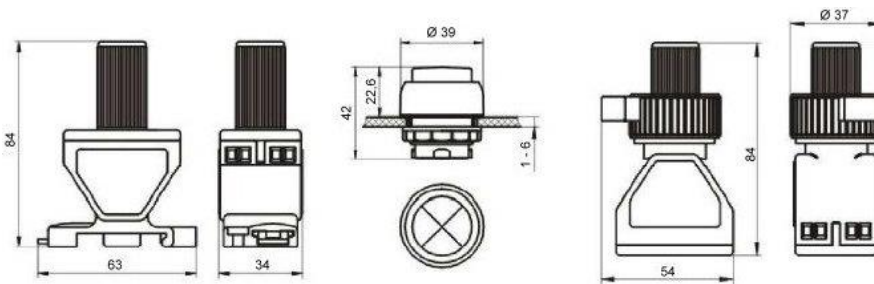
## Description

Indication lamp for assembling of control panels or local control stations.

Robust and reliable construction with 2,5mm<sup>2</sup> silver contact terminals and nominal voltage up to 250V.

Because of the high luminance they are usable within daylight.

Low power consumption because of LED technique. Different colours are available.



## Possible Application

- Control Panels
- Local control stations

## Technical Data

Zone:	1 / 2 / 21 / 22
Nominal Voltage:	20-250V AC/DC
Optional:	12-28V AC/DC 250-400V AC
Terminals:	2x 2,5mm <sup>2</sup> , Silver contact
Ingress protection:	IP 66
Temperature range:	-55..+60°C
Power consumption:	≤1W
Dimension (mm):	pls. see drawing
Lifetime:	100.000 h
Mounting possibilities:	Backside – DIN-Rail Lid
Lid Mounting:	Thickness 1-6mm

## Certificates

ATEX, IECEx, EAC TC-RU

## Marking

⊕ II 2G Ex de IIC Gb / ⊕ II 2D Ex tD A21 IP66

## Order no.

Rail mounting	Lid mounting	Colour
QX-0202-LR60x	QX-0202-LR70x	Red
QX-0202-LG60x	QX-0202-LG70x	Green
QX-0202-LY60x	QX-0202-LY70x	Yellow
QX-0202-LB60x	QX-0202-LB70x	Blue
QX-0202-LW60x	QX-0202-LW70x	White

x = 1: 20-250V AC/DC

x = 2: 250-400V AC

x = 3: 12-28V AC/DC

# QX-0212-...

Ex Illuminated Pushbutton



Local Control Components



- High luminance
- Wide supply voltage range
- International certificates
- Robust construction

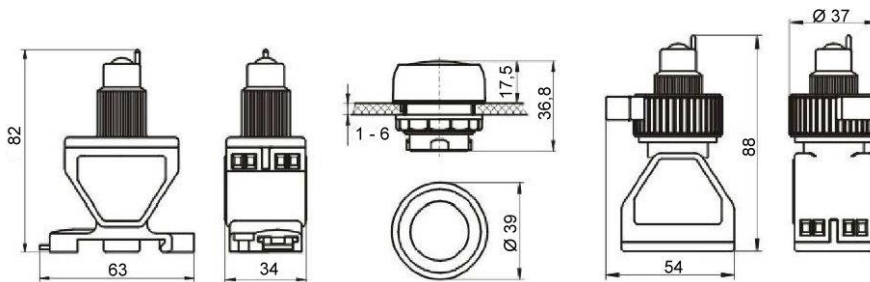
## Description

Illuminated Pushbutton for assembling of control panels or local control stations.

Robust and reliable construction with 2,5mm<sup>2</sup> silver contact terminals and nominal voltage up to 250V.

Because of the high luminance they are usable within daylight.

Low power consumption because of LED technique. Different colours are available.



## Possible Application

- Control Panels
- Local control stations

## Technical Data

Zone: 1 / 2 / 21 / 22  
 Nominal Voltage: 20-250V AC/DC  
 optional: 12-28V AC/DC  
 Switching capacity: AC15: 6A @ 250V  
 DC13: 1A @ 24V  
 Terminals: 2x 2,5mm<sup>2</sup>, Silver contact  
 Ingress protection: IP 66  
 Temperature range: -55..+60°C  
 Power consumption: ≤1W  
 Dimension (mm): pls. see drawing  
 Mechanical life: 300.000 cycles  
 Mounting possibilities: Backside – DIN-Rail Lid  
 Lid Mounting: Thickness 1-6mm

## Certificates

ATEX, IECEx, EAC TC-RU

## Marking

Ex II 2G Ex de IIC Gb / Ex II 2D Ex tD A21 IP66

## Order no.

Rail	Lid	Colour	Contact
QX-0212-..	QX-0212-..		
..PR630x	..PR730x	Red	
..PG630x	..PG730x	Green	
..PY630x	..PY730x	Yellow	
..PB630x	..PB730x	Blue	
..PW630x	..PW730x	White	
..PR640x	..PR740x	Red	
..PG640x	..PG740x	Green	
..PY640x	..PY740x	Yellow	
..PB640x	..PB740x	Blue	
..PW640x	..PW740x	White	

x=1: 20-250V AC/DC x=3: 12-28V AC/DC

# QX-0203-DW...

Ex Potentiometer



Local Control Components



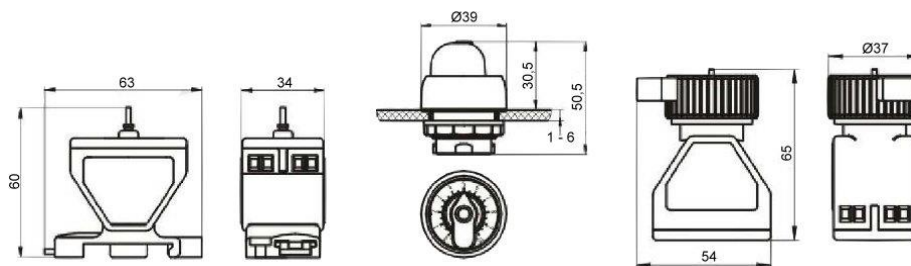
- Wide value range
- Exact adjustable
- International certificates
- Robust construction

## Description

Potentiometer for assembling of control panels or local control stations.

Robust and reliable construction with 2,5mm<sup>2</sup> silver contact terminals and nominal voltage up to 250V.

The Potentiometer has got 3-poles, adjustable from 0 to 100%.



## Possible Application

- Control Panels
- Local control stations

## Technical Data

Zone:	1 / 2 / 21 / 22
Nominal Voltage max.:	200VDC
Power max.:	0,1W
Terminals:	2x 2,5mm <sup>2</sup> , Silver
Ingress protection:	IP 66
Temperature range:	-55..+60°C
Dimension (mm):	pls. see drawing
Range:	0-100%
Mounting possibilities:	Backside – DIN-Rail Lid
Lid Mounting:	Thickness 1-6mm

## Certificates

ATEX, IECEx, EAC TC-RU

## Marking

⊕ II 2G Ex de IIC Gb / ⊕ II 2D Ex tD A21 IP66

## Order no.

x = 6: Rail mounting / x = 7: Lid mounting

Value	Order number
100 Ω	QX-0203-DWx01
200 Ω	QX-0203-DWx02
500 Ω	QX-0203-DWx03
1.000 Ω	QX-0203-DWx04
2.000 Ω	QX-0203-DWx05
5.000 Ω	QX-0203-DWx06
10.000 Ω	QX-0203-DWx07
20.000 Ω	QX-0203-DWx08
50.000 Ω	QX-0203-DWx09
100.000 Ω	QX-0203-DWx10
200.000 Ω	QX-0203-DWx11
500.000 Ω	QX-0203-DWx12
1.000.000 Ω	QX-0203-DWx13
2.000.000 Ω	QX-0203-DWx14

# QX-0205...

Ex Ampere- / Voltmeter



Local Control Components



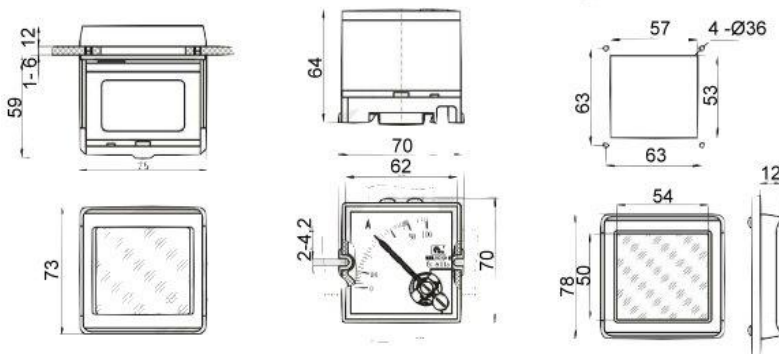
- Wide measurement range
- Moving iron instrument
- International certificates
- Robust construction

## Description

Ampere- / Voltmeter for assembling of control panels or local control stations.

Robust and reliable construction with 2,5mm<sup>2</sup> terminals.

Direct and indirect measurement (by current transformer) available.



## Possible Application

- Control Panels
- Local control stations

## Technical Data

Zone:	1 / 2 / 21 / 22
Measurement range:	pls. see table
Accuracy class:	1,5
For current transformer:	1 or 5A
Overload scale factor:	2 or 5-fold
Terminals:	2x 2,5mm <sup>2</sup> , Silver
Ingress protection:	IP 66
Temperature range:	-55..+60°C
Dimension (mm):	pls. see drawing
Mounting possibilities:	Backside – DIN-Rail Lid
Lid Mounting:	Thickness 1-6mm

## Certificates

ATEX, IECEx, EAC TC-RU

## Marking

⊕ II 2G Ex e IIC Gb / ⊕ II 2D Ex tD A21 IP66

## Order no.

Pls. see next page





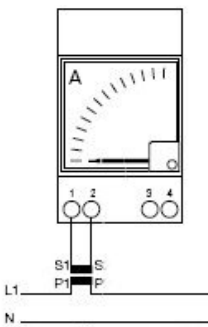
# QX-0205...

Ex Ampere- / Voltmeter



Local Control Components



	Calotte	Measuring method	Overload factor	Measuring range	Order Number QX-0205-
Voltmeter, rail mounting: 	EXM	Voltage AC		0-25V 0-40V 0-150V 0-250V 0-500V	M□V 25 M□V 40 M□V 150 M□V 250 M□V 500
Ammeter, rail mounting: 		Current AC/DC (0)4-20mA	2	0-20 / 40mA 4-20 / 40mA	M□MA 11 M□MA 12
Ammeter, lid mounting: 		Current AC direct measurement	2	0-1 / 2A 0-4 / 8A 0-5 / 10A 0-10 / 20A 0-15 / 30A	M□DA 1 M□DA 4 M□DA 5 M□DA 10 M□DA 15
Window - EXM: 		Current AC for transformer	2	0-1 / 2A 0-2.5 / 5A 0-5 / 10A 0-15 / 30A 0-25 / 50A 0-40 / 80A 0-50 / 100A 0-60 / 120A 0-75 / 150A 0-100 / 200A 0-150 / 300A 0-200 / 400A 0-250 / 500A 0-300 / 600A 0-400 / 800A 0-500 / 1000A 0-600 / 1200A	M□WA 01 / □ -2 M□WA 2.5 / □ -2 M□WA 5 / □ -2 M□WA 15 / □ -2 M□WA 25 / □ -2 M□WA 40 / □ -2 M□WA 50 / □ -2 M□WA 60 / □ -2 M□WA 75 / □ -2 M□WA 100 / □ -2 M□WA 150 / □ -2 M□WA 200 / □ -2 M□WA 250 / □ -2 M□WA 300 / □ -2 M□WA 400 / □ -2 M□WA 500 / □ -2 M□WA 600 / □ -2
Connection to transformer: 		Current AC for transformer	5	0-1 / 5A 0-2.5 / 12.5A 0-5 / 25A 0-15 / 75A 0-25 / 125A 0-40 / 200A 0-50 / 250A 0-60 / 300A 0-75 / 375A 0-100 / 500A 0-150 / 750A 0-200 / 1000A 0-250 / 1250A 0-300 / 1500A 0-400 / 2000A 0-500 / 2500A 0-600 / 3000A	M□WA 01 / □ -5 M□WA 2.5 / □ -5 M□WA 5 / □ -5 M□WA 15 / □ -5 M□WA 25 / □ -5 M□WA 40 / □ -5 M□WA 50 / □ -5 M□WA 60 / □ -5 M□WA 75 / □ -5 M□WA 100 / □ -5 M□WA 150 / □ -5 M□WA 200 / □ -5 M□WA 250 / □ -5 M□WA 300 / □ -5 M□WA 400 / □ -5 M□WA 500 / □ -5 M□WA 600 / □ -5
		6 – rail mounting 7 – lid mounting			
		Connection to transformer: 1A = 1 5A = 5			



QX-02/4031/1

**Label**

This label is used for identification of local control components and will be supplied laser engraved on demand.



QX-02/4031/4

**Label large**

This label is used for identification of large selector switches and will be supplied laser engraved on demand.



QX-02/4003/1

**Emergency-Stop label, round**

For sticking on the surface under the button



QX-02/4003/2

**Emergency-Stop label, crosswise**

For sticking on the surface under the button



QX-02/4009-25

**Overhanging part**

The overhanging part is used for the buttons of hoist and other moveable control functions together with M25 glands



QX-02/4006

**Socket Spanner**

This tool is used for mounting of operators in the lid.



QX-02/4019

**Safety flap, with clear lid**

This will avoid accidentally use of the operators



QX-02/4019/3-7

**Safety flap for Pushbutton, lockable, with clear lid**

This will avoid accidentally use of the operators



QX-02/4019/2

**Safety catch / Shroud for Emergency stop button**

To prevent from accidentally use of the Emergency stop button.



QX-02/4019/2+9

**Safety catch / Shroud for Emergency stop button lockable**

To prevent from accidentally use of the Emergency stop button. Furthermore the Emergency stop button can be fixed and interlocked by a bow.

# LED-0865 / 0866

Ex Approved LED Light Fitting



Ex LED Light Fittings



- For Gas and Dust Ex, Zone 1/2/21/22
- Latest LED-Technique, maintenance free
- Available with emergency function
- Wide range of power supply
- Robust construction / easy installation
- Various mounting accessories available

## Description

The full plastic explosion proof LED light fittings are made of glass fibre reinforced Polyester. The transparent lid is manufactured from UV-resistant polycarbonate.

As an option the fittings are available with diffuser, which will spread the light uniformly. Using the emergency version, the LEDs will be continuously lighting after breakdown of power supply, with lower intensity, by integrated battery.

The LED fittings with latest technology will give you extreme high luminosity at low power consumption and a maintenance free product. There are different mounting options available, like ceiling bracket, hung to the ceiling on chains, brackets with distance from the ceiling, wall mount or clamp-on.



## Possible application

- Petro chemistry / Refinery / Offshore
- Wastewater industry / Sewage treatment
- Shipbuilding / Tanker / Tank farm
- Ex-manufacturing plant / Filling station

## Technical Data

Nominal Voltage:	100..250VAC 50/60Hz
Terminals:	L/N/PE je 2x1,5-10mm <sup>2</sup>
Cable glands:	1x M25x1,5 (8-17mm)
Stopping plugs:	2x M25x1,5
Ingress protection:	IP66
Color temperature:	5700K
Color rendering index Ra:	≥80
Power factor λ:	> 0,95
Dimension:	1x30W: 698 x 222 x 145mm
	2x30W: 1310 x 222 x 145mm

## Certifications / Marking

ATEX, IECEx Ex Zone 1 / 2 / 21 / 22

Ex II 2G Ex db eb mb op is q IIC (T5)/T4 Gb

Ex II 2D Ex tb op is IIIC T80° Db

## Data without emergency function

Temperature class:	T5 / T4
Temperature range:	-25..+40°C @ T5 -25..+55°C @ T4
Luminous flux:	1x30W: 3396lm / w. diff. 2923lm 2x30W: 6836lm / w. diff. 5868lm
Weight:	1x30W: 5,5Kg / w. diff. 5,6Kg 2x30W: 8,9Kg / w. diff. 9,1Kg

## Data with emergency function

Temperature class:	T4
Temperature range:	-25..+50°C @ 1x30W -25..+55°C @ 2x30W
Luminous flux:	1x30W: 2920lm / w. diff. 2377lm 2x30W: 5978lm / w. diff. 4671lm
Luminous flux @ emergency:	1x30W: 893lm / w. diff. 712lm 2x30W: 1794lm / w. diff. 1435lm
Emergency illum. time:	>120min
Recharging / Start time:	24h / 0,1sec.
Weight:	1x30W: 8,6Kg / w. diff. 8,7Kg 2x30W: 11,9Kg / w. diff. 12,1Kg

# LED-0865 / 0866

Ex Approved LED Light Fitting



Ex LED Light Fittings

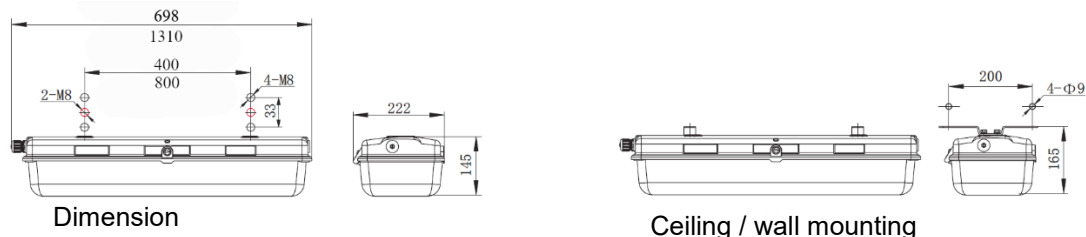


## Order-no

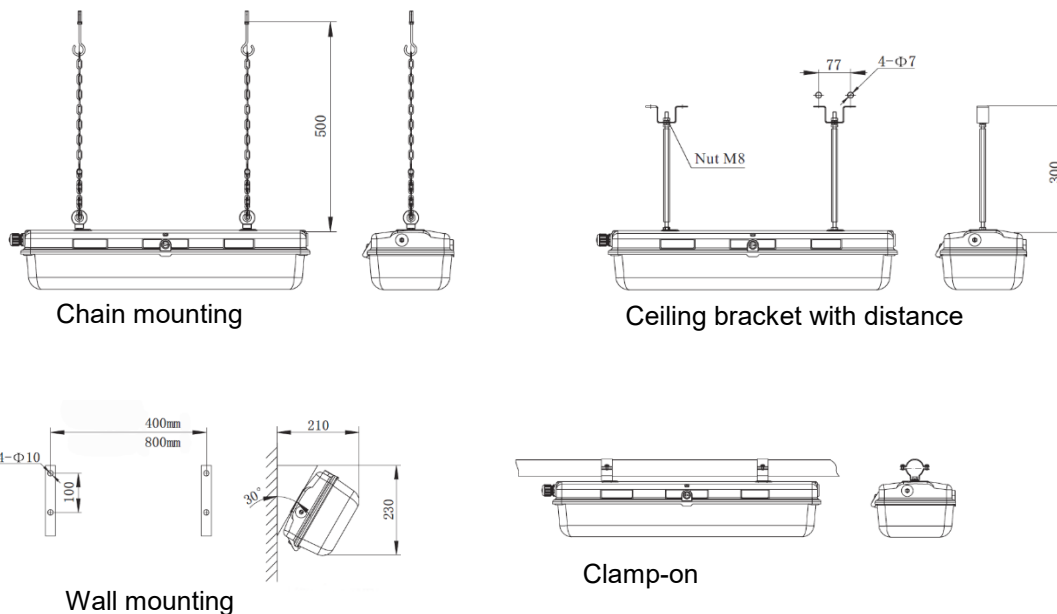
	w/o Emergency w/o diffusor	w/o Emergency with diffusor	with Emergency func. w/o diffusor	with Emergency func. with diffusor
1x 30W	LED-0865 1x30W1-B	LED-0865 1x30W2-B	LED-0865 1x30W1-YJ-B	LED-0865 1x30W2-YJ-B
2x 30W	LED-0866 2x30W1-B	LED-0866 2x30W2-B	LED-0866 2x30W1-YJ-B	LED-0866 2x30W2-YJ-B

## Mounting accessories

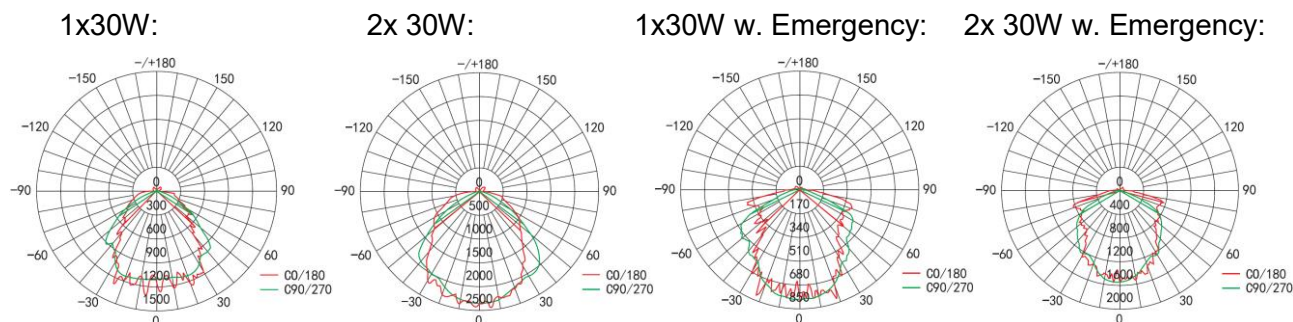
As standard all LED light fittings will be delivered with mounting bracket for ceiling / wall mounting.



## Mounting accessories as Option



## Luminous intensity in cd (w/o diffusor)



# FL-0865 / 0866

Ex Approved Fluorescent Light Fitting



Ex Light Fittings



- Wide range of power supply
- Robust construction
- Available with emergency function
- Interlock by opening lid
- Easy installation
- Various mounting accessories available

## Description

The full plastic explosion proof fluorescent light fittings are made of glassfibre reinforced Polyester. The transparent lid is manufactured from UV-resistant polycarbonate.

Using the emergency version, one tube will be continues lighting by integrated battery after breakdown of power supply.

The disconnect switch is actuated by the latch. Following explosion-proof components are installed: electronic ballast, isolation switch, lamp holders, terminals fuse and optional battery.

Installation can be hung as a ceiling on chains, made to bracket with distance from the ceiling, wall mount or clamp-on.

Philips two-pin fluorescent tubes are used as lamps and are part of supply.



## Technical Data

Nominal Voltage:	110..240VAC 50/60Hz
Terminals:	L, N, PE each 2 x 1,5-10mm <sup>2</sup>
Ingress protection:	IP66
Temperature range:	-25..+40°C
Power factor λ:	> 0,98
Energy efficiency index:	EEI = A2
Temperature class:	T4
Lamp holder / tube type:	G13 / T8
Cable glands:	1x M25x1,5 (8-17mm)
Blind plugs:	2x M25x1,5
With emergency function:	
Emergency illuminating time:	>120min
Charging / Starting time:	24h / 0,1sek.
Dimensions (mm):	
2x18W:	725 x 222 x 145
2x36W:	1335 x 222 x 145
Weights	
2x18W:	5,0Kg / emerg. 6,8Kg
2x36W:	7,9Kg / emerg. 9,9Kg

## Possible Application

Ex Zone 1 / 2 / 21 / 22

## Certificates

ATEX, IECEx

## Marking

Without Fuse:

⊕ II 2GD Ex deq IIC T4 Gb / Ex tD A21 T80°

With Fuse:

⊕ II 2GD Ex deqmb IIC T4 Gb / Ex tD A21 T80°

## Order no.

Without emergency function:

2x18W: FL-0865 2x18W-1-B

2x36W: FL-0866 2x36W-1-B

With emergency function:

2x18W: FL-0865 2x18W-1-YJ-B

2x36W: FL-0866 2x36W-1-YJ-B

All Lamps are supplied with 2 mounting brackets for ceiling / wall mounting.

# FL-0865 / 0866

Ex Approved Fluorescent Light Fitting

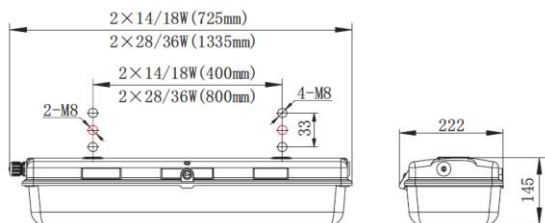


Ex Light Fittings

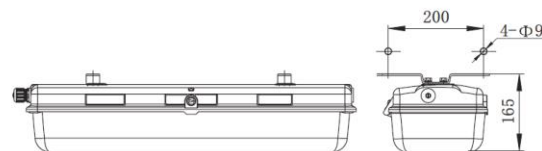


## Mounting accessories

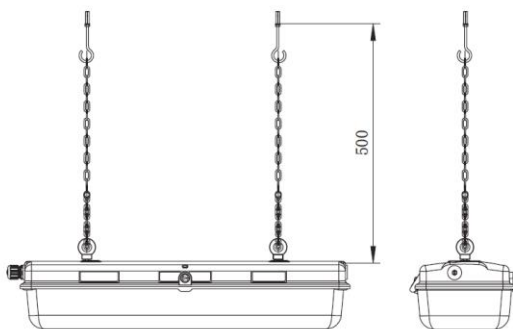
Further mounting accessories is available on request



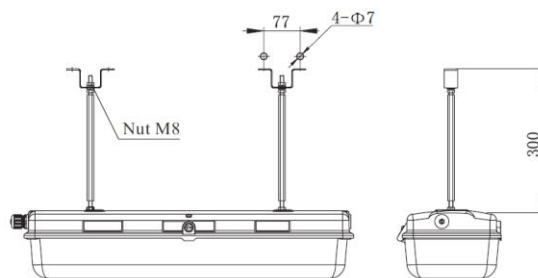
Dimensions



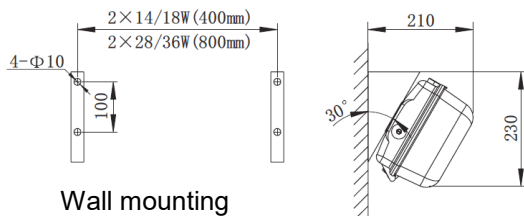
Ceiling mounting



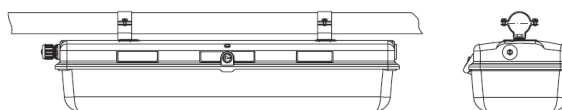
Chain mounting



Ceiling bracket with distance



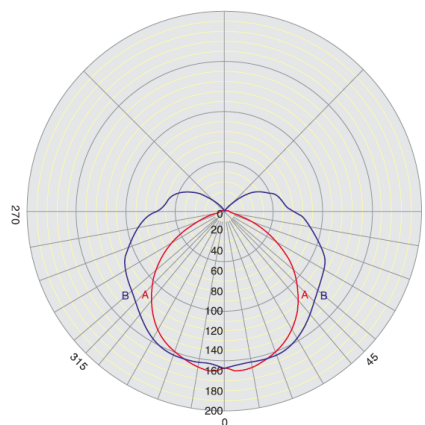
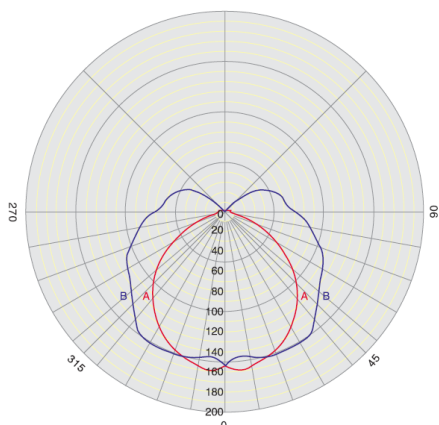
Wall mounting



Clap-on

**Luminous intensity** 2x18W: I (cd / 1000lm)

2x36W: I (cd / 1000lm)



ST...



Ex approved signal tower in flameproof enclosure

Ex-d Signal Tower



- For Gas- and Dust Ex, Zone 1/2/21/22
- Latest LED-Technique
- Assembly with line bushing
- Flexible assembling with lamp modules
- Very robust structure
- High chemical resistance

### Description

The Ex approved signal tower is equipped with latest technology, bright and maintenance free LED-technique.

Applications are status indication, fault indication, level indication, access authorisation and traffic lights.

There are 2 different sizes of enclosures available. One for up to 4 (430mm) and the other for 5 (470mm) signal lamps.

The signal towers are delivered with cable gland or ready installed and connected line bushing.

Advantage of the line bushing is a pre-wired and ready-for-connection unit.

There are up to 2 cable glands or line bushings possible. So you can easily connect more signal towers in line.



### Possible application

- Petro chemistry / Refinery / Offshore
- Wastewater industry / Sewage treatment
- Shipbuilding / Tanker
- Tank farm / Filling station
- Ex-manufacturing plant

### Technical Data

Material:	Aluminium die casting with tube of borosilicate glass
Dimension:	430(470)x174x210mm
Fixing centres:	345(385)mm / 2x10Ø
Ingress protection:	IP 66
Impact resistance:	7 Joule
Temperature range:	-40...+50°C
Weight:	
1..4 Modules:	5,7 kg
5 Modules:	6,0 kg

### Certificates

ATEX, IECEx, EAC TC-RU, Zone 1 / 2 / 21 / 22

### Marking

Ex II 2G Ex db IIC T6/T5  
Ex II 2D Ex db IIIC T120°C

### Technical Data of Modules

Steady light 24V AC/DC: I=0,054A  
Steady light 230V AC: I=0,028A  
Steady light 110V AC: I=0,031A  
Flash light 24V AC/DC: I=0,136A  
Flash light 230V AC: I=0,01A  
Flash light 110V AC: I=0,01A

Light source: 12 pcs LEDs per Module  
Lifespan: up to 100.000h  
Equal uninterrupted use > 10 Years

Terminals in cage clamp technology:  
up to 2,5mm<sup>2</sup> / 14AWG

# ST...

Ex approved signal tower in flameproof enclosure

Ex-d Signal Tower



## Order key

ST	U	M1	M2	M3	M4	M5
<b>Quintex Signal Tower</b> <b>Voltage:</b> 1 = 24V AC/DC +/-10% 2 = 230/240V AC +/-10% 3 = 110/120V AC +/-10%		<b>Module 1...5 colour and function</b> R = red / G = green / Y = yellow / O = orange (amber) / B = blue / W = white (clear) X = red flashlight / Z = orange flashlight				



Sample for standard signal tower:

ST-1-G-O-R: (Voltage = 24VDC / Module1 = green / Module2 = orange / Module3 = red)

## Accessories

The signal towers are supplied as standard with 2 blind plugs M20.

We assemble the appropriate cable glands on request. For this we need with the order the desired cable diameters.

Furthermore we equip the signal tower with optional line bushings. For this we need with the order the desired cable length and type (standard is Ölflex 5G0,75 or 7G0,75).

## Connection types

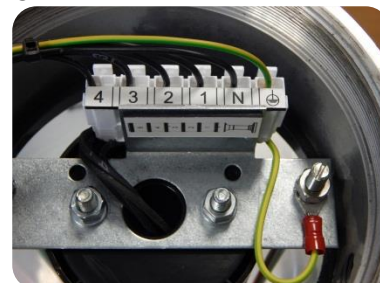
Line bushing:



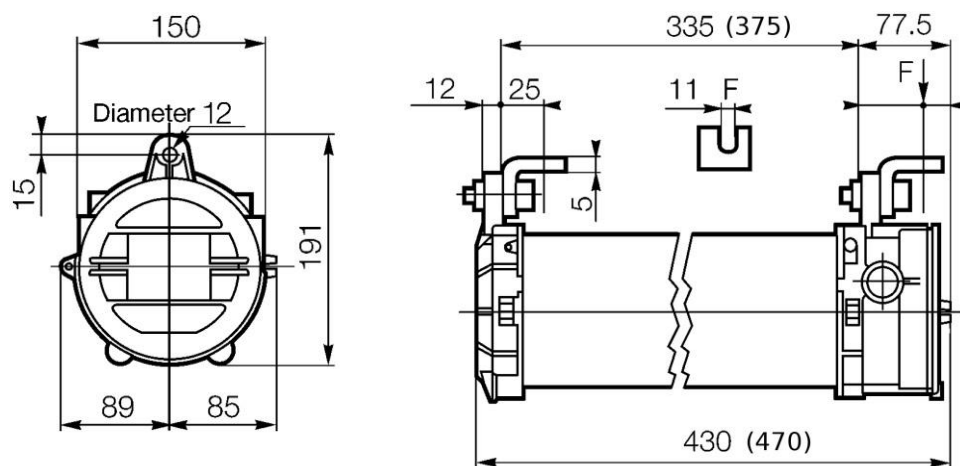
Cable gland:



Connection terminal:



## Dimension drawing



# EL-EXIT... / EL-WAY...

Ex approved emergency exit sign lamp and escape lighting in flameproof enclosure



Ex-d Emergency Lighting



- For Gas- and Dust Ex, Zone 1/2/21/22
- Latest LED-Technique
- With storage battery or central supplied
- Ready-for-connection with linebushing
- Very robust structure
- High chemical resistance

## Description

The Ex approved emergency exit and escape lights are equipped with modern, high luminosity and maintenance-free LED-technique.

They are supplied with storage battery, which is controlled, tested and gently charged by intelligent electronics.

Furthermore there is a version without battery available which is used with central emergency power supply.

Applications are escape doors, emergency exits, escape ways, and all areas where illumination is necessary after power down.

The emergency lamps are supplied with ready-for-connection linebushing and so installation is quite easy.

There are up to 2 line bushings (cable glands) possible. So you can easily connect more signal towers in line.



## Possible application

- Petro chemistry / Refinery / Offshore
- Wastewater industry / Sewage treatment
- Shipbuilding / Tanker
- Tank farm / Filling station
- Ex-manufacturing plant

## Technical Data

Material:	Aluminium die cast with tube of borosilicate glass
Dimension:	430x174x210mm
Fixing centres:	345mm / 2x10Ø
Ingress protection:	IP66
Impact resistance:	7 Joule / IK08
Temperature range:	
without battery:	-20...+40°C
with battery:	0...+40°C
Weight:	5,8 kg

## Marking

Ex II 2G Ex db IIB T6/T5  
Ex II 2D Ex tb IIB T85°C/T100°C

## Certificates

ATEX, EAC TC-RU, Zone 1 / 2 / 21 / 22

## Acc. standards for illumination

EN 60598-1, EN 60598-2-22  
EN 61347-2-7, EN 1839, EN-ISO 7010

## Technical Data of Modules

Emergency exit lamps:

Amount LEDs:	2
Illumination duration w. battery:	>1h
Voltage:	230V, 50Hz
Current / Power w battery:	17mA / 2W, 4VA
Current / Power wo battery:	7mA / 0,7W, 1,5VA
Recognition distance:	25m

Escape lighting:

Amount LEDs:	4
Illumination duration w. battery:	>1h
Voltage:	230V, 50Hz
Current / Power w battery:	50mA / 7W, 13VA
Current / Power wo battery:	65mA / 7,5W, 15VA
Luminous flux:	440 lm

# EL-EXIT... / EL-WAY...

Ex approved emergency exit sign lamp and escape lighting in flameproof enclosure

Ex-d Emergency Lighting



## Order key

EL - EXIT - D - 1 - 10	
<b>Quintex</b> Emergency Light	
EXIT = Emergency exit sign light WAY = Escape lighting	
Emergency exit sign light, Pictogram: U = Arrow up L = Arrow left R = Arrow right D = Arrow down	
Escape lighting : 0 = Standard (not switchable) S = switchable	
1 = with battery 2 = for central emergency supply 230V AC/DC	
0 = with cable gland M20, diam. 3,2-8,7mm (other diameters or types on request)	
10 = Length of the cable with line bushing	

Lamps with DALI control on request  
(Digital Addressable Light Interface)

## Pictogram acc. EN-ISO 7010

y = U:  
Arrow up  
Part-no. Pictogram:  
PICTO UP

y = L:  
Arrow left  
Part-no. Pictogram:  
PICTO LEFT

y = R:  
Arrow right  
Part-no. Pictogram:  
PICTO RIGHT

y = D:  
Arrow down  
Part-no. Pictogram:  
PICTO DOWN



Special pictograms on request

## Standard

The emergency lights are supplied as standard with one line bushing with 10m cable and 1 blind plug M20. For fixing of the signal tower there are 2 mounting brackets in stainless steel 316L pre-installed.

## Connection types

Linebushing:



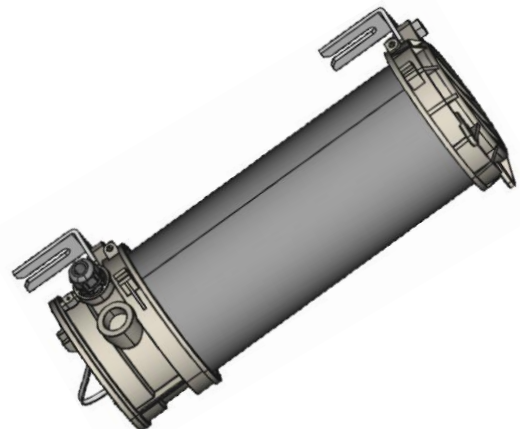
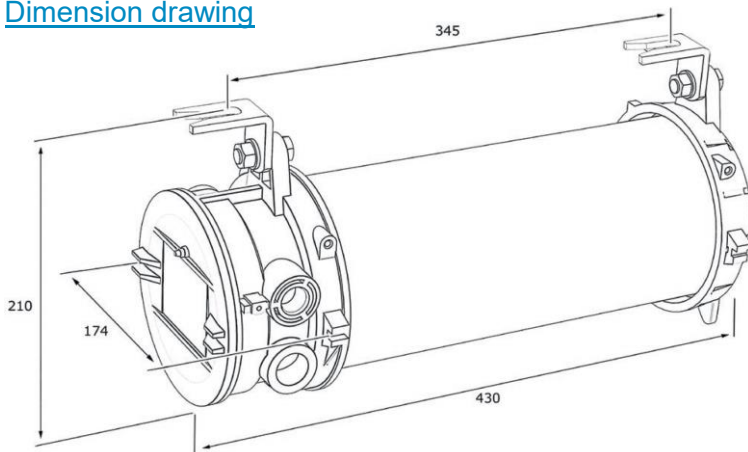
Option: Cable gland



Internal connection:



## Dimension drawing



# WirEx-Dome / WirEx-Tower

Erfahrung ist Zukunft



Ex approved Wireless Accesspoint as Dome or Tower Version  
in flameproof special-glass-enclosure

Ex-d Accesspoint



- For Gas- and Dust Ex, Zone 1/2/21/22
- Latest Technique
- Assembly with LAN line bushing
- Customized configuration possible
- Very robust structure
- High chemical resistance

## Description

The Quintex Ex approved accesspoints are available in different enclosure sizes and configurations for wall- or ceiling mounting as dome or tower version

As standard there are installed the latest and powerful accesspoints.

Advantage is the installation of standard components, without usage of expensive Ex-Antennas and Ex-i bushings.

The accesspoints are ready-to-use and equipped with a CAT-7 line-bushing with 10m cable (optional customisable).

It is always possible to realize customer demands and to install access points from other manufacturers as well as other radio systems, 2G, 3G or 4G.

Typical applications are WIFI applications in industrial halls with Ex-zones, offshore, production and filling plants.



## Possible application

- Petro chemistry / Refinery / Offshore
- Wastewater industry / Sewage treatment
- Shipbuilding / Tanker
- Tank farm / Filling station
- Ex-manufacturing plant

## Technical Data

Material:	Aluminium die cast with tube or dome of special glass
Dimension:	Pls. see details
Ingress protection:	IP 66
Impact resistance:	7 Joule
Temperature range:	-10(-30)...+50°C
Weight:	Pls. see details

## Certificates

ATEX, Zone 1 / 2 / 21 / 22

## Marking

Ex II 2G Ex db IIC T6/T5  
Ex II 2D Ex db IIIC T80°C

## Options:

- Customized configuration
- With integrated PoE Adaptor
- Accesspoints of other manufacturers possible
- Radio and company communication
- Customized cables and length for linebushing
- Safety guard
- Brackets for walls, sealing or poles
- For Tower-Version: different heights of enclosures up to 1000mm.

Do not hesitate and ask for your configuration.

# WirEx-Dome / WirEx-Tower

Ex approved Wireless Accesspoint as Dome or Tower Version  
in flameproof special-glass-enclosure

Ex-d Accesspoint

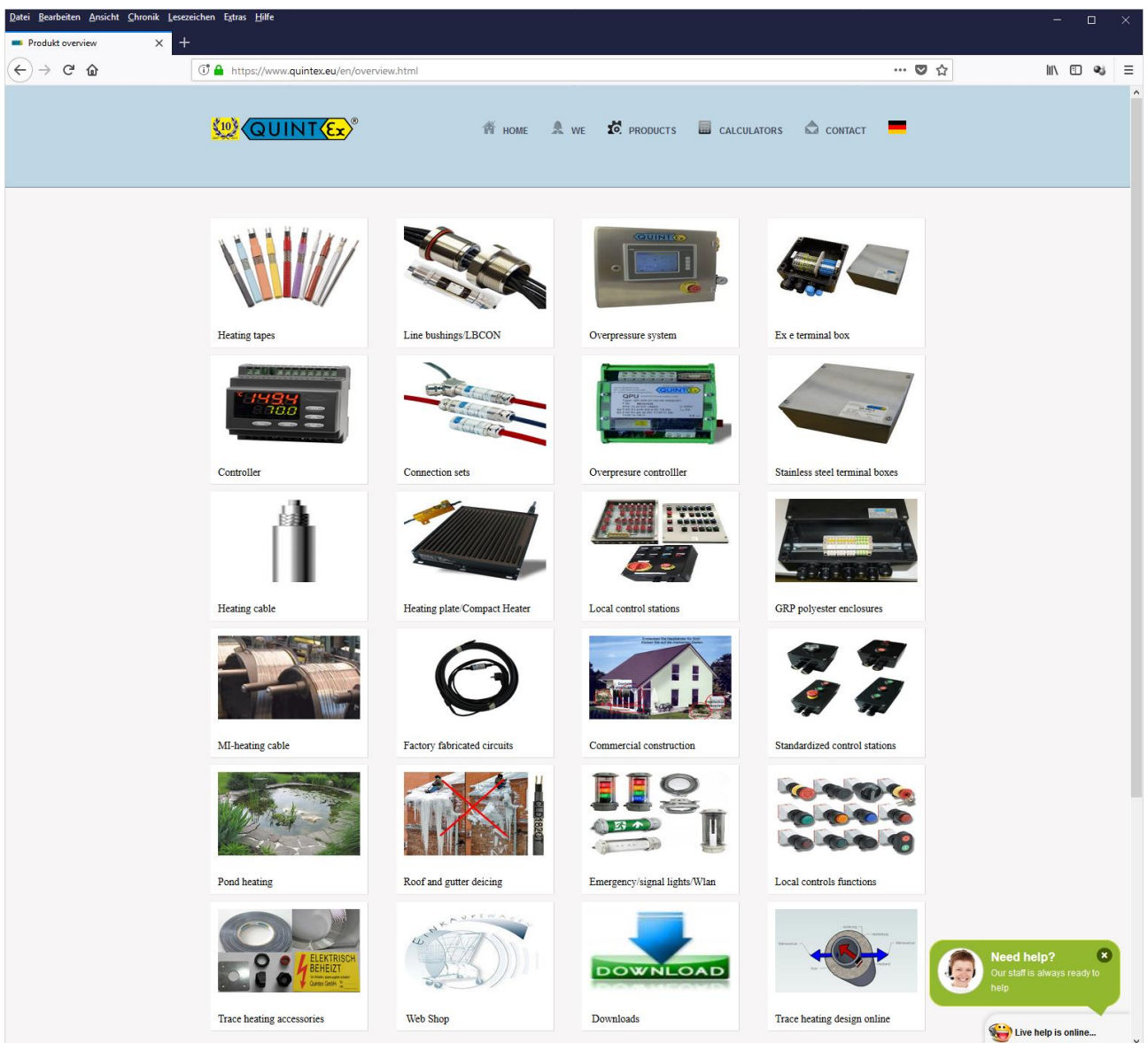


[Technical data in detail:](#)

	WirEx-Dome	WirEx-Tower
		
Simultaneous Dual Band 2,4 / 5 GHz	✓	✓
2,4 GHz Radio Rate:	300 Mbps	300 Mbps
2,4 GHz MIMO:	2x2	2x2
5 GHz Radio Rate:	867 Mbps	867 Mbps
5 GHz MIMO:	2x2	2x2
Mesh technology:	✗	✓
Power Save:	✓	✓
Max. power consumption:	6,5W	8,5W
Ethernet Ports:	1x 10/100/1000	1x 10/100/1000
PoE Mode:	802.3af/A PoE 24V Passive PoE	802.3af/A PoE 24V Passive PoE
Max TX Power 2,4 / 5 GHz:	24/22 dBm	20 dBm
Antennas:	2x dual-band	2 dual-band omni
2,4 GHz	3 dBi	3 dBi
5 GHz	3 dBi	4 dBi
Wi-Fi Standards:	802.11 a/b/g/n/ac	802.11 a/b/g/n/ac
Wireless Security:	WEP, WPA-PSK, WPA-Enterprise (WPA/WPA2, TKIP/AES)	WEP, WPA-PSK, WPA-Enterprise (WPA/WPA2, TKIP/AES)
BSSID:	Up to 8 per Radio	Up to 8 per Radio
VLAN	802.1Q	802.1Q
Clients:	250+	250+
Temperature range:	-10...+50°C	-30...+50°C
Dimension (WxHxD):	307x330x170mm	191x150x470mm
Weight:	7,7 Kg	6,0Kg

Please visit our Webpage to see the latest information about Quintex

If you need quick help, please use our online chat.  
Free of charge and easy to use



Produkt overview

https://www.quintex.eu/en/overview.html

10th ANNIVERSARY QUINT Ex

HOME WE PRODUCTS CALCULATORS CONTACT

Heating tapes

Line bushings LBCON

Overpressure system

Ex e terminal box

Controller

Connection sets

Overpressure controller

Stainless steel terminal boxes

Heating cable

Heating plate Compact Heater

Local control stations

GRP polyester enclosures

MI-heating cable

Factory fabricated circuits

Commercial construction

Standardized control stations

Pond heating

Roof and gutter deicing

Emergency/signal lights/Wlan

Local controls functions

Trace heating accessories

Web Shop

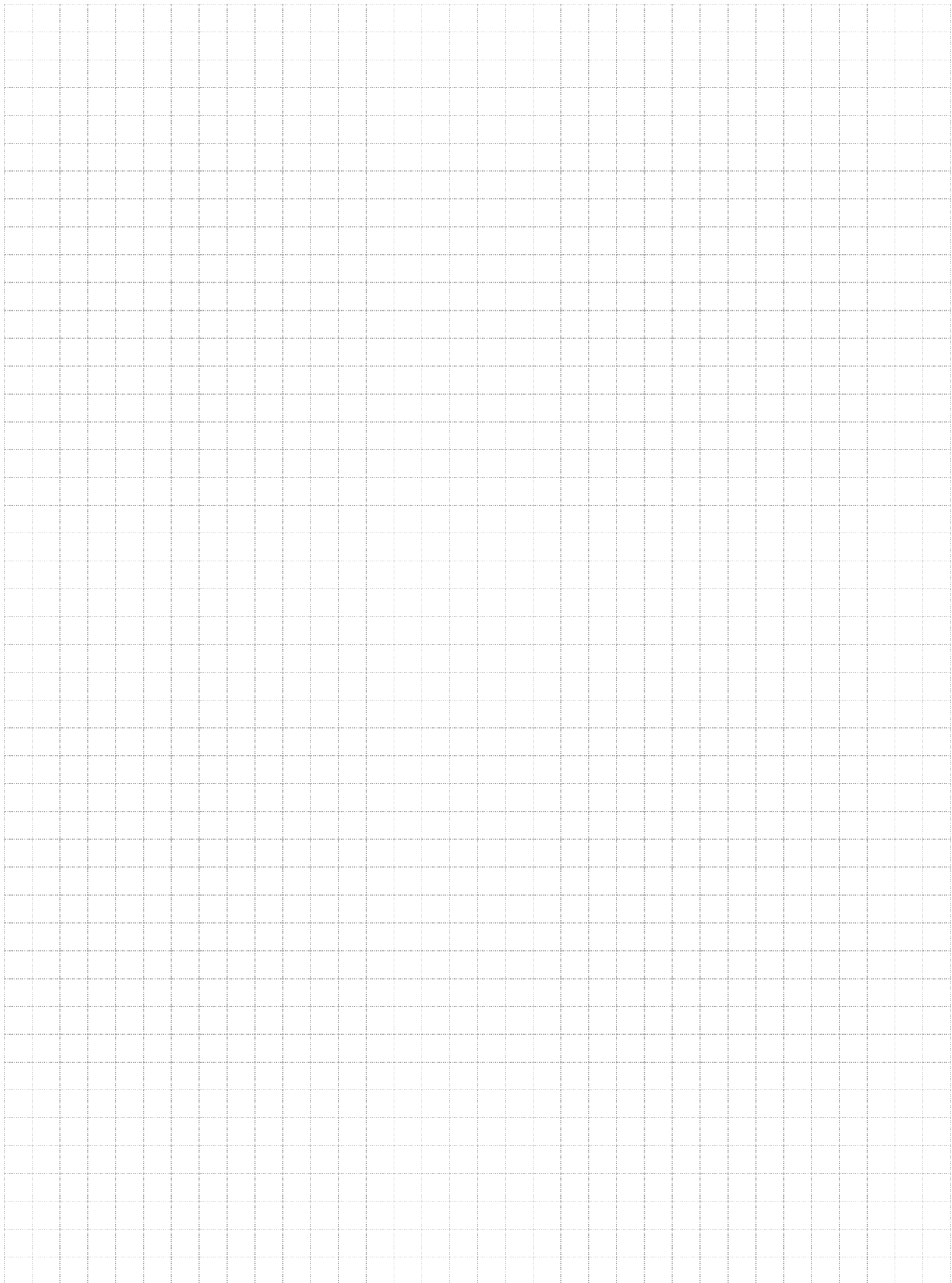
Downloads

Trace heating design online

Need help?  
Our staff is always ready to help

Live help is online...

**Notes:**





# SCATTERGOOD & JOHNSON LTD

ELECTRICAL ENGINEERING & FLUID CONTROL DISTRIBUTORS

Est.1899

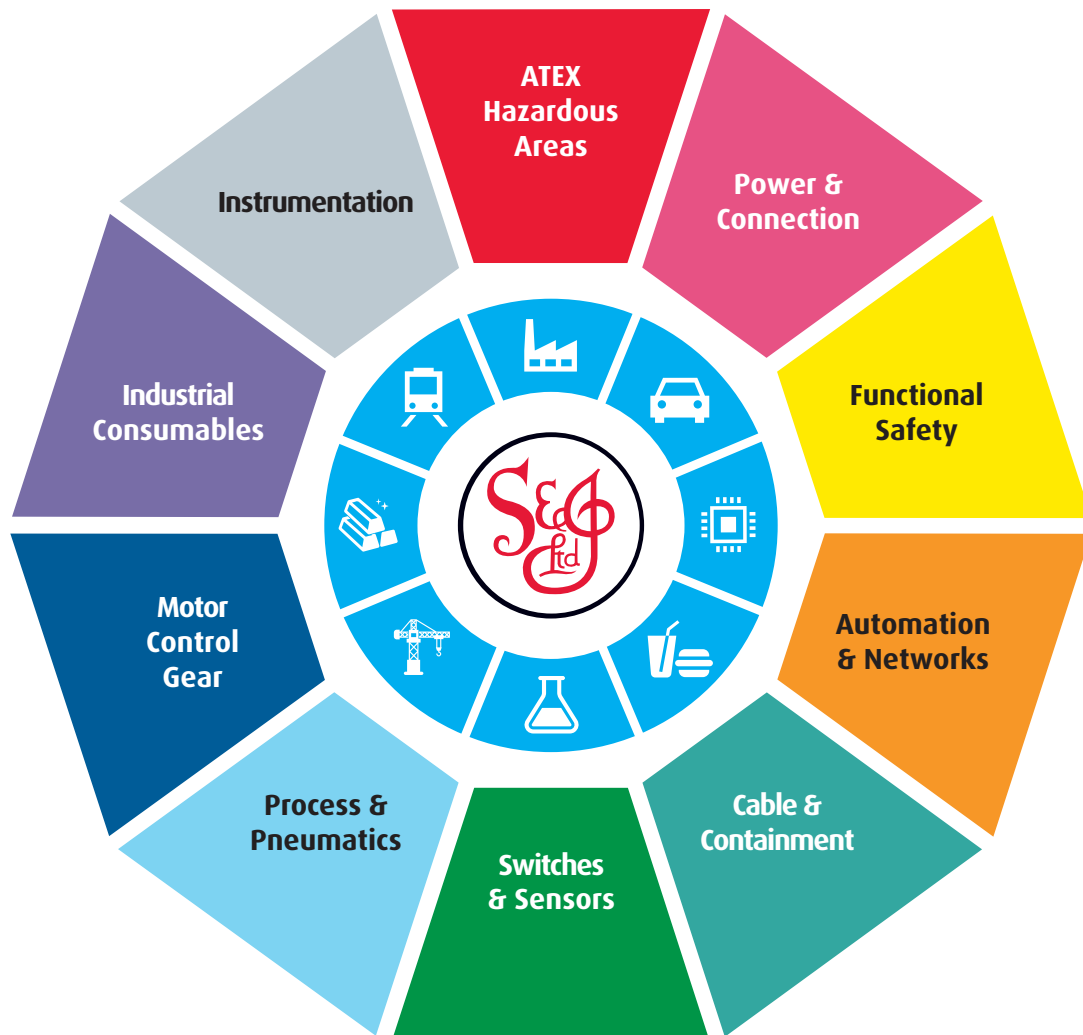
At Scattergood & Johnson Ltd, we pride ourselves on being a technical distributor to specialist industries.

Working with a range of quality product manufacturers across a number of specialist markets, we are not your average 'box shifter' - we are your technical and supply chain partner.

We fully support every product we sell - for free! Our internal team and external sales engineers can answer any product or application question, no matter the complexity.

Backing up this technical ability is a range of 50,000+ products available from stock for nationwide next day delivery (same day if required!), or you can collect what you need from any of our trade counters around the UK.

Select your specialist interest below to learn more about how we can help.



Online, In Branch and On the Road - Scattergood & Johnson Ltd, there when you need us.

# [www.scatts.co.uk](http://www.scatts.co.uk)