



Experts for your systems

Ex - Components



- Quality • Reliability • Delivery reliability
- Our knowledge for your application



Proviso

We reserve the right to make technical changes. Changes, errors, and literal errors do not justify any claim for damage compensation. For security components and systems, the relevant standards, as well as the relevant operating and assembly instructions have to be followed.

QX-02... Overview

Overview Local Control Components

Local Control Components



Switching Module:

Marking:

⊕ Ex II 2G Ex de IIC Gb

⊕ Ex II 2D Ex tD A21 IP66

ATEX, IECEX, GOST TC-RU

Zone 1 / 2 / 21 / 22

T_a -55..+60°C

Electrical data:

U 250 V 250 V 110 V 24 V

Use AC12 AC15 DC13 DC13

I 16 A 10A 0.5A 1A

T_a ≤ 40°C ≤ 60°C ≤ 60°C ≤ 60°C

Switching cycles ≥ 1.000.000

Mounting: DIN-rail 35mm,

Mounting plate, Lid

Signal Lamp:

Marking:

⊕ Ex II 2G Ex de IIC Gb

⊕ Ex II 2D Ex tD A21 IP66

ATEX, IECEX, GOST TC-RU

Zone 1 / 2 / 21 / 22

T_a -55..+60°C, P_{max} ≤ 1W

Electrical data:

U: 20-250V AC/DC,

Optional: 12-28V DC

Optional: 250-400V AC

Mounting: DIN-rail 35mm,

Mounting plate, Lid

Illuminated Push Button:

Marking:

⊕ Ex II 2G Ex de IIC Gb

⊕ Ex II 2D Ex tD A21 IP66

ATEX, IECEX, GOST TC-RU

Zone 1 / 2 / 21 / 22

T_a -55..+60°C, P_{max} ≤ 1W

U 250 V 24 V

Use AC15 DC13

I 6A 1A

Electrical data:

U: 20-250V AC/DC

Mounting: DIN-rail 35mm,

Mounting plate, Lid

QX-0201-P1+2...

Ex Pushbutton / Double-Pushbutton

Local Control Components



- High switching capacity
- International certificates
- Different inlay symbols and colours
- Robust construction

Description

Pushbutton / Double-Pushbutton for assembling of control panels or local control stations.

Robust and reliable construction with 2,5mm² silver contact terminals and nominal voltage up to 250V.

There are different coloured inlays or symbols available.

With the Double-Pushbutton 2 functions can be realized on small space.



Possible Application

- Control Panels
- Local control stations

Technical Data

Zone:	1 / 2 / 21 / 22
Nominal voltage max.:	250VAC / 110VDC
Current @ 250VAC:	AC12: 16A @ ≤40°C AC15: 10A @ ≤60°C
Current @ 110VDC:	DC12: 0,5A @ ≤60°C
Current @ 24VDC:	DC13: 1A @ ≤60°C
Terminals:	2x 2,5mm ² , Silver
Ingress protection:	IP 66
Temperature range:	-55..+60°C
Dimension (mm):	pls. see drawing
Mechanical life:	1.000.000 cycles
Mounting possibilities:	Backside – DIN-Rail Lid
Lid Mounting:	Thickness 1-6mm

Certificates

ATEX, IECEx, GOST TC-RU

Marking

⊕ Ex II 2G Ex de IIC Gb / ⊕ Ex II 2D Ex
tD A21 IP66

QX-0201-P1+2...

Ex Pushbutton / Double-Pushbutton



Local Control Components



Order numbers:

P1 = Single-Pushbutton / P2 = Double-Pushbutton

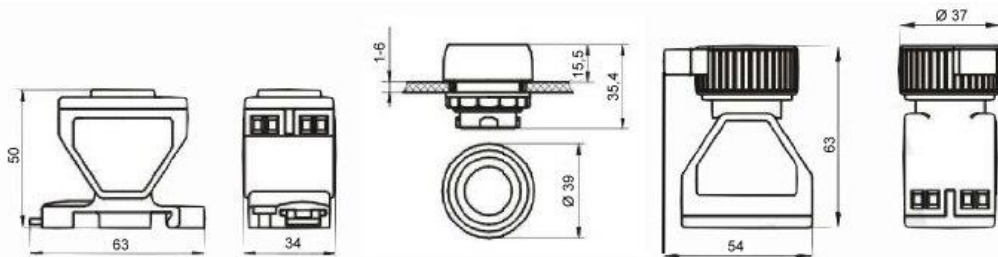
Rail-mounting		QX-0201-P_ 60
		QX-0201-P_ 61
		QX-0201-P_ 62
Lid-mounting		QX-0201-P_ 70
		QX-0201-P_ 71
		QX-0201-P_ 72

Following inlay symbols and colours are available. Please add the code on your order.

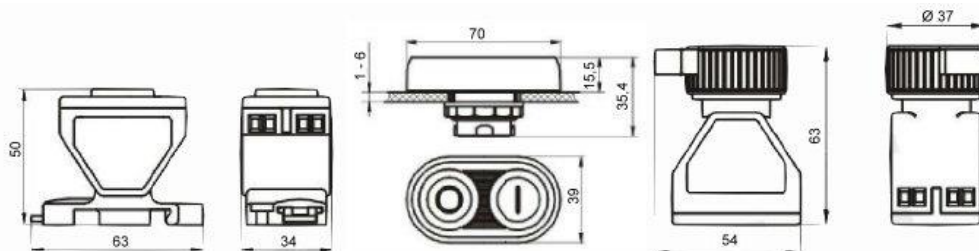
Code	Colour of label	Engraved	colour of text
01	green		
02	green	I	white
03	green	ON	white
04	green	START	white
21	red		
22	red	O	white
23	red	OFF	white
24	red	STOP	white
41	white		
42	white	II	black
43	white	↑	black
44	white	START	black
45	white	STOP	black
46	white	FW	black
47	white	BW	black
48	white	STOP	red
49	white	↑↑	black
61	yellow		
62	yellow	II	white
81	black		
82	blue		

Dimensional drawings

Pushbutton QX-0201-P1...



Double-Pushbutton QX-0201-P2...



QX-0201-P3...

Ex Emergency Stop Button



Local Control Components



- High switching capacity
- Release by pulling
- International certificates
- Robust construction

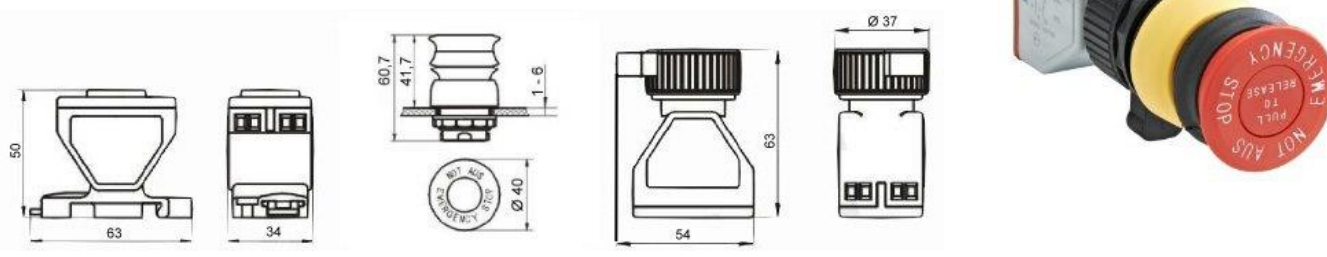
Description

Emergency Stop button for assembling of control panels or local control stations.

Robust and reliable construction with 2,5mm² silver contact terminals and nominal voltage up to 250V.

Different switching combinations are possible.

With yellow ring for showing the emergency function.



Possible Application

- Control Panels
- Local control stations

Technical Data

Zone:	1 / 2 / 21 / 22
Nominal voltage max.:	250VAC / 110VDC
Current @ 250VAC:	AC12: 16A @ ≤40°C AC15: 10A @ ≤60°C
Current @ 110VDC:	DC12: 0,5A @ ≤60°C
Current @ 24VDC:	DC13: 1A @ ≤60°C
Terminals:	2x 2,5mm ² , Silver
Ingress protection:	IP 66
Temperature range:	-55..+60°C
Dimension (mm):	pls. see drawing
Mechanical life:	1.000.000 cycles
Mounting possibilities:	Backside – DIN-Rail Lid
Lid Mounting:	Thickness 1-6mm

Certificates

ATEX, IECEx, GOST TC-RU

Marking

Ⓔ II 2G Ex de IIC Gb / Ⓔ II 2D Ex tD A21 IP66

Order no.

Rail mounting		QX-0201-P3 60
		QX-0201-P3 61
		QX-0201-P3 62
Lid mounting		QX-0201-P3 70
		QX-0201-P3 71
		QX-0201-P3 72

QX-0201-P4...

Ex Mushroom Pushbutton black



Local Control Components



- High switching capacity
- International certificates
- Different inlay symbols and colours
- Robust construction

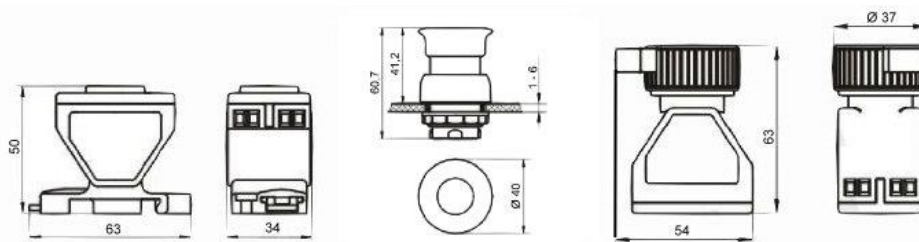
Description

Mushroom Pushbutton for assembling of control panels or local control stations.

Robust and reliable construction with 2,5mm² silver contact terminals and nominal voltage up to 250V.

There are different coloured inlays or symbols available.

Different switching combinations are possible.



Possible Application

- Control Panels
- Local control stations

Technical Data

Zone:	1 / 2 / 21 / 22
Nominal voltage max.:	250VAC / 110VDC
Current @ 250VAC:	AC12: 16A @ ≤40°C AC15: 10A @ ≤60°C
Current @ 110VDC:	DC12: 0,5A @ ≤60°C
Current @ 24VDC:	DC13: 1A @ ≤60°C
Terminals:	2x 2,5mm ² , Silver
Ingress protection:	IP 66
Temperature range:	-55..+60°C
Dimension (mm):	pls. see drawing
Mechanical life:	1.000.000 cycles
Mounting possibilities:	Backside – DIN-Rail Lid
Lid Mounting:	Thickness 1-6mm

Certificates

ATEX, IECEx, GOST TC-RU

Marking

⊕ II 2G Ex de IIC Gb / ⊕ II 2D Ex tD A21 IP66

Order no.

Rail mounting		QX-0201-P4 60
		QX-0201-P4 61
		QX-0201-P4 62
Lid mounting		QX-0201-P4 70
		QX-0201-P4 71
		QX-0201-P4 72

QX-0201-K/S...

Ex Selector switch 2-pole



Local Control Components



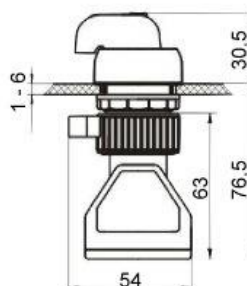
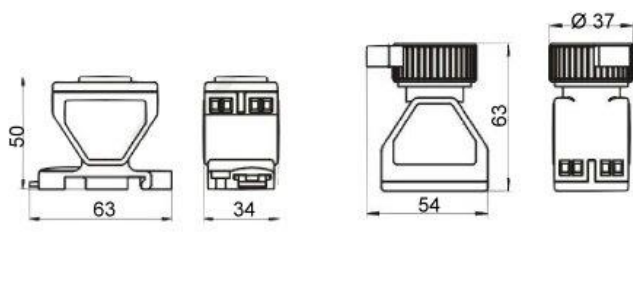
- High switching capacity
- Small and large handles available
- International certificates
- Robust construction

Description

Selector switch for assembling of control panels or local control stations.

Robust and reliable construction with 2,5mm² silver contact terminals and nominal voltage up to 250V.

Different switching combinations are possible.



Possible Application

- Control Panels
- Local control stations

Technical Data

Zone:	1 / 2 / 21 / 22
Nominal voltage max.:	250VAC / 110VDC
Current @ 250VAC:	AC12: 16A @ ≤40°C AC15: 10A @ ≤60°C
Current @ 110VDC:	DC12: 0,5A @ ≤60°C
Current @ 24VDC:	DC13: 1A @ ≤60°C
Terminals:	2x 2,5mm ² , Silver
Ingress protection:	IP 66
Temperature range:	-55..+60°C
Dimension (mm):	pls. see drawing
Mechanical life:	1.000.000 cycles
Mounting possibilities:	Backside – DIN-Rail Lid
Lid Mounting:	Thickness 1-6mm

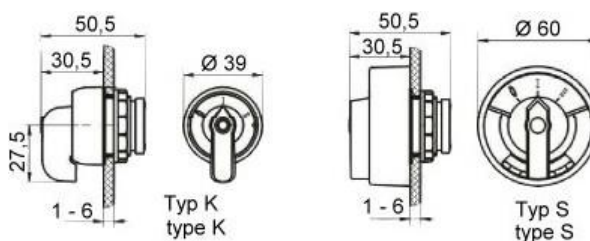
Certificates

ATEX, IECEx, GOST TC-RU

Marking

⊕ II 2G Ex de IIC Gb / ⊕ II 2D Ex tD A21 IP66

Dimensional drawing of heads



QX-0201-K/S...

Ex Selector switch 2-pole



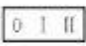
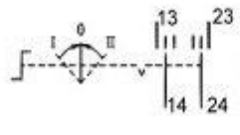
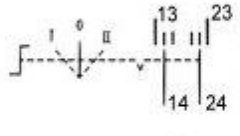
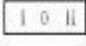
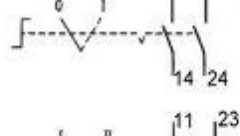
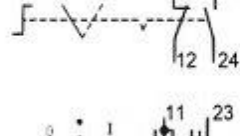


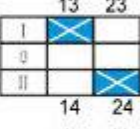
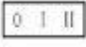
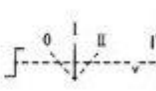
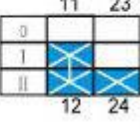


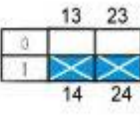

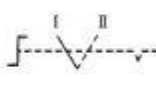
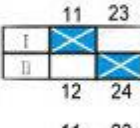

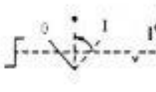
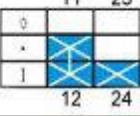


Local Control Components



Order numbers

Please see table for order numbers:

contact scheme		Ø 39 mm	Ø 60 mm		
					
			K4 6 003	S4 6 003	Rail
			K4 7 003	S4 7 003	Lid
			K4 6 204	S4 6 204	Rail
			K4 7 204	S4 7 204	Lid
			K5 6 204	S5 6 204	Rail
			K5 7 204	S5 7 204	Lid
			K5 6 003	S5 6 003	Rail
			K5 7 003	S5 7 003	Lid
			K6 6 201	S6 6 201	Rail
			K6 7 201	S6 7 201	Lid
			K6 6 002	S6 6 002	Rail
			K6 7 002	S6 7 002	Lid
			K8 6 005	S8 6 005	Rail
			K8 7 005	S8 7 005	Lid
				S8 x 005 9	lockable

The labels of the switching handle can be changed according requested.
 Therefore use the last digits of the needed label
 e.g.: instead of = **0 • I** at S8 60 05
 you wish to use **I 0 II** (but same contact scheme)
 order number will be: S8 60 04

QX-0201-P/S..5...

Ex Switching component 4-pole



Local Control Components



- High switching capacity
- Small and large handles available
- International certificates
- Robust construction

Description

4-pole switching component for assembling of control panels or local control stations.

Robust and reliable construction with 2,5mm² silver contact terminals and nominal voltage up to 250V.

Different switching combinations are possible. This component can be used with different push button heads as well as different heads and functions of selector switches.



Possible Application

- Control Panels
- Local control stations

Technical Data

Zone:	1 / 2 / 21 / 22
Nominal voltage max.:	250VAC / 110VDC
Current @ 250VAC:	AC12: 16A @ ≤40°C AC15: 10A @ ≤60°C
Current @ 110VDC:	DC12: 0,5A @ ≤60°C
Current @ 24VDC:	DC13: 1A @ ≤60°C
Terminals:	2x 2,5mm ² , Silver
Ingress protection:	IP 66
Temperature range:	-55..+60°C
Dimension (mm):	pls. see drawing
Mechanical life:	1.000.000 cycles
Mounting possibilities:	Backside – DIN-Rail Lid
Lid Mounting:	Thickness 1-6mm

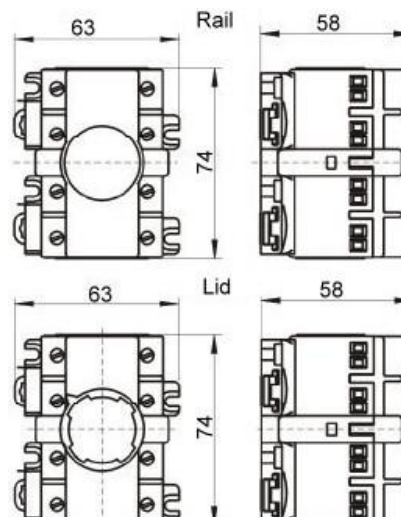
Certificates

ATEX, IECEx, GOST TC-RU

Marking

⊕ II 2G Ex de IIC Gb / ⊕ II 2D Ex tD A21 IP66

Dimensional drawing



QX-0201-P/S..5...



Ex Switching component 4-pole

Local Control Components



Order No.

	Contact Scheme 2 NC / 2 NO		Order number QX-201-			
	4 NC		□□ □51□□			
	4 NO		□□ □52□□			
	1 NC / 3 NO		□□ □53□□			
	3 NC / 1 NO		□□ □54□□			
6 — rail mounting 7 — lid mounting code for pushbutton label see page 2 of pushbutton						
Code →	P1	P2	P3	P4	Y0	Y1
Operator	Push button	Double push button	Emergency button	Black mushroom button	Red mushroom button with key	Button with key

	Label	Contact scheme	Order No. QX-0201-
			S6 □ 50 02
			S6 □ 52 01
			S6 □ 54 01
			S4 □ 52 04
			S5 □ 52 04
			S8 □ 52 04
			S4 □ 50 03
			S5 □ 50 03
		S8 □ 50 05	
6 — rail mounting 7 — lid mounting			

The markings of the handle can be interchanged.
 Simply use the last two digits of that image.
 E.g.: instead of **0 • I** at **S8 6 50 05**
 it should be **I 0 II**
 adapted order number: **S8 6 50 04**

QX-0201-Y0...

Ex Emergency Stop / Mushroom Pushbutton with key, red



Local Control Components



- High switching capacity
- Usable as latching or spring return
- International certificates
- Robust construction

Description

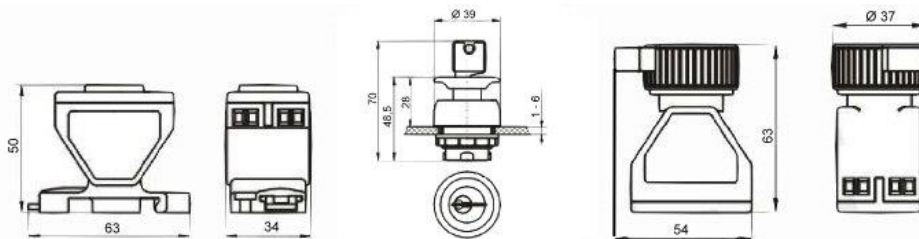
Emergency Stop / Mushroom Pushbutton with key for assembling of control panels or local control stations.

Robust and reliable construction with 2,5mm² silver contact terminals and nominal voltage up to 250V.

Different switching combinations are possible.

The key can be removed in both positions.

Used as Emergency function only with key releasable.



Possible Application

- Control Panels
- Local control stations

Technical Data

Zone:	1 / 2 / 21 / 22
Nominal voltage max.:	250VAC / 110VDC
Current @ 250VAC:	AC12: 16A @ ≤40°C AC15: 10A @ ≤60°C
Current @ 110VDC:	DC12: 0,5A @ ≤60°C
Current @ 24VDC:	DC13: 1A @ ≤60°C
Terminals:	2x 2,5mm ² , Silver
Ingress protection:	IP 66
Temperature range:	-55..+60°C
Dimension (mm):	pls. see drawing
Mechanical life:	1.000.000 cycles
Mounting possibilities:	Backside – DIN-Rail Lid
Lid Mounting:	Thickness 1-6mm

Certificates

ATEX, IECEx, GOST TC-RU

Marking

Ⓔ II 2G Ex de IIC Gb / Ⓔ II 2D Ex tD A21 IP66

Order no.

Rail mounting		QX-0201-Y0 60
		QX-0201-Y0 61
		QX-0201-Y0 62
Lid mounting		QX-0201-Y0 70
		QX-0201-Y0 71
		QX-0201-Y0 72

QX-0201-Y1...

Ex Key Switch



Local Control Function



- High switching capacity
- Usable as latching or spring return
- International certificates
- Robust construction

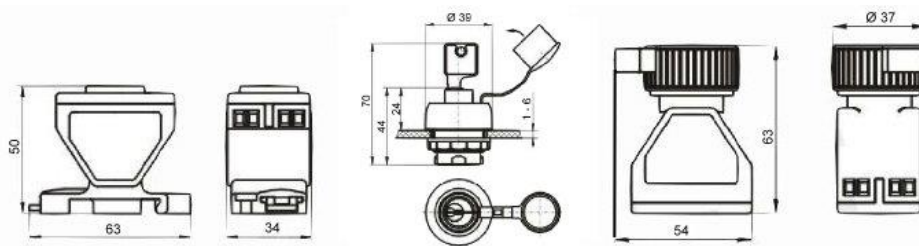
Description

Key switch for assembling of control panels or local control stations.

Robust and reliable construction with 2,5mm² silver contact terminals and nominal voltage up to 250V.

Different switching combinations are possible.

The key can be removed in both positions.



Possible Application

- Control Panels
- Local control stations

Technical Data

Zone:	1 / 2 / 21 / 22
Nominal voltage max.:	250VAC / 110VDC
Current @ 250VAC:	AC12: 16A @ ≤40°C AC15: 10A @ ≤60°C
Current @ 110VDC:	DC12: 0,5A @ ≤60°C
Current @ 24VDC:	DC13: 1A @ ≤60°C
Terminals:	2x 2,5mm ² , Silver
Ingress protection:	IP 66
Temperature range:	-55..+60°C
Dimension (mm):	pls. see drawing
Mechanical life:	1.000.000 cycles
Mounting possibilities:	Backside – DIN-Rail Lid
Lid Mounting:	Thickness 1-6mm

Certificates

ATEX, IECEx, GOST TC-RU

Marking

⊕ II 2G Ex de IIC Gb / ⊕ II 2D Ex tD A21 IP66

Order no.

Rail mounting		QX-0201-Y1 60
		QX-0201-Y1 61
		QX-0201-Y1 62
Lid mounting		QX-0201-Y1 70
		QX-0201-Y1 71
		QX-0201-Y1 72

QX-0202-...

Ex Indication Lamp



Local Control Components



- High luminance
- Wide supply voltage range
- International certificates
- Robust construction

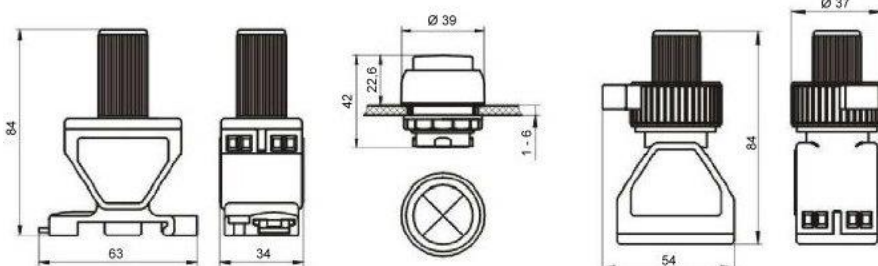
Description

Indication lamp for assembling of control panels or local control stations.

Robust and reliable construction with 2,5mm² silver contact terminals and nominal voltage up to 250V.

Because of the high luminance they are usable within daylight.

Low power consumption because of LED technique. Different colours are available.



Possible Application

- Control Panels
- Local control stations

Technical Data

Zone:	1 / 2 / 21 / 22
Nominal Voltage:	20-250V AC/DC
Optional:	12-28V AC/DC 250-400V AC
Terminals:	2x 2,5mm ² , Silver contact
Ingress protection:	IP 66
Temperature range:	-55..+60°C
Power consumption:	≤1W
Dimension (mm):	pls. see drawing
Lifetime:	100.000 h
Mounting possibilities:	Backside – DIN-Rail Lid
Lid Mounting:	Thickness 1-6mm

Certificates

ATEX, IECEx, GOST TC-RU

Marking

 Ex II 2G Ex de IIC Gb / Ex II 2D Ex tD A21 IP66

Order no.

Rail mounting	Lid mounting	Colour
QX-0202-LR60x	QX-0202-LR70x	Red
QX-0202-LG60x	QX-0202-LG70x	Green
QX-0202-LY60x	QX-0202-LY70x	Yellow
QX-0202-LB60x	QX-0202-LB70x	Blue
QX-0202-LW60x	QX-0202-LW70x	White

x=1: 20-250V AC/DC x=0: 12-28V AC/DC

QX-0212-...

Ex Illuminated Pushbutton



Local Control Components



- High luminance
- Wide supply voltage range
- International certificates
- Robust construction

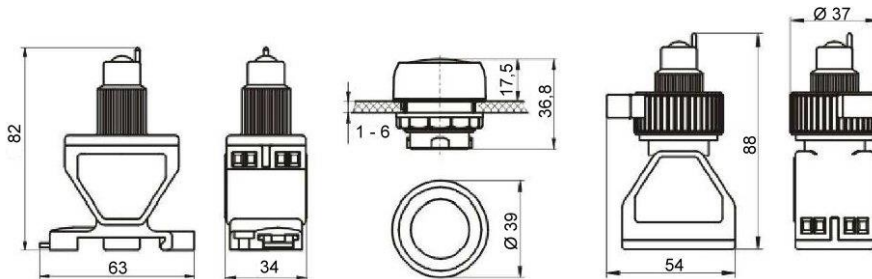
Description

Illuminated Pushbutton for assembling of control panels or local control stations.

Robust and reliable construction with 2,5mm² silver contact terminals and nominal voltage up to 250V.

Because of the high luminance they are usable within daylight.

Low power consumption because of LED technique. Different colours are available.



Possible Application

- Control Panels
- Local control stations

Technical Data

Zone:	1 / 2 / 21 / 22
Nominal Voltage:	20-250V AC/DC
optional:	12-28V AC/DC
Switching capacity:	AC15: 6A @ 250V DC13: 1A @ 24V
Terminals:	2x 2,5mm ² , Silver contact
Ingress protection:	IP 66
Temperature range:	-55..+60°C
Power consumption:	≤1W
Dimension (mm):	pls. see drawing
Mechanical life:	300.000 cycles
Mounting possibilities:	Backside – DIN-Rail Lid
Lid Mounting:	Thickness 1-6mm

Certificates

ATEX, IECEx, GOST TC-RU

Marking

Ex II 2G Ex de IIC Gb / Ex II 2D Ex tD A21 IP66

Order no.

Rail	Lid	Colour	Contact
QX-0212-..	QX-0212-..		
..PR630x	..PR730x	Red	
..PG630x	..PG730x	Green	
..PY630x	..PY730x	Yellow	
..PB630x	..PB730x	Blue	
..PW630x	..PW730x	White	
..PR640x	..PR740x	Red	
..PG640x	..PG740x	Green	
..PY640x	..PY740x	Yellow	
..PB640x	..PB740x	Blue	
..PW640x	..PW740x	White	

x=1: 20-250V AC/DC x=0: 12-28V AC/DC

QX-0203-DW...

Ex Potentiometer



Local Control Components



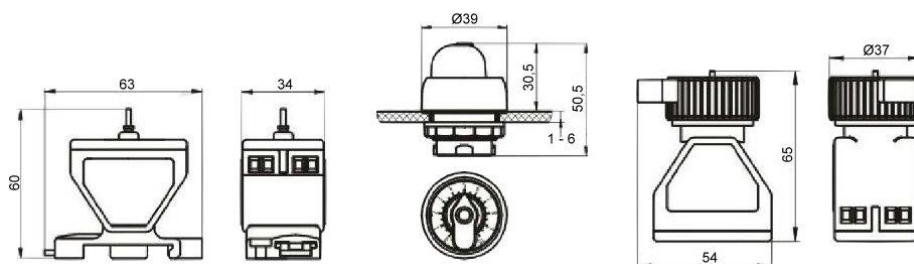
- Wide value range
- Exact adjustable
- International certificates
- Robust construction

Description

Potentiometer for assembling of control panels or local control stations.

Robust and reliable construction with 2,5mm² silver contact terminals and nominal voltage up to 250V.

The Potentiometer has got 3-poles, adjustable from 0 to 100%.



Possible Application

- Control Panels
- Local control stations

Technical Data

Zone:	1 / 2 / 21 / 22
Nominal Voltage max.:	200VDC
Power max.:	0,1W
Terminals:	2x 2,5mm ² , Silver
Ingress protection:	IP 66
Temperature range:	-55..+60°C
Dimension (mm):	pls. see drawing
Range:	0-100%
Mounting possibilities:	Backside – DIN-Rail Lid
Lid Mounting:	Thickness 1-6mm

Certificates

ATEX, IECEx, GOST TC-RU

Marking

⊕ II 2G Ex de IIC Gb / ⊕ II 2D Ex tD A21 IP66

Order no.

x = 6: Rail mounting / x = 7: Lid mounting

Value	Order number
100 Ω	QX-0203-DWx01
200 Ω	QX-0203-DWx02
500 Ω	QX-0203-DWx03
1.000 Ω	QX-0203-DWx04
2.000 Ω	QX-0203-DWx05
5.000 Ω	QX-0203-DWx06
10.000 Ω	QX-0203-DWx07
20.000 Ω	QX-0203-DWx08
50.000 Ω	QX-0203-DWx09
100.000 Ω	QX-0203-DWx10
200.000 Ω	QX-0203-DWx11
500.000 Ω	QX-0203-DWx12
1.000.000 Ω	QX-0203-DWx13
2.000.000 Ω	QX-0203-DWx14

QX-0205...

Ex Ampere- / Voltmeter



Local Control Components



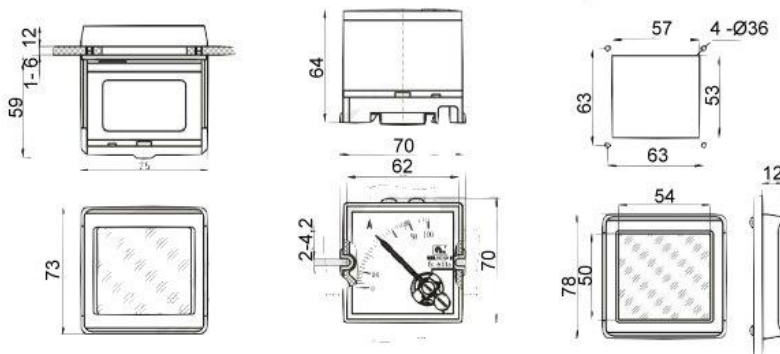
- Wide measurement range
- Moving iron instrument
- International certificates
- Robust construction

Description

Ampere- / Voltmeter for assembling of control panels or local control stations.

Robust and reliable construction with 2,5mm² terminals.

Direct and indirect measurement (by current transformer) available.



Possible Application

- Control Panels
- Local control stations

Technical Data

Zone:	1 / 2 / 21 / 22
Measurement range:	pls. see table
Accuracy class:	1,5
For current transformer:	1 or 5A
Overload scale factor:	2 or 5-fold
Terminals:	2x 2,5mm ² , Silver
Ingress protection:	IP 66
Temperature range:	-55..+60°C
Dimension (mm):	pls. see drawing
Mounting possibilities:	Backside – DIN-Rail Lid
Lid Mounting:	Thickness 1-6mm

Certificates

ATEX, IECEx, GOST TC-RU

Marking

Ex II 2G Ex e IIC Gb
Ex II 2D Ex tD A21 IP66

Order no.

Pls. see next page





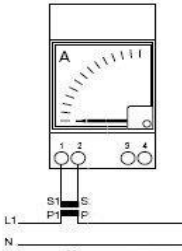






QX-0205...

Ex Ampere- / Voltmeter

Local Control Components



 Schienenmontage  Deckelmontage  EXM  EXM  connection to transformer	Calotte	Measuring method	Overload factor	Measuring range	Order number QX- 0205-
	EXM		Direct measurement	2	0-1 / 2A 0-4 / 8A 0-5 / 10A 0-10 / 20A 0-15 / 30A
		Transformer	2	0-1 / 2A 0-2.5 / 5A 0-5 / 10A 0-15 / 30A 0-25 / 50A 0-40 / 80A 0-50 / 100A 0-60 / 120A 0-75 / 150A 0-100 / 200A 0-150 / 300A 0-200 / 400A 0-250 / 500A 0-300 / 600A 0-400 / 800A 0-500 / 1000A 0-600 / 1200A	M□WA 01 / □-2 M□WA 2.5 / □-2 M□WA 5 / □-2 M□WA 15 / □-2 M□WA 25 / □-2 M□WA 40 / □-2 M□WA 50 / □-2 M□WA 60 / □-2 M□WA 75 / □-2 M□WA 100 / □-2 M□WA 150 / □-2 M□WA 200 / □-2 M□WA 250 / □-2 M□WA 300 / □-2 M□WA 400 / □-2 M□WA 500 / □-2 M□WA 600 / □-2
		Transformer	5	0-1 / 5A 0-2.5 / 12.5A 0-5 / 25A 0-15 / 75A 0-25 / 125A 0-40 / 200A 0-50 / 250A 0-60 / 300A 0-75 / 375A 0-100 / 500A 0-150 / 750A 0-200 / 1000A 0-250 / 1250A 0-300 / 1500A 0-400 / 2000A 0-500 / 2500A 0-600 / 3000A	M□WA 01 / □-5 M□WA 2.5 / □-5 M□WA 5 / □-5 M□WA 15 / □-5 M□WA 25 / □-5 M□WA 40 / □-5 M□WA 50 / □-5 M□WA 60 / □-5 M□WA 75 / □-5 M□WA 100 / □-5 M□WA 150 / □-5 M□WA 200 / □-5 M□WA 250 / □-5 M□WA 300 / □-5 M□WA 400 / □-5 M□WA 500 / □-5 M□WA 600 / □-5
				6 --- rail mounting 7 --- lid mounting connection to transformer	

 	Calotte	Measurement range (AC)	Order number QX-0205-
	EXM		0-25V 0-40V 0-150V 0-250V 0-500V
		6 --- rail mounting 7 --- lid mounting	









QX-02/...

Accessories for Local Control Components



Local Control Components



	QX-02/4031/1	<p>Label This label is used for identification of local control components and will be supplied laser engraved on demand.</p>
	QX-02/4031/4	<p>Label large This label is used for identification of large selector switches and will be supplied laser engraved on demand.</p>
	QX-02/4003/1	<p>Emergency-Stop label, round For sticking on the surface under the button</p>
	QX-02/4003/2	<p>Emergency-Stop label, crosswise For sticking on the surface under the button</p>
	QX-02/4009-25	<p>Overhanging part The overhanging part is used for the buttons of hoist and other moveable control functions together with M25 glands</p>
	QX-02/4006	<p>Socket Spanner This tool is used for mounting of operators in the lid.</p>
	QX-02/4019	<p>Safety catch This will avoid accidentally use of the operators</p>
	QX-02/4019/2	<p>Safety catch / Shroud for Emergency stop button To prevent from accidentally use of the Emergency stop button.</p>
	QX-02/4019/2+9	<p>Safety catch / Shroud for Emergency stop button lockable To prevent from accidentally use of the Emergency stop button. Furthermore the Emergency stop button can be fixed and interlocked by a bow.</p>

FL-086...

Ex Approved Fluorescent Light Fitting

Ex Light Fittings



- Wide range of power supply
- Robust construction
- Available with emergency function
- Interlock by opening lid
- Easy installation
- Various mounting accessories available

Description

The full plastic explosion proof fluorescent light fittings are made of glassfibre reinforced Polyester. The transparent lid is manufactured from UV-resistant polycarbonate.

Using the emergency version, one tube will be continues lighting by integrated battery after breakdown of power supply.

The disconnect switch is actuated by the latch. Following explosion-proof components are installed: electronic ballast, isolation switch, lamp holders, terminals fuse and optional battery.

Installation can be hung as a ceiling on chains, made to bracket with distance from the ceiling, wall mount or clamp-on.

Philips two-pin fluorescent tubes are used as lamps and are part of supply.



Technical Data

Nominal Voltage:	110..240VAC 50/60Hz
Terminals:	L, N, PE each 2 x 1,5-10mm ²
Ingress protection:	IP66
Temperature range:	-25..+40 °C
Power factor λ:	> 0,98
Energy efficiency index:	EEI = A2
Temperature class:	T4
Lamp holder / tube type:	G13 / T8
Cable glands:	1x M25x1,5 (8-17mm)
Blind plugs:	2x M25x1,5
With emergency function:	
Emergency illuminating time:	>120min
Charging / Starting time:	24h / 0,1sek.
Dimensions (mm):	
2x18W:	725 x 222 x 145
2x36W:	1335 x 222 x 145
Weights	
2x18W:	5,0Kg / emerg. 6,8Kg
2x36W:	7,9Kg / emerg. 9,9Kg

Possible Application

Ex Zone 1 / 2 / 21 / 22

Certificates

ATEX, IECEx

Marking

Without Fuse:

Ⓔ II 2GD Ex deq IIC T4 Gb / Ex tD A21 T80°

With Fuse:

Ⓔ II 2GD Ex deqmb IIC T4 Gb / Ex tD A21 T80°

Order no.

Without emergency function:

2x18W: FL-0865 2x18W-1-B

2x36W: FL-0866 2x36W-1-B

With emergency function:

2x18W: FL-0865 2x18W-1-YJ-B

2x36W: FL-0866 2x36W-1-YJ-B

All Lamps are supplied with 2 mounting brackets for ceiling / wall mounting.

FL-086...

Ex Approved Fluorescent Light Fitting

Erfahrung ist Zukunft

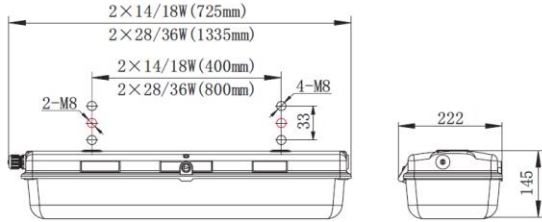


Ex Light Fittings

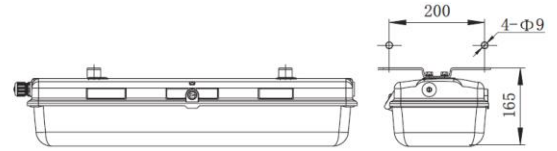


Mounting accessories

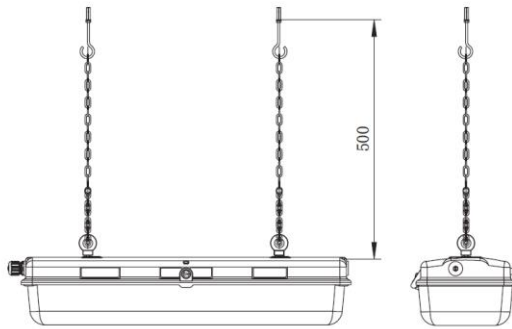
Further mounting accessories is available on request



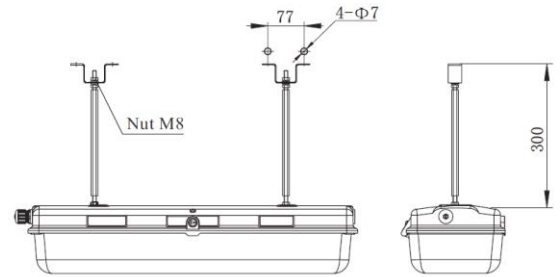
Dimensions



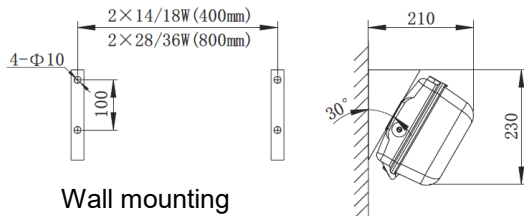
Ceiling mounting



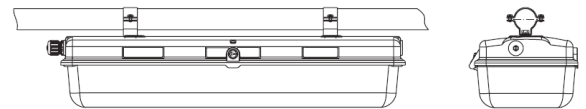
Chain mounting



Ceiling bracket with distance

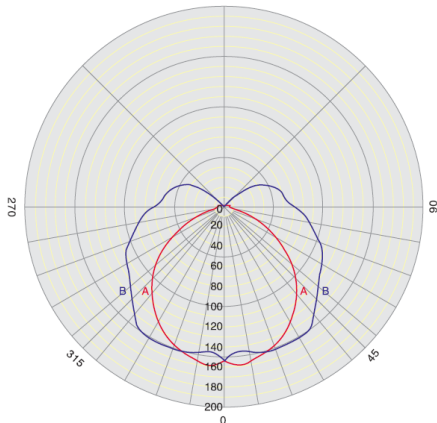


Wall mounting

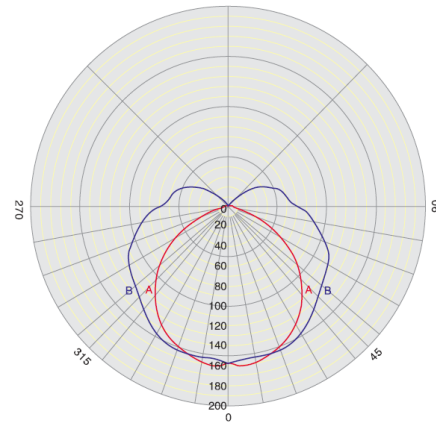


Clap-on

Luminous intensity 2x18W: I (cd / 1000lm)



2x36W: I (cd / 1000lm)



ST...

Ex approved signal tower in flameproof enclosure

Ex-d Signal Tower



- For Gas- and Dust Ex, Zone 1/2/21/22
- Latest LED-Technique
- Assembly with line bushing
- Flexible assembling with lamp modules
- Very robust structure
- High chemical resistance

Description

The Ex approved signal tower is equipped with latest technology, bright and maintenance free LED-technique.

Applications are status indication, fault indication, level indication, access authorisation and traffic lights.

There are 2 different sizes of enclosures available. One for up to 4 (430mm) and the other for 5 (470mm) signal lamps.

The signal towers are delivered with cable gland or ready installed and connected line bushing.

Advantage of the line bushing is a pre-wired and ready-for-connection unit.

There are up to 2 cable glands or line bushings possible. So you can easily connect more signal towers in line.



Possible application

- Petro chemistry / Refinery / Offshore
- Wastewater industry / Sewage treatment
- Shipbuilding / Tanker
- Tank farm / Filling station
- Ex-manufacturing plant

Technical Data

Material: Aluminium die casting with tube of borosilicate glass

Dimension: 430(470)x174x210mm

Fixing centres: 345(385)mm / 2x10Ø

Ingress protection: IP 66

Impact resistance: 7 Joule

Temperature range: -40...+50°C

Weight:

- 1..4 Modules: 5,7 kg
- 5 Modules: 6,0 kg

Certificates

ATEX, Zone 1 / 2 / 21 / 22

Marking

II 2G Ex db IIC T6/T5

II 2D Ex db IIIC T120°C

Technical Data of Modules

Steady light 24V AC/DC: I=0,054A

Steady light 230V AC: I=0,028A

Steady light 110V AC: I=0,031A

Flash light 24V AC/DC: I=0,136A

Flash light 230V AC: I=0,01A

Flash light 110V AC: I=0,01A

Light source: 12 pcs LEDs per Module

Lifespan: up to 100.000h

Equal uninterrupted use > 10 Years

Terminals in cage clamp technology:

up to 2,5mm² / 14AWG

ST...



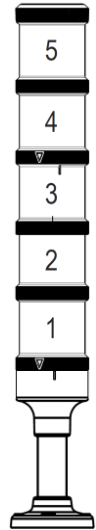
Ex approved signal tower in flameproof enclosure

Ex-d Signal Tower



Order key

	ST	-	U	-	M1	-	M2	-	M3	-	M4	-	M5
<p>Quintex Signal Tower</p> <p>Voltage: 1 = 24V AC/DC +/-10% 2 = 230/240V AC +/-10% 3 = 110/120V AC +/-10%</p> <p>Module 1...5 colour and function R = red / G = green / Y = yellow / O = orange (amber) / B = blue / W = white (clear) X = red flashlight / Z = orange flashlight</p>													



Sample for standard signal tower:
ST-1-G-O-R: (Voltage = 24VDC / Module1 = green / Module2 = orange / Module3 = red)

Accessories

The signal towers are supplied as standard with 2 blind plugs M20.
We assemble the appropriate cable glands on request. For this we need with the order the desired cable diameters.
Furthermore we equip the signal tower with optional line bushings. For this we need with the order the desired cable length and type (standard is Ölflex 5G0,75 or 7G0,75).

Connection types

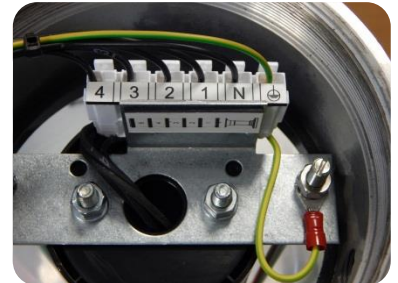
Line bushing:



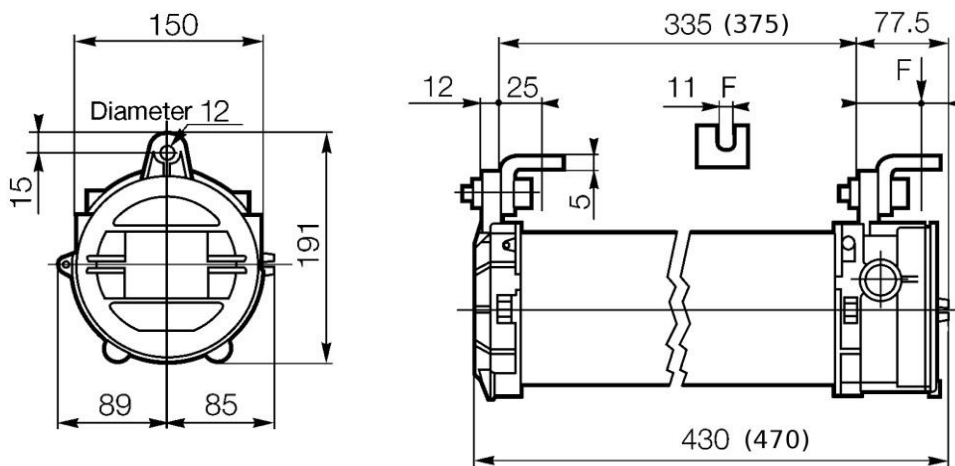
Cable gland:



Connection terminal:

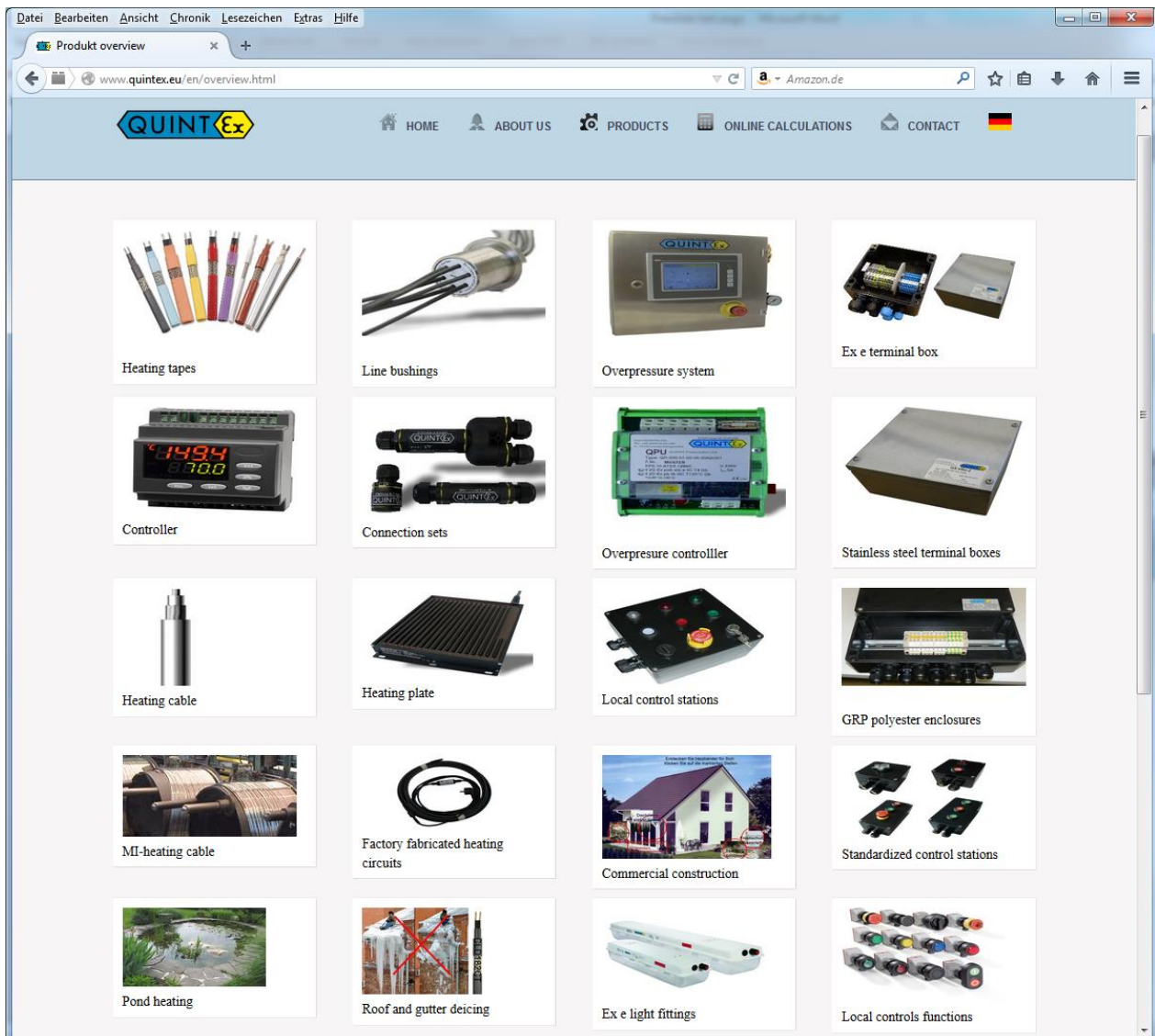


Dimension drawing



Please visit our Webpage to see the latest information about Quintex

If you need quick help, please use our online chat.
Free of charge and easy to use





**SCATTERGOOD
& JOHNSON LTD**
ELECTRICAL ENGINEERING & FLUID CONTROL DISTRIBUTORS

Est.1899

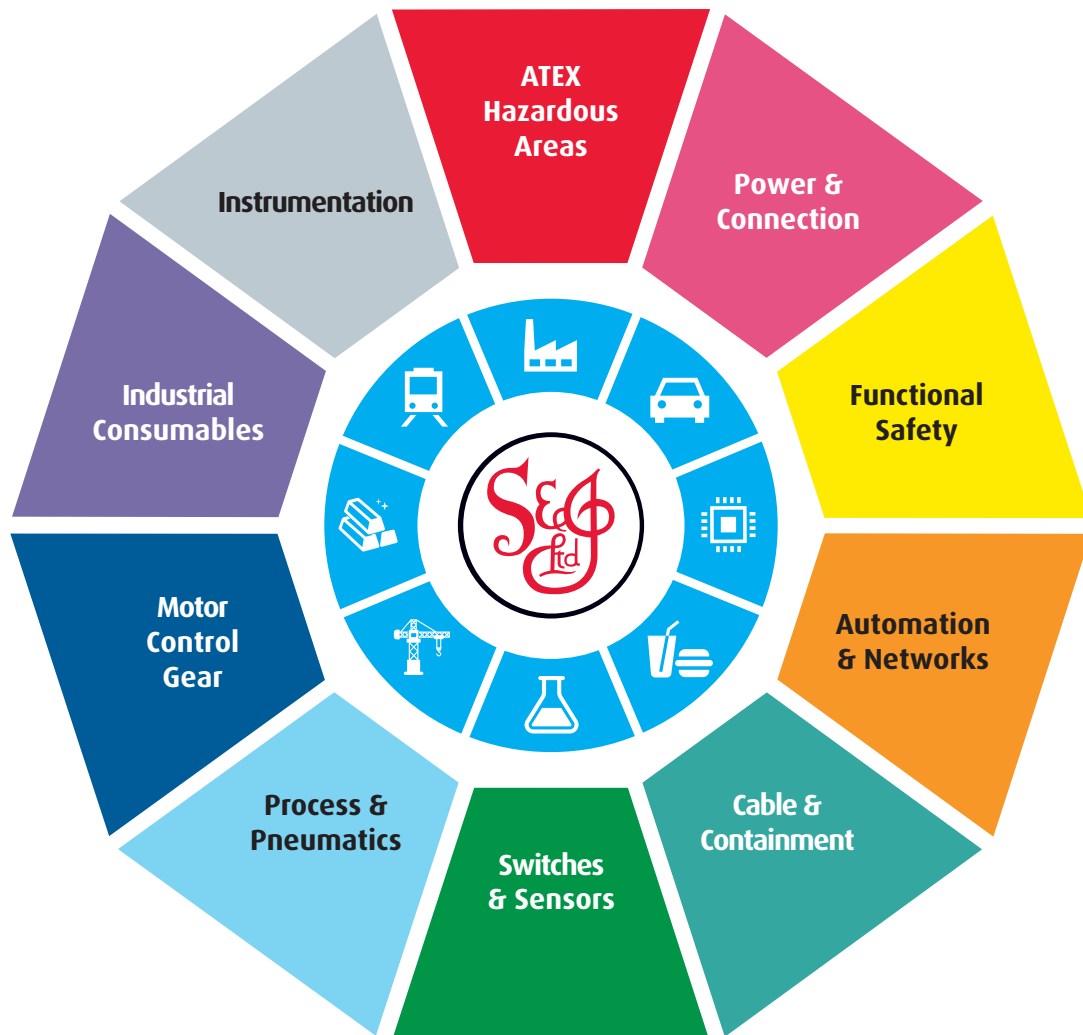
At Scattergood & Johnson Ltd, we pride ourselves on being a technical distributor to specialist industries.

Working with a range of quality product manufacturers across a number of specialist markets, we are not your average 'box shifter' - we are your technical and supply chain partner.

We fully support every product we sell - for free! Our internal team and external sales engineers can answer any product or application question, no matter the complexity.

Backing up this technical ability is a range of 50,000+ products available from stock for nationwide next day delivery (same day if required!), or you can collect what you need from any of our trade counters around the UK.

Select your specialist interest below to learn more about how we can help.



Online, In Branch and On the Road - Scattergood & Johnson Ltd, there when you need us.

www.scatts.co.uk