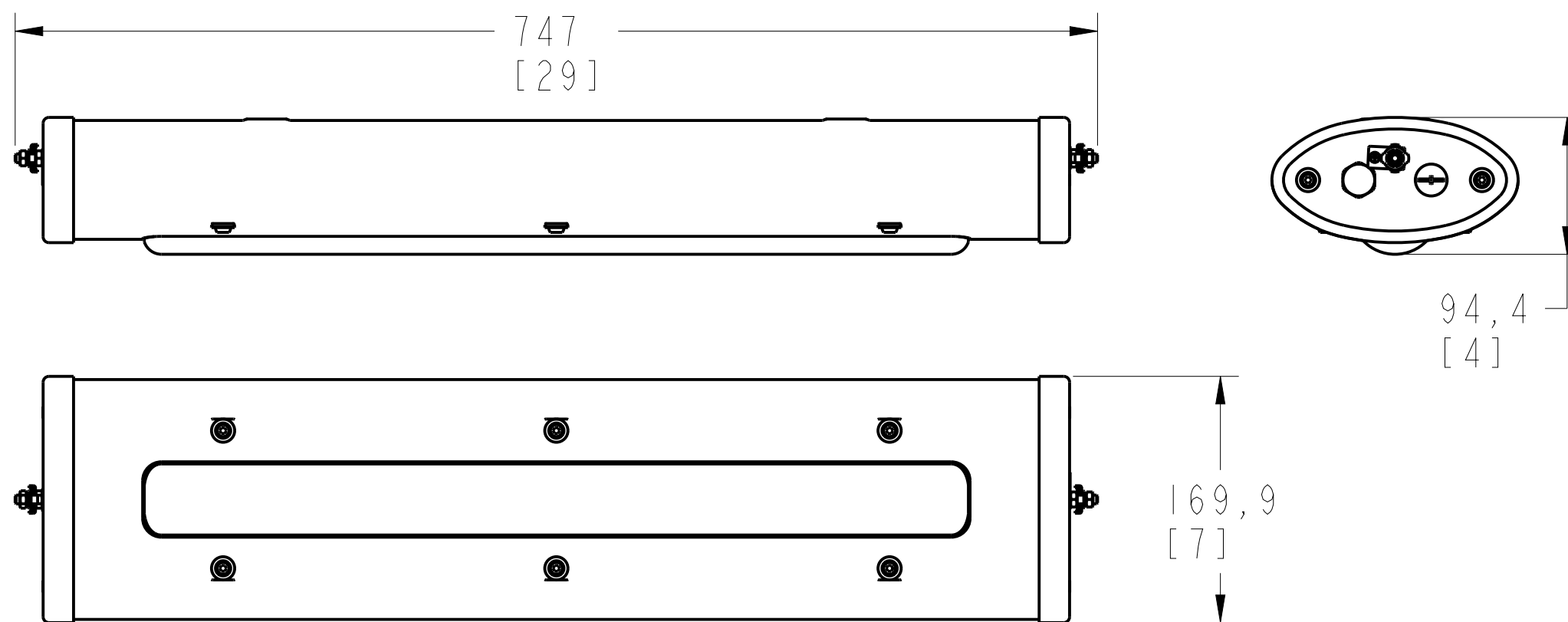
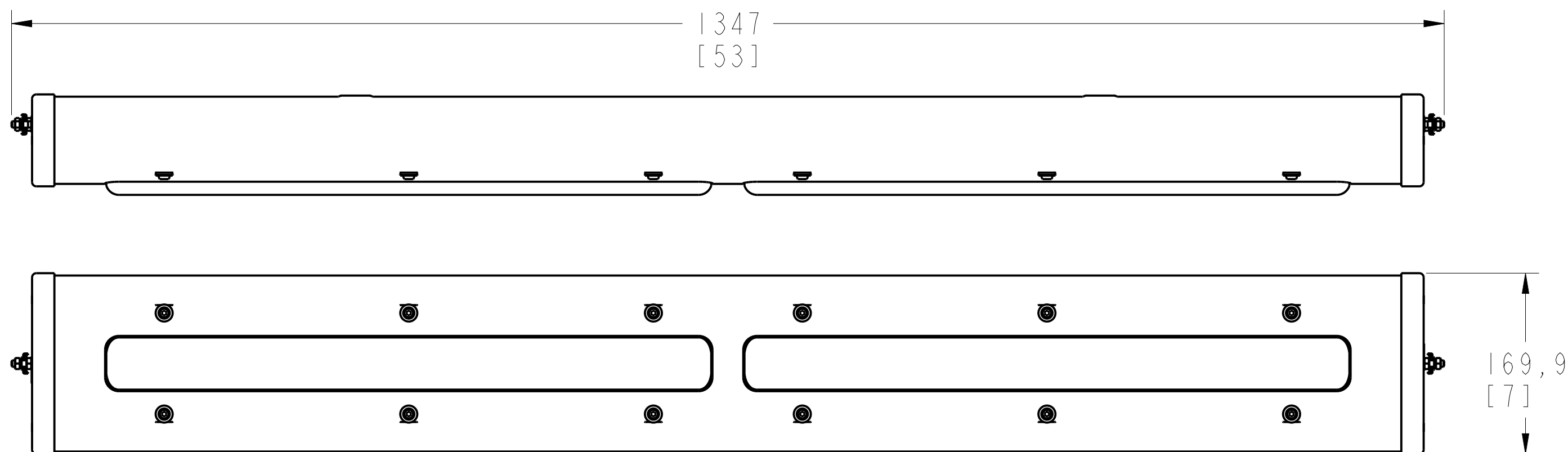



REV	ECN NO	REVISIONS	DRN	DATE
A	---	NEW RELEASE	NBG	08/09/17

2 FT. NON-EMERGENCY

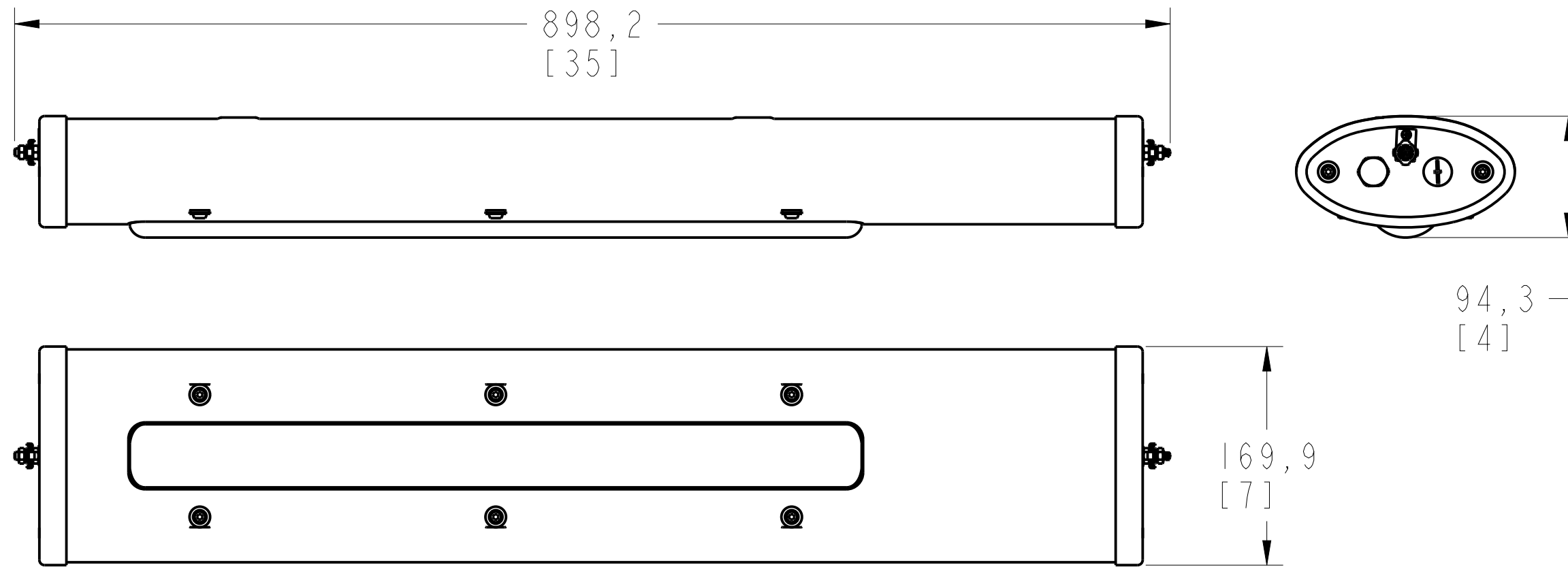


4 FT. NON-EMERGENCY

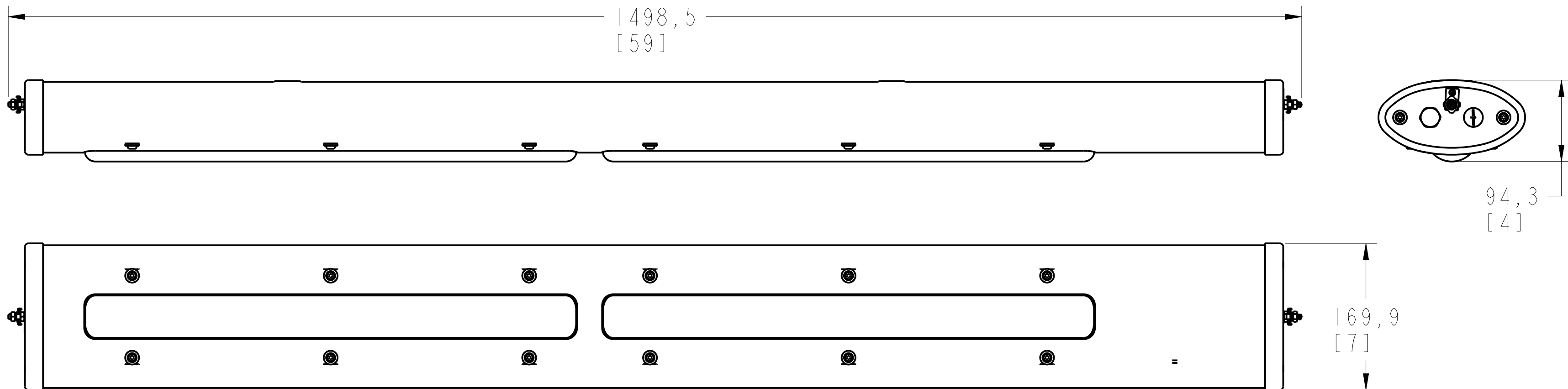


THIS DRAWING AND THE CONTENTS HEREIN ARE CONFIDENTIAL AND THE SOLE PROPERTY OF DIALIGHT CORP. REPRODUCTION OF THIS DRAWING OR CONSTRUCTION OF ANY PARTS WITHIN THIS DRAWING ARE FORBIDDEN WITHOUT THE WRITTEN CONSENT OF DIALIGHT CORP.		
DIALIGHT CORP. INTERNAL REFERENCE ONLY = 3D MODEL : ELA1C3RSSCB-A-4		
SCALE: 0.250	DRAWING NUMBER	REV
ALL DIM'S IN: INCHES (MM)	C-18348	A
TOLERANCES: UNLESS OTHERWISE SPECIFIED	TITLE STAINLESS STEEL LINEAR VARIATIONS	
FRACTIONS: ±1/64	MATERIAL	
DECIMALS (.XX): ±.01		
DECIMALS (.XXX): ±.005		
DECIMALS (.XXXX): ±.0005		
ANGLES: ±1°		
FINISH	 1501 ROUTE 34 SOUTH FARMINGDALE, NJ 07727 (732) 919-3119 www.dialight.com	
FSCM 83330	SHEET 1 OF 2	FAMILY TABLE:

2 FT. EMERGENCY



4 FT. EMERGENCY



THIS DRAWING AND THE CONTENTS HEREIN ARE CONFIDENTIAL AND THE SOLE PROPERTY OF DIALIGHT CORP. REPRODUCTION OF THIS DRAWING OR CONSTRUCTION OF ANY PARTS WITHIN THIS DRAWING ARE FORBIDDEN WITHOUT THE WRITTEN CONSENT OF DIALIGHT CORP. DIALIGHT CORP. INTERNAL REFERENCE ONLY = 3D MODEL: ELA1C3R55CB-A.4		
SCALE: 0.091	DRAWING NUMBER	REV
ALL DIM'S IN: INCHES (MM)	C-18348	A
TOLERANCES: UNLESS OTHERWISE SPECIFIED	TITLE STAINLESS STEEL LINEAR VARIATIONS	
FRACTIONS: ±1/64	MATERIAL	
DECIMALS (.XX): ±.01		
DECIMALS (.XXX): ±.005		
DECIMALS (.XXXX): ±.0005		
ANGLES: ±1°		
FINISH	1501 ROUTE 34 SOUTH FARMINGDALE, NJ 07727 (732) 919-3119 www.dialight.com	
FSCM 83330	SHEET 2 OF 2	FAMILY TABLE:



**SCATTERGOOD
& JOHNSON LTD**
ELECTRICAL ENGINEERING & FLUID CONTROL DISTRIBUTORS

Est.1899

At Scattergood & Johnson Ltd, we pride ourselves on being a technical distributor to specialist industries.

Working with a range of quality product manufacturers across a number of specialist markets, we are not your average 'box shifter' - we are your technical and supply chain partner.

We fully support every product we sell - for free! Our internal team and external sales engineers can answer any product or application question, no matter the complexity.

Backing up this technical ability is a range of 50,000+ products available from stock for nationwide next day delivery (same day if required!), or you can collect what you need from any of our trade counters around the UK.

Select your specialist interest below to learn more about how we can help.



Online, In Branch and On the Road - Scattergood & Johnson Ltd, there when you need us.

www.scatts.co.uk