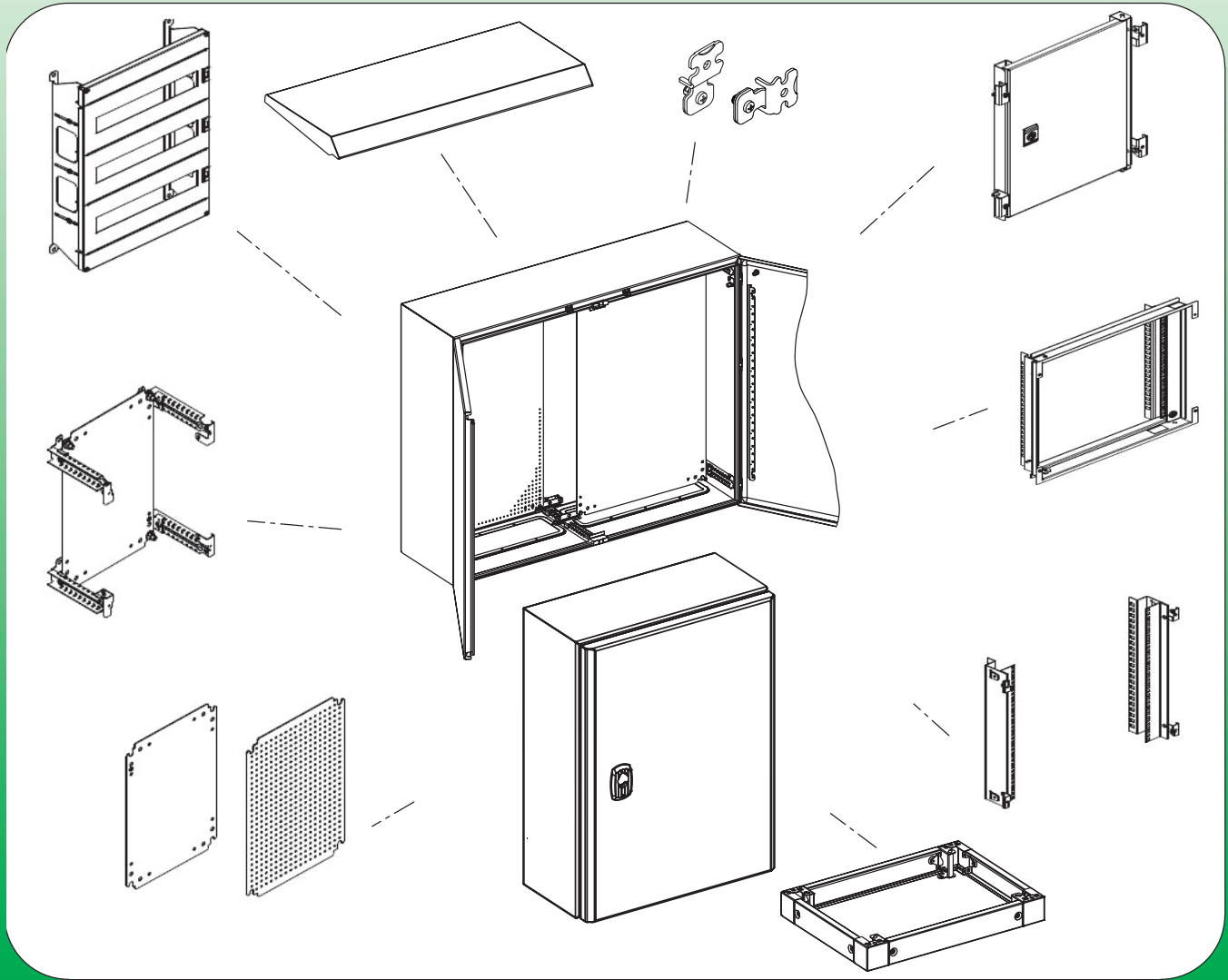
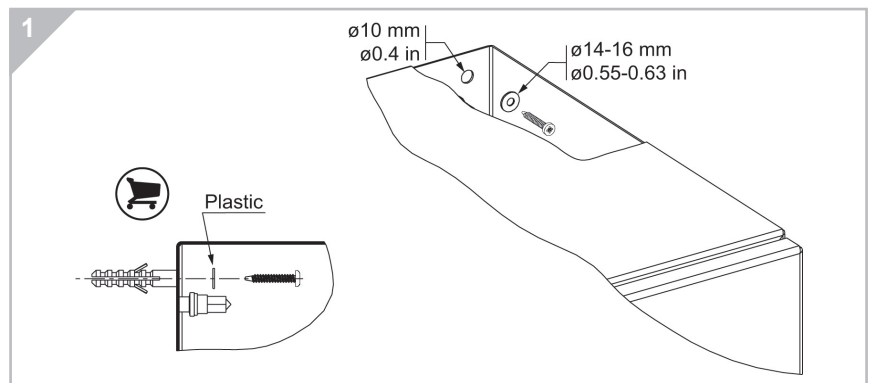
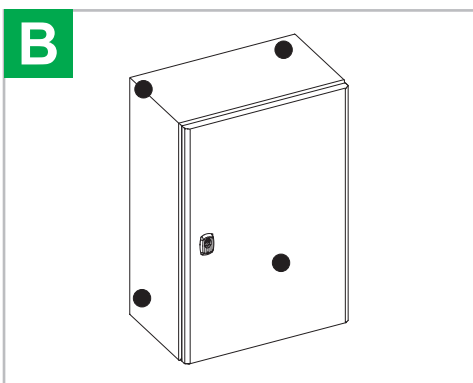
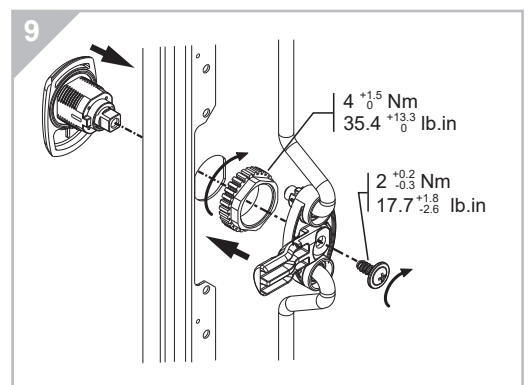
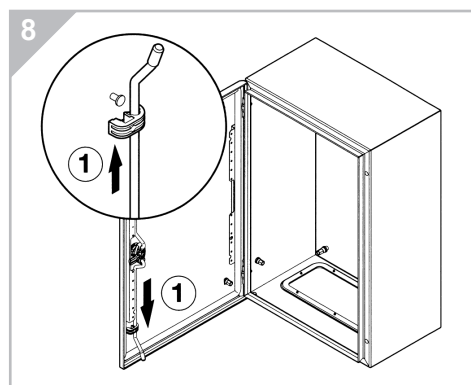
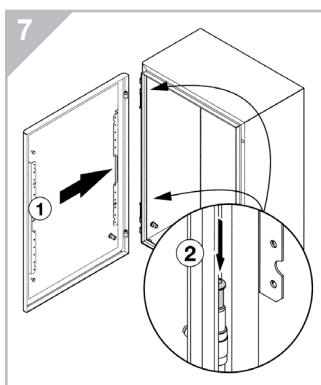
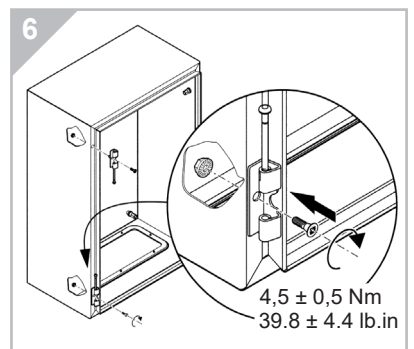
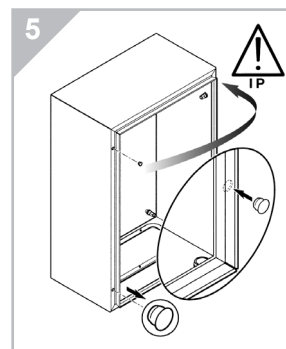
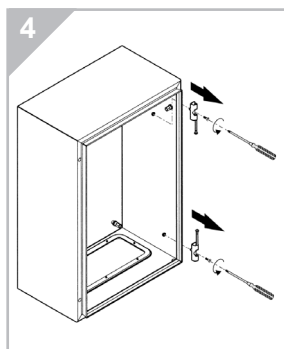
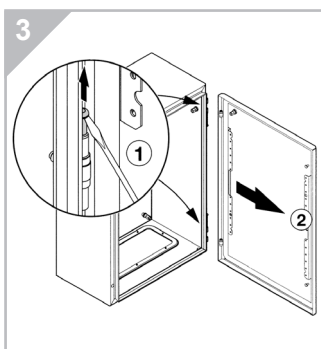
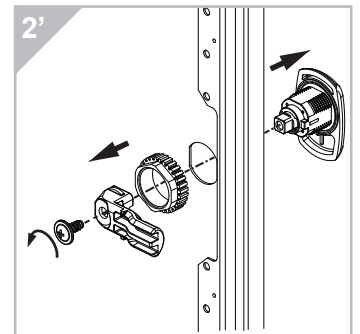
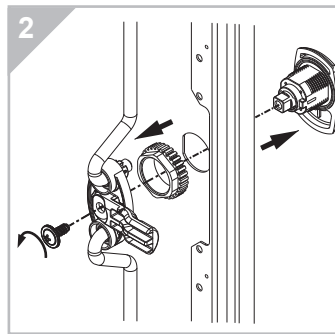
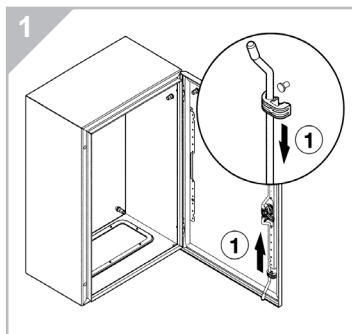
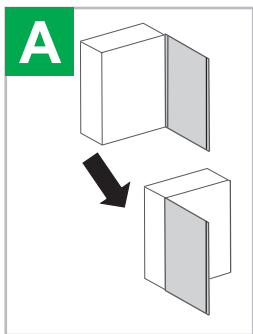
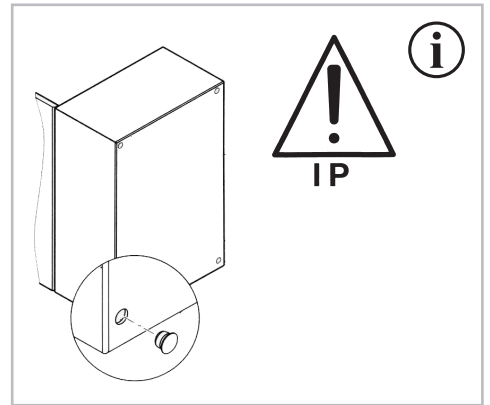
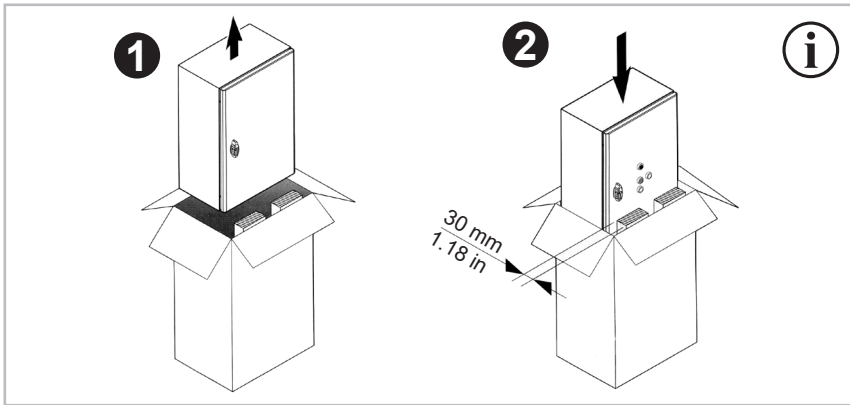


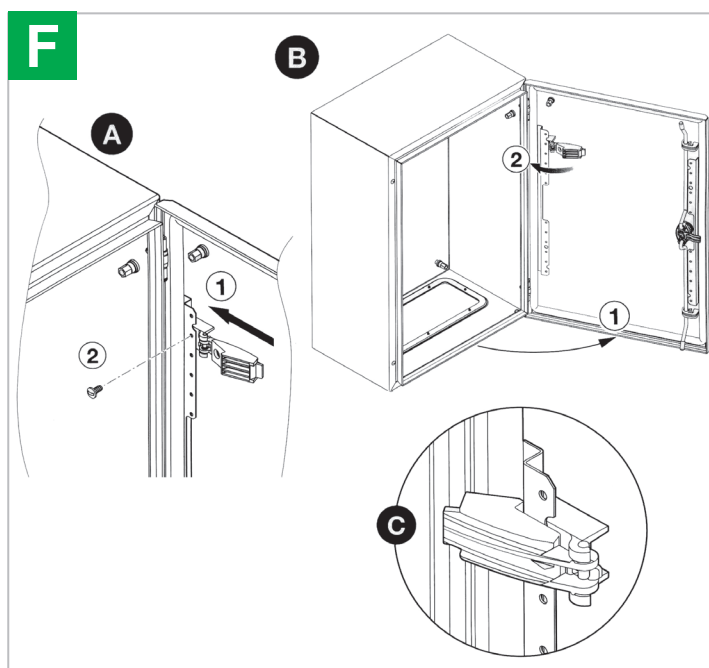
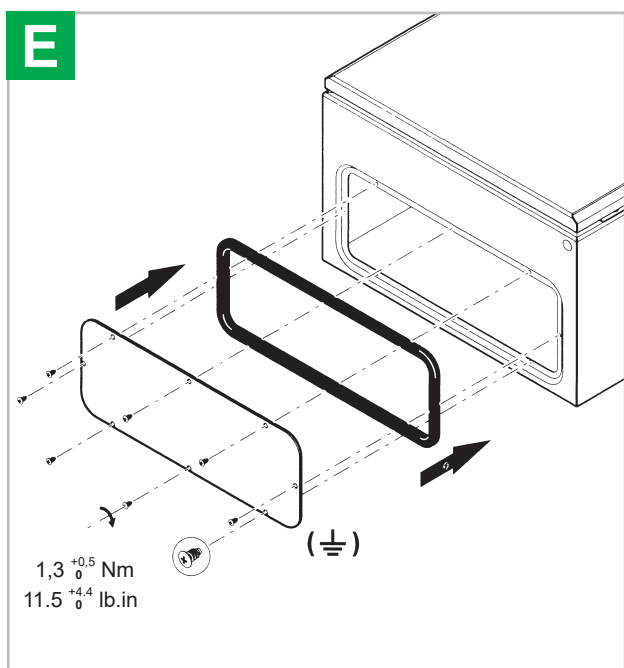
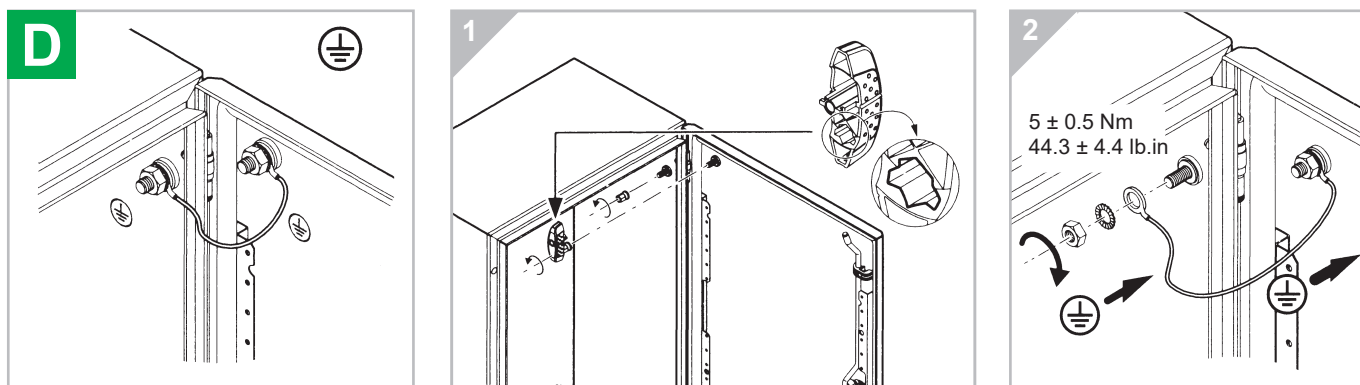
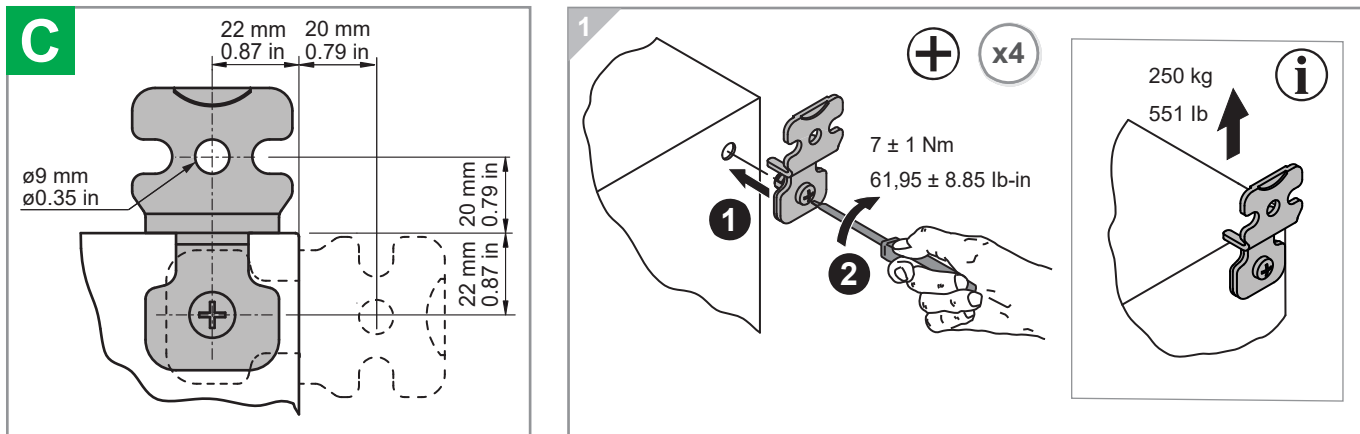
# Spacial S3D



**Notice de montage**  
**Montageanleitung**  
**Assembly instructions**  
**Montage-instructie**  
**Instrucciones de montaje**  
**Istruzioni di montaggio**

**Coffrets**  
**Gehäuse**  
**Enclosure**  
**Kasten**  
**Cajas**  
**Custodie**



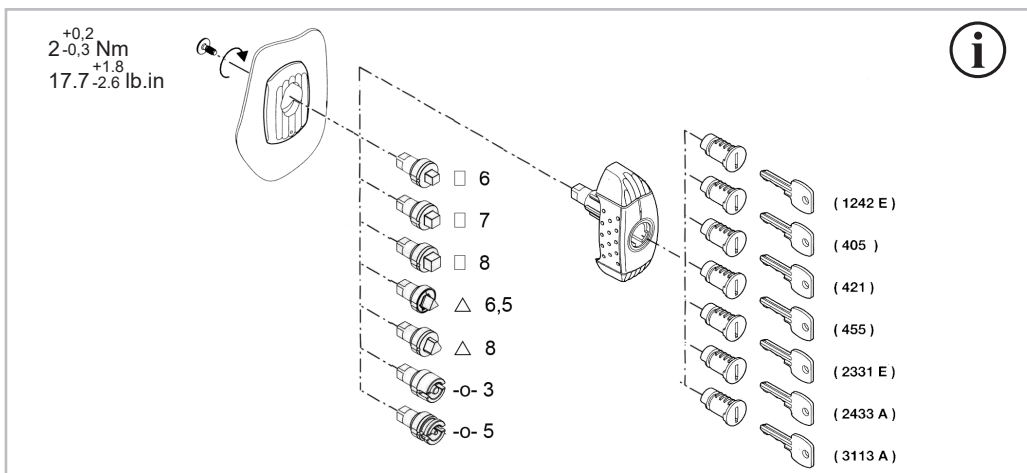
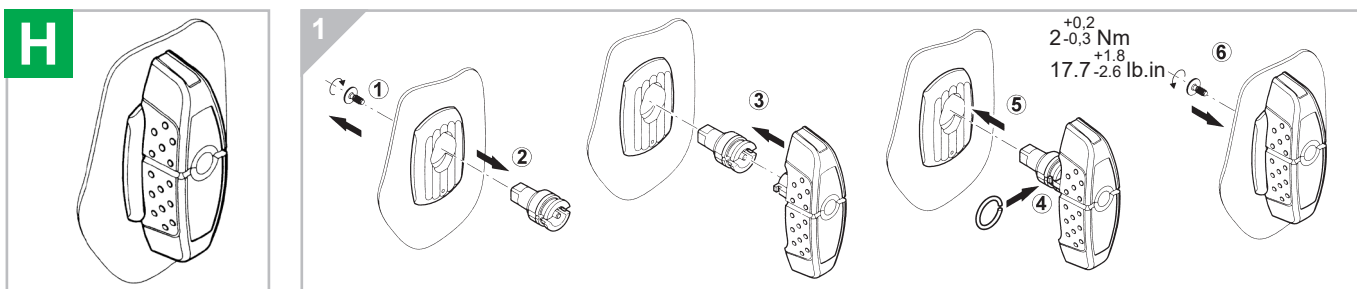
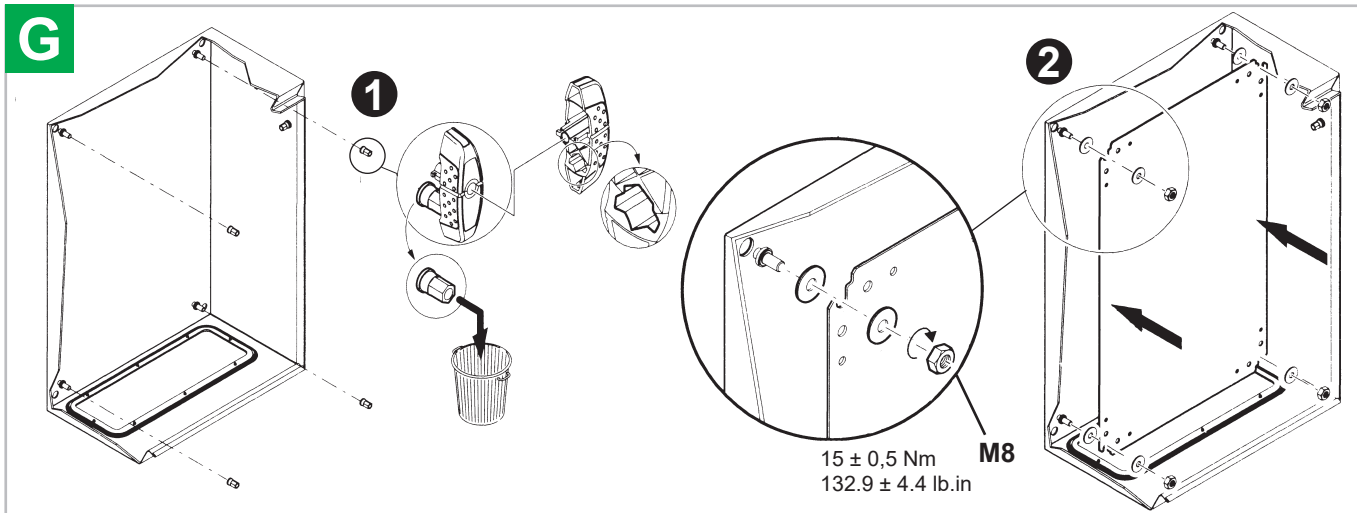


To maintain the environmental type rating, all conduit fittings and other components installed in openings made in the enclosure must have its same ratings and only wall fixing bracket NSYAEFPFXSC, NSYAEFPFSC, NSYAEFPFSC2 or NSYAEFPF40SC kit may be used. Wall fixing brackets kit NSYAEFPFXSC are intended for indoor and outdoor use. Wall fixing brackets kit NSYAEFPFSC, NSYAEFPFSC2 or NSYAEFPF40SC are intended for indoor use only.

All other wall fixing brackets are intended for indoor use only. When installed as a Type 2 or 3R enclosure, drill a drain hole (3.2 - 6.4 mm (1/8 - 1/4 in) diameter) in the lowest part of the bottom wall.

It is the customer responsibility to fulfill requirements of section 19 (Openings) of UL508A Standard and Section 9.6 (Equipment openings) of UL50E Standard.

Il est de la responsabilité du client de respecter les exigences de la section 19 (Openings) de la Norme UL508A et la section 9.6 (Equipment openings) de la norme UL50E.



<b>CAUTION / ATTENTION / ATENCIÓN / VORSICHT / ATTENZIONE / CUIDADO / 小心 / ВНИМАНИЕ</b>	
<p><b>HAZARD OF EQUIPMENT DAMAGE</b> Respect the information provided in the instruction to ensure the functioning of the product. <b>Failure to follow these instructions can result in injury or equipment damage.</b></p>	<p><b>RISQUE DE DETERIORATION DU MATERIEL</b> Respecter les informations fournies sur la notice pour garantir le fonctionnement du produit. <b>Si ces directives ne sont pas respectées, cela peut entraîner des blessures ou des dommages matériels.</b></p>
<p><b>RIESGO DE DETERIORO DEL MATERIAL</b> Respetar la información proporcionada en las instrucciones para garantizar el funcionamiento del producto. <b>El incumplimiento de estas instrucciones puede causar lesiones o daño al equipo.</b></p>	<p><b>GEFAHR VON MATERIALSCHÄDEN</b> Beachten Sie die Angaben in der Betriebsanleitung zur Verfügung gestellt, um die Funktionsweise des Produkts zu gewährleisten. <b>Die Nichtbeachtung dieser Anweisungen kann Verletzungen oder Sachschäden zur Folge haben.</b></p>
<p><b>RISCHIO DI DANNI ALLE APPARECCHIATURE</b> Rispettare le istruzioni fornite per garantire il funzionamento del prodotto <b>Il mancato rispetto di queste istruzioni può provocare infortuni o danni alle apparecchiature.</b></p>	<p><b>RISCO DE DETERIORAÇÃO DO MATERIAL</b> Respeitar as informações fornecidas no manual de instruções para assegurar o funcionamento do produto. <b>A não observância destas instruções pode provocar ferimentos pessoais, ou danos no equipamento.</b></p>
<p><b>设备受损风险</b> 为保证正常使用该产品请仔细阅读本产品说明书。 <b>不遵循上述说明可能导致人身伤害或设备损坏。</b></p>	<p><b>ОПАСНОСТЬ ПОВРЕЖДЕНИЯ ОБОРУДОВАНИЯ</b> Следуйте информации, указанной в инструкции, для гарантии правильного функционирования продукта. <b>Несоблюдение этих инструкций может привести к травме или повреждению оборудования.</b></p>

Schneider Electric Industries SAS  
35, rue Joseph Monier  
CS 30323  
F - 92506 Rueil Malmaison Cedex

www.schneider-electric.com

ENNA07900T-07

**Ce produit doit être installé, raccordé et utilisé en respectant les normes et/ou les règlements d'installation en vigueur.**  
En raison de l'évolution des normes et du matériel, les caractéristiques et cotes d'encombrement données ne nous engagent qu'après confirmation par nos services.

**This product must be installed, connected and used in compliance with prevailing standards and/or installation regulations.**  
As standards, specifications and designs change from time to time, always ask for confirmation of the information given in this publication.



**SCATTERGOOD  
& JOHNSON LTD**  
ELECTRICAL ENGINEERING & FLUID CONTROL DISTRIBUTORS

Est.1899

At Scattergood & Johnson Ltd, we pride ourselves on being a technical distributor to specialist industries.

Working with a range of quality product manufacturers across a number of specialist markets, we are not your average 'box shifter' - we are your technical and supply chain partner.

We fully support every product we sell - for free! Our internal team and external sales engineers can answer any product or application question, no matter the complexity.

Backing up this technical ability is a range of 50,000+ products available from stock for nationwide next day delivery (same day if required!), or you can collect what you need from any of our trade counters around the UK.

Select your specialist interest below to learn more about how we can help.



Online, In Branch and On the Road - Scattergood & Johnson Ltd, there when you need us.

**[www.scatts.co.uk](http://www.scatts.co.uk)**