

Connector - SACC-M12FS-5PL SH



1424660

<https://www.phoenixcontact.com/gb/products/1424660>

Please be informed that the data shown in this PDF document is generated from our Online Catalog. Please find the complete data in the user documentation. Our General Terms of Use for Downloads are valid.



Connector, Universal, 5-position, shielded, Socket straight M12, Coding: A, Push-lock spring connection, knurl material: Zinc die-cast, nickel-plated, external cable diameter 4 mm ... 8 mm

Your advantages

- Time-saving Push-Lock connection: Tool-free connection and disconnection of conductors by opening the contact levers
- Intuitive connection: Easy assignment of individual litz wires with color-coded and numerical identification of the contact levers
- Integrated Push-in Technology: Wire rigid and pretreated conductors easily by means of simple, direct insertion
- Shock- and vibration-resistant connection: Proven spring-cage technology guarantees secure and reliable contacting
- Safely shielded: Reliable 360° shield connection even under extreme mechanical strain

Commercial Data

| | |
|--------------------------------------|--------------------|
| Item number | 1424660 |
| Packing unit | 1 pc |
| Minimum order quantity | 1 pc |
| Sales Key | BF2CFA |
| Product Key | BF2CFA |
| Catalog Page | Page 19 (C-2-2019) |
| GTIN | 4055626375878 |
| Weight per Piece (including packing) | 41.9 g |
| Weight per Piece (excluding packing) | 41.9 g |
| Customs tariff number | 85366990 |
| Country of origin | DE |

Connector - SACC-M12FS-5PL SH



1424660

<https://www.phoenixcontact.com/gb/products/1424660>

Technical Data

Notes

Assembly instruction:

NOTE: Observe the permissible bending radii when laying conductors, since the degree of protection may be put in jeopardy if the bending forces are too high. Alleviate mechanical loads upstream of the connector, e.g. by using cable ties.

Product properties

| | |
|----------------------|---------------------------------|
| Product type | Circular connector (cable-side) |
| Number of positions | 5 |
| No. of cable outlets | 1 |
| Shielded | yes |
| Coding | A - standard |
| Cable outlet | straight |

Insulation characteristics

| | |
|----------------------|----|
| Overvoltage category | II |
| Degree of pollution | 3 |

Ambient conditions

| | |
|---------------------------------|----------------------------------|
| Degree of protection | IP65 IP67 |
| Ambient temperature (operation) | -40 °C ... 85 °C (Plug / socket) |

Dimensions

| | |
|---------------------|-------|
| Dimensional drawing | |
| Length | 59 mm |

External dimensions

| | |
|------------------|---------------|
| Outside diameter | 4 mm ... 8 mm |
|------------------|---------------|

Housing

| | |
|------------------|-------|
| Diameter housing | 19 mm |
|------------------|-------|

Connector

| | |
|-----------------------------|-------|
| Insertion/withdrawal cycles | ≥ 100 |
|-----------------------------|-------|

Connection 1

| | |
|-------------------|----------|
| Head design | Socket |
| Head cable outlet | straight |
| Head thread type | M12 |

Connector - SACC-M12FS-5PL SH



1424660

<https://www.phoenixcontact.com/gb/products/1424660>

| | |
|--------|---------|
| Coding | A-coded |
|--------|---------|

Electrical properties

| | |
|-----------------------|--|
| Rated surge voltage | 1.5 kV |
| Contact resistance | ≤ 8 mΩ |
| Insulation resistance | ≥ 100 MΩ |
| Nominal voltage U_N | 48 V AC |
| | 60 V DC |
| Nominal current I_N | 4 A (2 A when using 0.14 mm ² conductors) |

Material specifications

| | |
|--|---|
| Material | TPE-U (Clamping cage, weight: 1.1 g) |
| | PA 6 (Actuation lever) |
| Flammability rating according to UL 94 | V0 |
| Sealing material | NBR |
| Material of grip body | Zinc die-cast, nickel-plated |
| Contact material | CuSn |
| Contact surface material | Ni/Au |
| Contact carrier material | PA 6.6 |
| Cable gland material | Zinc die-cast, nickel-plated |
| Standards/regulations | PA 6.6: Fire protection in rail vehicles - requirement sets R22, R23, R24, R25, and R26 acc. to DIN EN 45545-2 (Risk level HL1 - HL3) |
| | PA 6: Fire protection in rail vehicles - requirement sets R22, R23, and R24 acc. to DIN EN 45545-2 (Risk level HL1 - HL3) |

Connection data

Conductor connection

| | |
|------------------------------|---|
| Connection method | Push-lock spring connection |
| Connection cross section | 0.14 mm ² ... 0.75 mm ² (without ferrule) |
| | 0.08 mm ² ... 0.5 mm ² (with ferrule) |
| | 0.14 mm ² ... 0.75 mm ² (solid) |
| Connection cross section AWG | 26 ... 18 (without ferrule) |
| | 28 ... 20 (with ferrule) |
| Tightening torque | 0.4 Nm (M12 knurl) |
| | 0.8 Nm (Connector with coupling sleeve) |
| | 3 Nm (Pressure nut with coupling sleeve) |

Pin assignment

| | |
|---|--------|
| Contact Color (signal designation) Contact (optional) | 1 = BN |
| | 2 = WH |
| | 3 = BU |
| | 4 = BK |
| | 5 = GY |

Connector - SACC-M12FS-5PL SH



1424660

<https://www.phoenixcontact.com/gb/products/1424660>

Mounting

| | |
|-----------------------|--|
| Assembly instructions | The wires can be connected both with ferrules and without ferrules |
|-----------------------|--|

Standards and regulations

Testing

| | |
|-----------------------|---|
| Standards/regulations | PA 6.6: Fire protection in rail vehicles - requirement sets R22, R23, R24, R25, and R26 acc. to DIN EN 45545-2 (Risk level HL1 - HL3) |
| | PA 6: Fire protection in rail vehicles - requirement sets R22, R23, and R24 acc. to DIN EN 45545-2 (Risk level HL1 - HL3) |

M12

| | |
|--------------------------|-----------------|
| Standards/specifications | IEC 61076-2-101 |
|--------------------------|-----------------|

M12

| | |
|--------------------------|---------------|
| Standards/specifications | EN 50155:2001 |
|--------------------------|---------------|

Cable / line

Cable structure

| | |
|---|-----------|
| Signal type/category | Universal |
| Stripping length of the individual wire | 7 mm |

Connector - SACC-M12FS-5PL SH

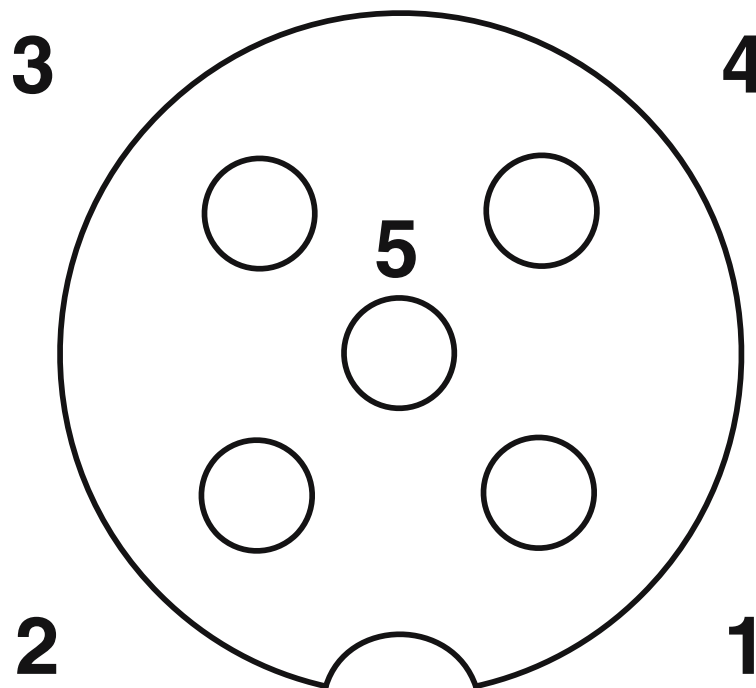


1424660

<https://www.phoenixcontact.com/gb/products/1424660>

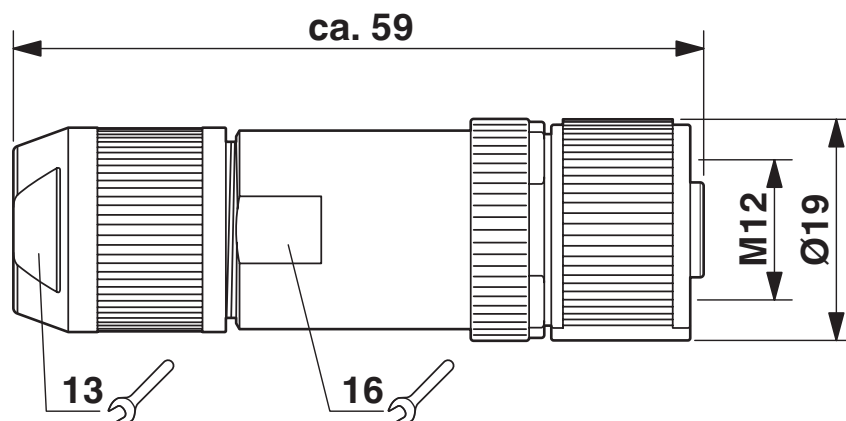
Drawings

Schematic diagram



Pin assignment M12 socket, 5-pos., A-coded, socket side view

Dimensional drawing



Socket M12-SPEEDCON, straight, shielded

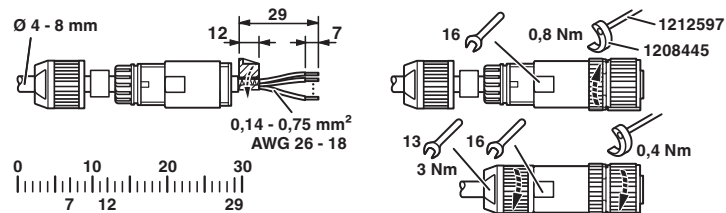
Connector - SACC-M12FS-5PL SH



1424660

<https://www.phoenixcontact.com/gb/products/1424660>

Functional drawing



Slide the pressure nut and sleeve housing along the cable, strip the cable, shorten the shield, strip the single wires, connect the wires, in the case of a straight sleeve housing gently twist the wires together, stick the shielding foil around the shortened shield, in the case of a cable outside diameter < 6 mm stick an additional shielding foil around the wire pack, screw the sleeve housing to the plug insert, screw the pressure nut tight.

Connector - SACC-M12FS-5PL SH



1424660

<https://www.phoenixcontact.com/gb/products/1424660>

Approvals

**EAC**

Approval ID: RU C-DE.AI30.B.01102

**EAC**

Approval ID: RU C-DE.BL08.B.00511

**UL Listed**

Approval ID: E221474

| | Nominal Voltage U_N | Nominal Current I_N | Cross Section AWG | Cross Section mm^2 |
|--|-----------------------|-----------------------|-------------------|-----------------------------|
| | 60 V | 4 A | - | 26 - 18 |

**cUL Listed**

Approval ID: E221474

| | Nominal Voltage U_N | Nominal Current I_N | Cross Section AWG | Cross Section mm^2 |
|--|-----------------------|-----------------------|-------------------|-----------------------------|
| | 60 V | 4 A | 26 - 18 | - |

cULus Listed

Connector - SACC-M12FS-5PL SH



1424660

<https://www.phoenixcontact.com/gb/products/1424660>

Classifications

ECLASS

| | |
|---------------|----------|
| ECLASS-9.0 | 27440102 |
| ECLASS-10.0.1 | 27440102 |
| ECLASS-11.0 | 27440102 |

ETIM

| | |
|----------|----------|
| ETIM 8.0 | EC002635 |
|----------|----------|

UNSPSC

| | |
|-------------|----------|
| UNSPSC 21.0 | 39121400 |
|-------------|----------|

Connector - SACC-M12FS-5PL SH



1424660

<https://www.phoenixcontact.com/gb/products/1424660>

Environmental Product Compliance

China RoHS

Environmentally friendly use period: unlimited = EFUP-e

No hazardous substances above threshold values

Phoenix Contact 2022 © - all rights reserved

<https://www.phoenixcontact.com>

PHOENIX CONTACT Ltd
Halesfield 13, Telford
Shropshire, TF7 4PG
01952 681700
info@phoenixcontact.co.uk



**SCATTERGOOD
& JOHNSON LTD**
ELECTRICAL ENGINEERING & FLUID CONTROL DISTRIBUTORS

Est.1899

At Scattergood & Johnson Ltd, we pride ourselves on being a technical distributor to specialist industries.

Working with a range of quality product manufacturers across a number of specialist markets, we are not your average 'box shifter' - we are your technical and supply chain partner.

We fully support every product we sell - for free! Our internal team and external sales engineers can answer any product or application question, no matter the complexity.

Backing up this technical ability is a range of 50,000+ products available from stock for nationwide next day delivery (same day if required!), or you can collect what you need from any of our trade counters around the UK.

Select your specialist interest below to learn more about how we can help.



Online, In Branch and On the Road - Scattergood & Johnson Ltd, there when you need us.

www.scatts.co.uk