

# Connector - SACC-M12MS-4PL



1424691

<https://www.phoenixcontact.com/gb/products/1424691>

Please be informed that the data shown in this PDF document is generated from our Online Catalog. Please find the complete data in the user documentation. Our General Terms of Use for Downloads are valid.



Connector, Universal, 4-position, unshielded, Plug straight M12, Coding: A, Push-lock spring connection, knurl material: Plastic, external cable diameter 4 mm ... 8 mm

## Your advantages

- Time-saving Push-Lock connection: Tool-free connection and disconnection of conductors by opening the contact levers
- Intuitive connection: Easy assignment of individual litz wires with color-coded and numerical identification of the contact levers
- Integrated Push-in Technology: Wire rigid and pretreated conductors easily by means of simple, direct insertion
- Shock- and vibration-resistant connection: Proven spring-cage technology guarantees secure and reliable contacting

## Commercial Data

|                                      |                    |
|--------------------------------------|--------------------|
| Item number                          | 1424691            |
| Packing unit                         | 1 pc               |
| Minimum order quantity               | 1 pc               |
| Sales Key                            | BF2CFA             |
| Product Key                          | BF2CFA             |
| Catalog Page                         | Page 19 (C-2-2019) |
| GTIN                                 | 4055626376189      |
| Weight per Piece (including packing) | 13 g               |
| Weight per Piece (excluding packing) | 13 g               |
| Customs tariff number                | 85366990           |
| Country of origin                    | DE                 |

# Connector - SACC-M12MS-4PL



1424691

<https://www.phoenixcontact.com/gb/products/1424691>

## Technical Data

### Notes

Assembly instruction:

**NOTE:** Observe the permissible bending radii when laying conductors, since the degree of protection may be put in jeopardy if the bending forces are too high. Alleviate mechanical loads upstream of the connector, e.g. by using cable ties.

### Product properties

|                      |                                 |
|----------------------|---------------------------------|
| Product type         | Circular connector (cable-side) |
| Number of positions  | 4                               |
| No. of cable outlets | 1                               |
| Shielded             | no                              |
| Coding               | A - standard                    |
| Cable outlet         | straight                        |

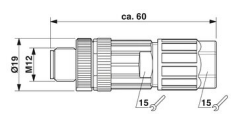
### Insulation characteristics

|                      |    |
|----------------------|----|
| Overvoltage category | II |
| Degree of pollution  | 3  |

### Ambient conditions

|                                 |                                  |
|---------------------------------|----------------------------------|
| Degree of protection            | IP65<br>IP67                     |
| Ambient temperature (operation) | -40 °C ... 85 °C (Plug / socket) |

### Dimensions

|                     |  |
|---------------------|--|
| Dimensional drawing |  |
| Length              | 60 mm  |

### External dimensions

|                  |               |
|------------------|---------------|
| Outside diameter | 4 mm ... 8 mm |
|------------------|---------------|

### Housing

|                  |       |
|------------------|-------|
| Diameter housing | 19 mm |
|------------------|-------|

### Connector

|                             |       |
|-----------------------------|-------|
| Insertion/withdrawal cycles | ≥ 100 |
|-----------------------------|-------|

### Connection 1

|                   |          |
|-------------------|----------|
| Head design       | Plug     |
| Head cable outlet | straight |
| Head thread type  | M12      |

# Connector - SACC-M12MS-4PL



1424691

<https://www.phoenixcontact.com/gb/products/1424691>

|        |         |
|--------|---------|
| Coding | A-coded |
|--------|---------|

## Electrical properties

|                       |  |
|-----------------------|--|
| Rated surge voltage   | 2.5 kV   |
| Contact resistance    | ≤ 5 mΩ   |
| Insulation resistance | ≥ 100 MΩ   |
| Nominal voltage $U_N$ | 250 V AC   |
|                       | 250 V DC   |
| Nominal current $I_N$ | 4 A (2 A when using 0.14 mm <sup>2</sup> conductors) |

## Material specifications

|  |         |
|--|---------|
| Color Handle area                      | black   |
| Flammability rating according to UL 94 | V0      |
| Sealing material                       | NBR     |
| Material of grip body                  | PA 6.6  |
| Contact material                       | CuSn    |
| Contact surface material               | Ni/Au   |
| Contact carrier material               | PA 6.6  |
| Cable gland material                   | Plastic |

## Connection data

### Conductor connection

|                              |   |
|------------------------------|---|
| Connection method            | Push-lock spring connection                                     |
| Connection cross section     | 0.14 mm <sup>2</sup> ... 0.75 mm <sup>2</sup> (without ferrule) |
|                              | 0.08 mm <sup>2</sup> ... 0.5 mm <sup>2</sup> (with ferrule)     |
|                              | 0.14 mm <sup>2</sup> ... 0.75 mm <sup>2</sup> (solid)           |
| Connection cross section AWG | 26 ... 18 (without ferrule)                                     |
|                              | 28 ... 20 (with ferrule)  |
| Tightening torque            | 0.4 Nm (M12 knurl)  |
|                              | 0.4 Nm (Connector with coupling sleeve)                         |
|                              | 1.5 Nm (Pressure nut with coupling sleeve)                      |

### Pin assignment

|   |        |
|---|--------|
| Contact   Color (signal designation)   Contact (optional) | 1 = BN |
|   | 2 = WH |
|   | 3 = BU |
|   | 4 = BK |

## Mounting

|                       |  |
|-----------------------|--|
| Assembly instructions | The wires can be connected both with ferrules and without ferrules |
|-----------------------|--|

## Standards and regulations

M12

# Connector - SACC-M12MS-4PL



1424691

<https://www.phoenixcontact.com/gb/products/1424691>

|                          |                 |
|--------------------------|-----------------|
| Standards/specifications | IEC 61076-2-101 |
|--------------------------|-----------------|

## Cable / line

### Cable structure

|   |           |
|---|-----------|
| Signal type/category                    | Universal |
| Stripping length of the individual wire | 7 mm      |

# Connector - SACC-M12MS-4PL

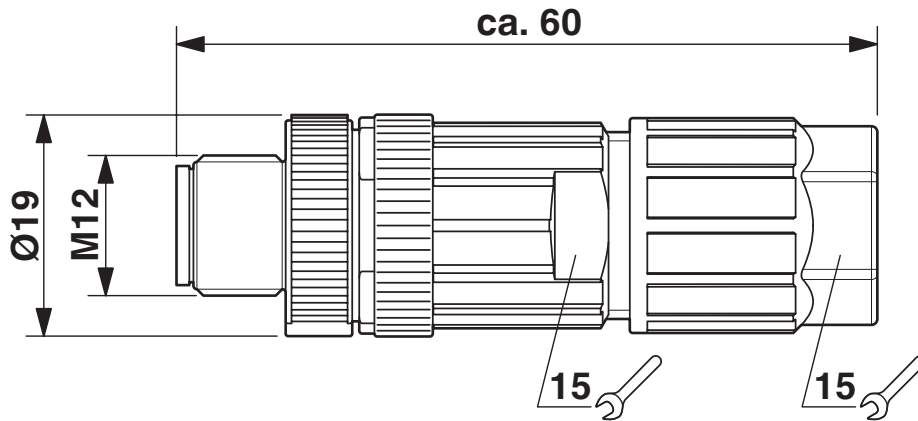


1424691

<https://www.phoenixcontact.com/gb/products/1424691>

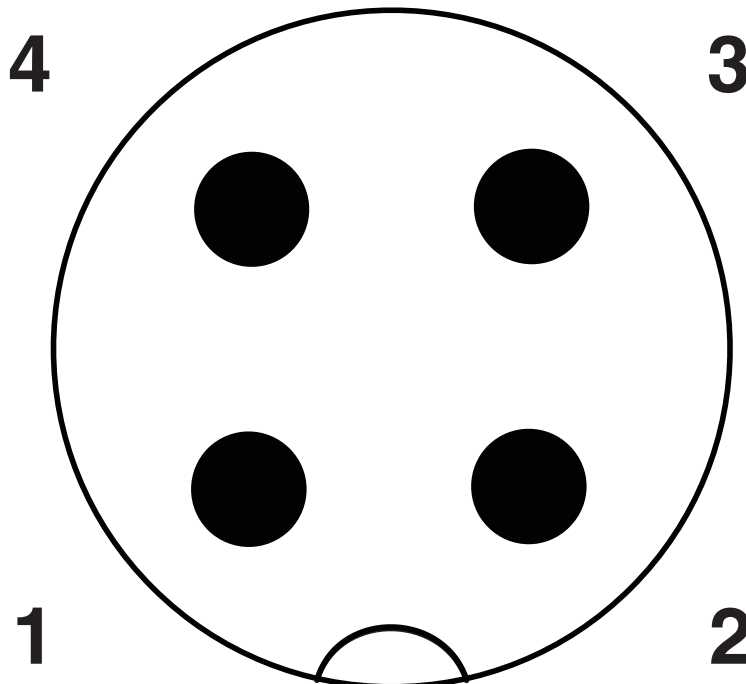
## Drawings

Dimensional drawing



Plug, M12 x 1, straight

Schematic diagram



Pin assignment M12 plug, 4-pos., A-coded, view plug side

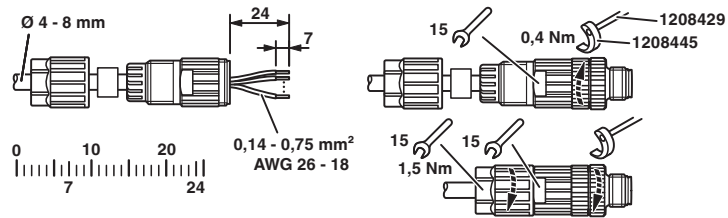
# Connector - SACC-M12MS-4PL

1424691

<https://www.phoenixcontact.com/gb/products/1424691>



## Functional drawing



# Connector - SACC-M12MS-4PL



1424691

<https://www.phoenixcontact.com/gb/products/1424691>

## Approvals

**EAC**

Approval ID: RU C-DE.AI30.B.01102

**EAC**

Approval ID: RU C-DE.BL08.B.00511

**UL Listed**

Approval ID: E221474

|  | Nominal Voltage $U_N$ | Nominal Current $I_N$ | Cross Section AWG | Cross Section $\text{mm}^2$ |
|--|-----------------------|-----------------------|-------------------|-----------------------------|
|  | 250 V                 | 4 A                   | -                 | 26 - 18                     |

**cUL Listed**

Approval ID: E221474

|  | Nominal Voltage $U_N$ | Nominal Current $I_N$ | Cross Section AWG | Cross Section $\text{mm}^2$ |
|--|-----------------------|-----------------------|-------------------|-----------------------------|
|  | 250 V                 | 4 A                   | 26 - 18           | -                           |

**cULus Listed**

# Connector - SACC-M12MS-4PL



1424691

<https://www.phoenixcontact.com/gb/products/1424691>

## Classifications

### ECLASS

|               |          |
|---------------|----------|
| ECLASS-9.0    | 27440102 |
| ECLASS-10.0.1 | 27440102 |
| ECLASS-11.0   | 27440102 |

### ETIM

|          |          |
|----------|----------|
| ETIM 8.0 | EC002635 |
|----------|----------|

### UNSPSC

|             |          |
|-------------|----------|
| UNSPSC 21.0 | 39121400 |
|-------------|----------|

# Connector - SACC-M12MS-4PL



1424691

<https://www.phoenixcontact.com/gb/products/1424691>

## Environmental Product Compliance

China RoHS

Environmentally friendly use period: unlimited = EFUP-e

No hazardous substances above threshold values

Phoenix Contact 2022 © - all rights reserved  
<https://www.phoenixcontact.com>

PHOENIX CONTACT Ltd  
Halesfield 13, Telford  
Shropshire, TF7 4PG  
01952 681700  
[info@phoenixcontact.co.uk](mailto:info@phoenixcontact.co.uk)



**SCATTERGOOD  
& JOHNSON LTD**  
ELECTRICAL ENGINEERING & FLUID CONTROL DISTRIBUTORS

Est.1899

At Scattergood & Johnson Ltd, we pride ourselves on being a technical distributor to specialist industries.

Working with a range of quality product manufacturers across a number of specialist markets, we are not your average 'box shifter' - we are your technical and supply chain partner.

We fully support every product we sell - for free! Our internal team and external sales engineers can answer any product or application question, no matter the complexity.

Backing up this technical ability is a range of 50,000+ products available from stock for nationwide next day delivery (same day if required!), or you can collect what you need from any of our trade counters around the UK.

Select your specialist interest below to learn more about how we can help.



Online, In Branch and On the Road - Scattergood & Johnson Ltd, there when you need us.

**[www.scatts.co.uk](http://www.scatts.co.uk)**