

Flush-type connector - SACC-E-M 8FS-4CON-M8/0,5



1500363

<https://www.phoenixcontact.com/gb/products/1500363>

Please be informed that the data shown in this PDF document is generated from our Online Catalog. Please find the complete data in the user documentation. Our General Terms of Use for Downloads are valid.



Flush-type connector, 4-position, Socket, straight, M8, Front mounting, M8 x 0.5, Individual wires, cable length: 0.5 m, 0.25 mm², PVC litz wire

Your advantages

- Pre-assembled with litz wires for immediate use
- Customer-specific assemblies and litz wire lengths available
- Sealed on the litz wire side for optimum leak-tightness
- Standard pin assignments and codings for signal transmission with a uniform design-in design

Commercial Data

Item number	1500363
Packing unit	1 pc
Minimum order quantity	1 pc
Sales Key	ABQBBB
Product Key	ABQBBB
Catalog Page	Page 33 (C-2-2019)
GTIN	4017918589073
Weight per Piece (including packing)	14.41 g
Weight per Piece (excluding packing)	12.4 g
Customs tariff number	85366990
Country of origin	DE

Flush-type connector - SACC-E-M 8FS-4CON-M8/0,5



1500363

<https://www.phoenixcontact.com/gb/products/1500363>

Technical Data

Product properties

Product type	Circular connectors (device side)
Number of positions	4
No. of cable outlets	1
Shielded	no
Coding	A - standard

Insulation characteristics

Overvoltage category	II
Degree of pollution	3

Ambient conditions

Degree of protection	IP67
Degree of protection	IP67
Ambient temperature (operation)	-25 °C ... 85 °C (Plug / socket)
	-40 °C ... 105 °C (cable, fixed installation)
	-10 °C ... 105 °C (Cable, flexible installation)

Connector

Connection 1

Head design	Socket
Head cable outlet	straight
Head thread type	M8

Electrical properties

Rated surge voltage	1.5 kV
Contact resistance	≤ 3 mΩ
Insulation resistance	≥ 100 MΩ
Nominal voltage U_N	48 V AC
	60 V DC
Nominal current I_N	4 A

Material specifications

Material	PU 2K (Grout material)
Flammability rating according to UL 94	HB
Sealing material	FKM
Contact material	CuSn
Contact surface material	Au
Contact carrier material	PA 6.6
Cable gland material	Nickel-plated brass

Connection data

Flush-type connector - SACC-E-M 8FS-4CON-M8/0,5



1500363

<https://www.phoenixcontact.com/gb/products/1500363>

Conductor connection

Connection method	Individual wires
-------------------	------------------

Mounting

Mounting type	Front mounting M8 x 0.5
---------------	-------------------------

Standards and regulations

M8

Standards/specifications	IEC 61076-2-104
--------------------------	-----------------

Cable / line

Cable length	0.5 m
--------------	-------

Cable structure

Cable type	PVC litz wire
Conductor material	Tin-plated Cu litz wires
Conductor structure signal line	7x 0.20 mm
AWG signal line	24
Material wire insulation	PVC / UL
Thickness, insulation	0.21 mm
Wire diameter incl. insulation	1.5 mm ±0.1 mm
Single wire, color	brown, white, blue, black

Electrical properties

Nominal voltage, cable	300 V
Test voltage, cable	2000 V AC
Conductor resistance	≥ 80 Ω/km
Cable insulation resistance	≥ 20 MΩ*km

Ambient conditions

Ambient temperature (operation)	-10 °C ... 105 °C (Cable, flexible installation)
	-40 °C ... 105 °C (cable, fixed installation)

Flush-type connector - SACC-E-M 8FS-4CON-M8/0,5

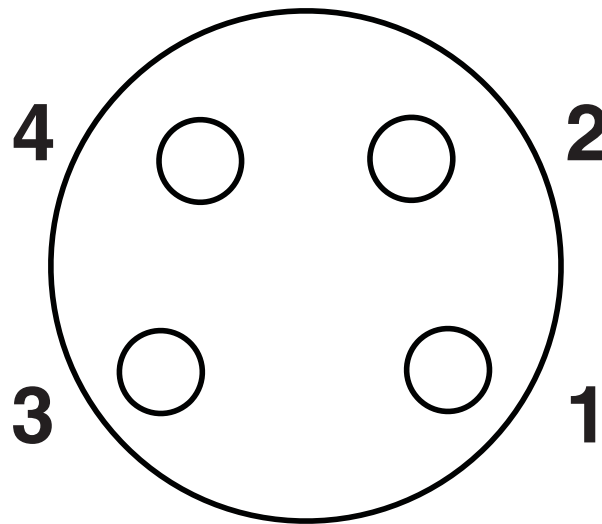


1500363

<https://www.phoenixcontact.com/gb/products/1500363>

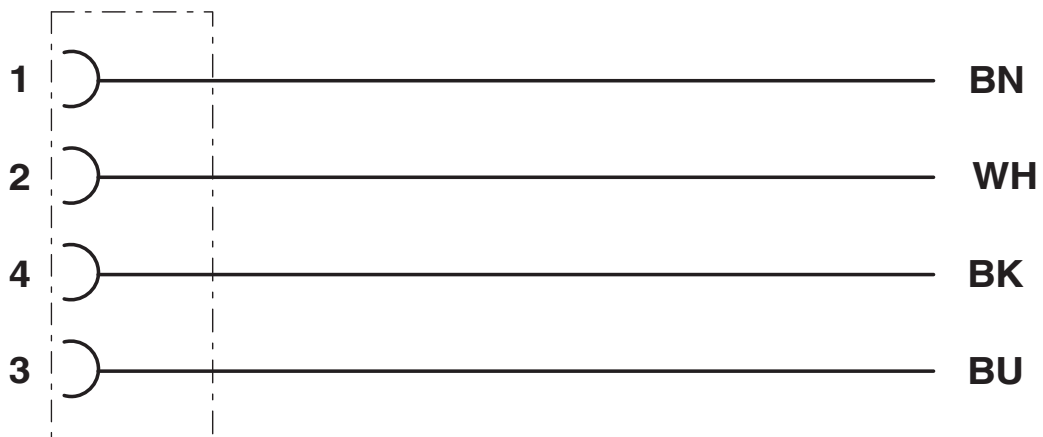
Drawings

Schematic diagram



Pin assignment M8 socket, 4-pos., view female side

Circuit diagram



Contact assignment of M8 plugs/sockets

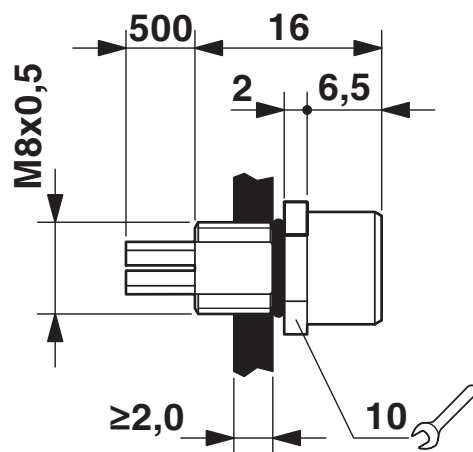
Flush-type connector - SACC-E-M 8FS-4CON-M8/0,5



1500363

<https://www.phoenixcontact.com/gb/products/1500363>

Dimensional drawing



M8 flush-type socket


Flush-type connector - SACC-E-M 8FS-4CON-M8/0,5




1500363

<https://www.phoenixcontact.com/gb/products/1500363>

Approvals

 cUL Recognized Approval ID: FILE E 221474				
	Nominal Voltage U_N	Nominal Current I_N	Cross Section AWG	Cross Section mm^2
	30 V	4 A	-	-

 UL Recognized Approval ID: FILE E 221474				
	Nominal Voltage U_N	Nominal Current I_N	Cross Section AWG	Cross Section mm^2
	30 V	4 A	-	-

 EAC Approval ID: B.01687				
--	--	--	--	--

cULus Recognized				
-------------------------	--	--	--	--

Flush-type connector - SACC-E-M 8FS-4CON-M8/0,5



1500363

<https://www.phoenixcontact.com/gb/products/1500363>

Classifications

ECLASS

ECLASS-9.0	27440102
ECLASS-10.0.1	27440102
ECLASS-11.0	27440102

ETIM

ETIM 8.0	EC002635
----------	----------

UNSPSC

UNSPSC 21.0	39121400
-------------	----------

Flush-type connector - SACC-E-M 8FS-4CON-M8/0,5



1500363

<https://www.phoenixcontact.com/gb/products/1500363>

Environmental Product Compliance

REACH SVHC	Lead 7439-92-1
China RoHS	Environmentally Friendly Use Period = 50 years
	For information on hazardous substances, refer to the manufacturer's declaration available under "Downloads"

Phoenix Contact 2022 © - all rights reserved

<https://www.phoenixcontact.com>

PHOENIX CONTACT Ltd
Halesfield 13, Telford
Shropshire, TF7 4PG
01952 681700
info@phoenixcontact.co.uk



SCATTERGOOD & JOHNSON LTD

ELECTRICAL ENGINEERING & FLUID CONTROL DISTRIBUTORS

Est.1899

At Scattergood & Johnson Ltd, we pride ourselves on being a technical distributor to specialist industries.

Working with a range of quality product manufacturers across a number of specialist markets, we are not your average 'box shifter' - we are your technical and supply chain partner.

We fully support every product we sell - for free! Our internal team and external sales engineers can answer any product or application question, no matter the complexity.

Backing up this technical ability is a range of 50,000+ products available from stock for nationwide next day delivery (same day if required!), or you can collect what you need from any of our trade counters around the UK.

Select your specialist interest below to learn more about how we can help.



Online, In Branch and On the Road - Scattergood & Johnson Ltd, there when you need us.

www.scatts.co.uk