

Flat nut - SACC-E-MU-M8X0,5

1504071

<https://www.phoenixcontact.com/gb/products/1504071>

Please be informed that the data shown in this PDF document is generated from our Online Catalog. Please find the complete data in the user documentation. Our General Terms of Use for Downloads are valid.

Flat nut with M8 thread



Commercial Data

Item number	1504071
Packing unit	100 pc
Minimum order quantity	100 pc
Sales Key	ABQZCA
Product Key	ABQZCA
Catalog Page	Page 33 (C-2-2019)
GTIN	4017918833497
Weight per Piece (including packing)	0.67 g
Weight per Piece (excluding packing)	0.65 g
Customs tariff number	74153300
Country of origin	DE

Flat nut - SACC-E-MU-M8X0,5



1504071

<https://www.phoenixcontact.com/gb/products/1504071>

Technical Data

Product properties

Product type	Flat nut
Thread type	M8

Material specifications

Material	Brass, nickel-plated
Cable gland material	Nickel-plated brass

Mounting

Mounting type	M8 x 0.5
---------------	----------

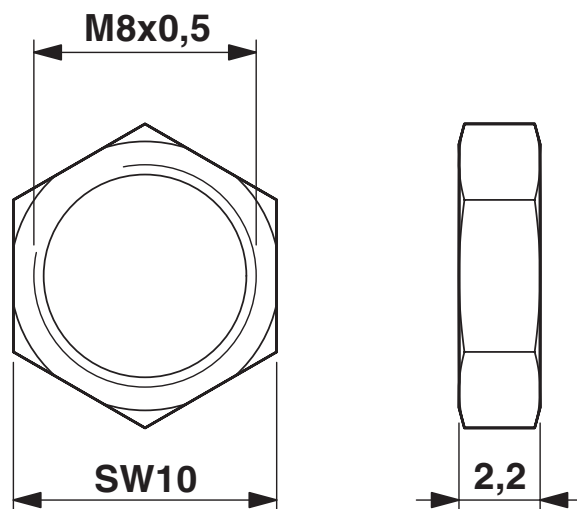
Flat nut - SACC-E-MU-M8X0,5

1504071

<https://www.phoenixcontact.com/gb/products/1504071>

Drawings

Dimensional drawing



Flat nut M8

Flat nut - SACC-E-MU-M8X0,5



1504071

<https://www.phoenixcontact.com/gb/products/1504071>

Approvals



EAC

Approval ID: B.01687

Flat nut - SACC-E-MU-M8X0,5



1504071

<https://www.phoenixcontact.com/gb/products/1504071>

Classifications

ECLASS

ECLASS-9.0	23119212
ECLASS-10.0.1	23119212
ECLASS-11.0	27440210

ETIM

ETIM 8.0	EC002310
----------	----------

UNSPSC

UNSPSC 21.0	39121400
-------------	----------

Flat nut - SACC-E-MU-M8X0,5



1504071

<https://www.phoenixcontact.com/gb/products/1504071>

Environmental Product Compliance

China RoHS

Environmentally friendly use period: unlimited = EFUP-e

No hazardous substances above threshold values

Phoenix Contact 2022 © - all rights reserved
<https://www.phoenixcontact.com>

PHOENIX CONTACT Ltd
Halesfield 13, Telford
Shropshire, TF7 4PG
01952 681700
info@phoenixcontact.co.uk



SCATTERGOOD & JOHNSON LTD

ELECTRICAL ENGINEERING & FLUID CONTROL DISTRIBUTORS

Est.1899

At Scattergood & Johnson Ltd, we pride ourselves on being a technical distributor to specialist industries.

Working with a range of quality product manufacturers across a number of specialist markets, we are not your average 'box shifter' - we are your technical and supply chain partner.

We fully support every product we sell - for free! Our internal team and external sales engineers can answer any product or application question, no matter the complexity.

Backing up this technical ability is a range of 50,000+ products available from stock for nationwide next day delivery (same day if required!), or you can collect what you need from any of our trade counters around the UK.

Select your specialist interest below to learn more about how we can help.



Online, In Branch and On the Road - Scattergood & Johnson Ltd, there when you need us.

www.scatts.co.uk