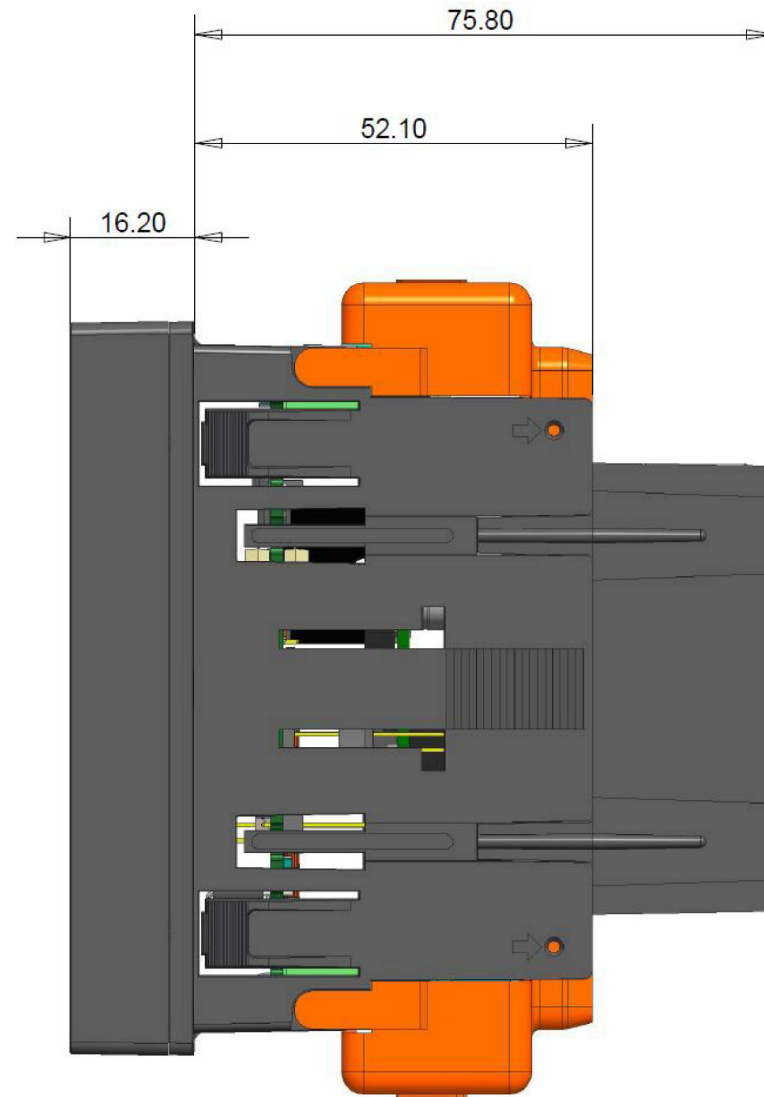


THIS DRAWING IS UNPUBLISHED. RELEASED FOR PUBLICATION
 © COPYRIGHT - TE Connectivity Ltd. ALL RIGHTS RESERVED.

REVISIONS				
P	LTR	DESCRIPTION	DATE	APVD
	1	NEW LAYOUT	18FEB2020	SG NJ



THIS DRAWING IS A CONTROLLED DOCUMENT.		DWN SANDEEP G 18FEB2020		
DIMENSIONS: mm		CHK NIGEL JOHNSON 18FEB2020		
		APVD NIGEL JOHNSON 18FEB2020	NAME INTEGRA 12xx ETHERNET MODULE DIMENSIONS	
TOLERANCES UNLESS OTHERWISE SPECIFIED:		PRODUCT SPEC	RESTRICTED TO	
0 PLC ± -		APPLICATION SPEC	SIZE A3	CAGE CODE 00779
1 PLC ± -		WEIGHT -	DRAWING NO C=CI-3L42001	
2 PLC ± -		CUSTOMER DRAWING	SCALE NTS	SHEET 1 of 1
3 PLC ± -				REV 1
4 PLC ± -				
ANGLES ± -				
MATERIAL -				
FINISH -				



**SCATTERGOOD
& JOHNSON LTD**
ELECTRICAL ENGINEERING & FLUID CONTROL DISTRIBUTORS

Est.1899

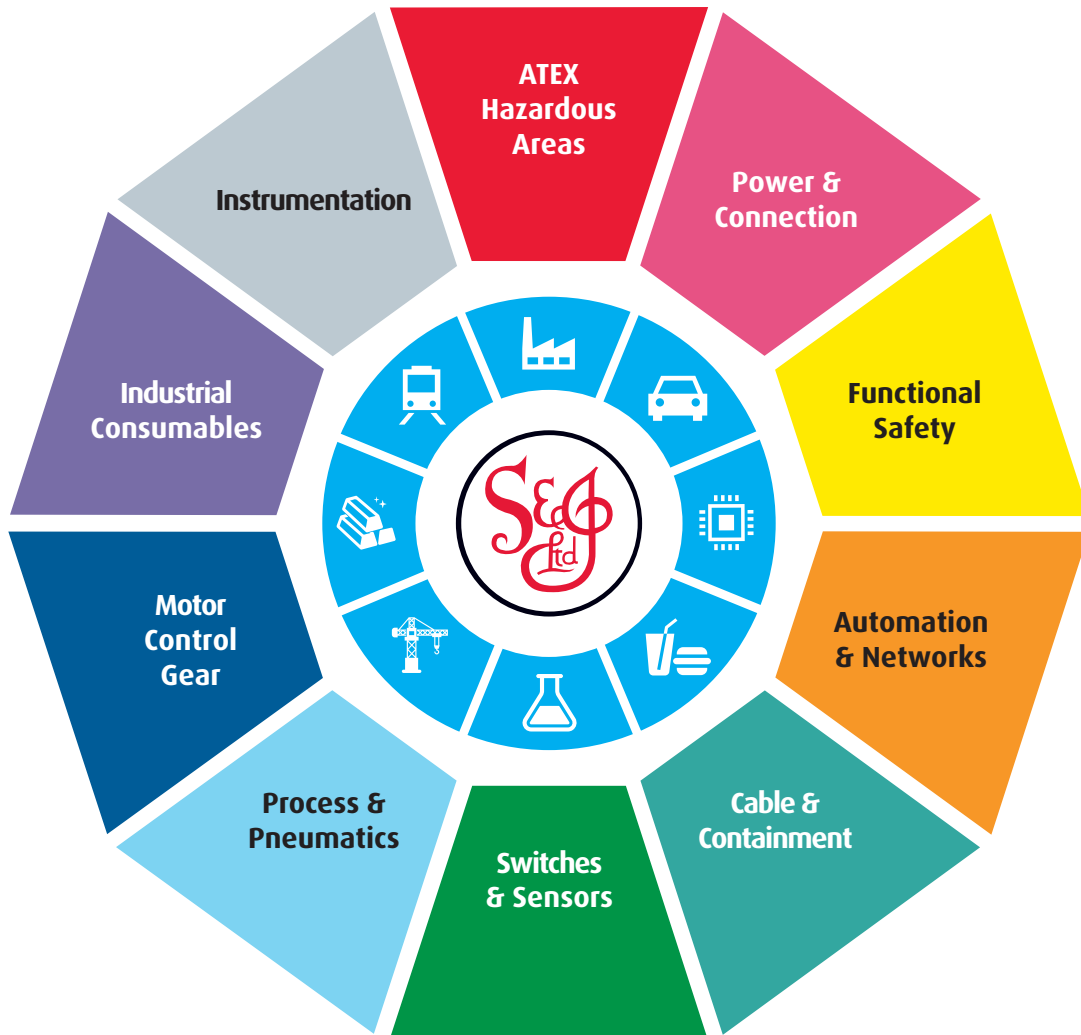
At Scattergood & Johnson Ltd, we pride ourselves on being a technical distributor to specialist industries.

Working with a range of quality product manufacturers across a number of specialist markets, we are not your average 'box shifter' - we are your technical and supply chain partner.

We fully support every product we sell - for free! Our internal team and external sales engineers can answer any product or application question, no matter the complexity.

Backing up this technical ability is a range of 50,000+ products available from stock for nationwide next day delivery (same day if required!), or you can collect what you need from any of our trade counters around the UK.

Select your specialist interest below to learn more about how we can help.



Online, In Branch and On the Road - Scattergood & Johnson Ltd, there when you need us.

www.scatts.co.uk