

# Contact insert - HC-Q12-I-CT-M



1418626

<https://www.phoenixcontact.com/gb/products/1418626>

Please be informed that the data shown in this PDF document is generated from our Online Catalog. Please find the complete data in the user documentation. Our General Terms of Use for Downloads are valid.



Contact insert, number of positions: 12+PE, size: D7, number of connections per position: 1, Pin, Crimp connection, 400 V, 12 A, 0.14 mm<sup>2</sup> ... 2.5 mm<sup>2</sup>

## Your advantages

- Can be keyed in seconds thanks to plastic profiles
- 16 coding options without loss of contact space
- Contact insert including IP65 sealing screw

## Commercial Data

Item number	1418626
Packing unit	1 pc
Minimum order quantity	1 pc
Sales Key	BF7ABJ
Product Key	BF7ABJ
Catalog Page	Page 507 (C-2-2019)
GTIN	4055626249391
Weight per Piece (including packing)	13.9 g
Weight per Piece (excluding packing)	13.4 g
Customs tariff number	85389099
Country of origin	CN

# Contact insert - HC-Q12-I-CT-M



1418626

<https://www.phoenixcontact.com/gb/products/1418626>

## Technical Data

### Notes

General	For HC-D7 housing, crimp contacts CK1,6-ED (crimp contacts not included in scope of supply)
General	Connectors may be operated only when there is no load/voltage.

### Product properties

Type	D7
Product type	Contact insert with a fixed no. of positions
Number of positions	12
Connection profile	12+PE
Number of connections per position	1
Contact type	turned rolled
Series	HC-Q

### Insulation characteristics

Overvoltage category	III
Degree of pollution	3

### Connection data

#### Connection technology

Connection technology	Crimp connection
Number of connections per position	1
Connection in acc. with standard	IEC / EN

#### Conductor connection

Connection cross section AWG	26 ... 14
Stripping length of the individual wire	8 mm 6 mm (2.5 mm <sup>2</sup> )

### Dimensions

Dimensional drawing	
Width	21 mm
Height	40.8 mm
Length	21 mm

### Mechanical characteristics

Contact diameter	1.6 mm
------------------	--------

# Contact insert - HC-Q12-I-CT-M



1418626

<https://www.phoenixcontact.com/gb/products/1418626>

## Electrical properties

Rated voltage (III/3)	400 V
Rated surge voltage	6 kV
Rated current	12 A

## Material specifications

Flammability rating according to UL 94	V0
Sealing material	NBR, conductive
Contact material	Copper alloy
Contact surface material	Ag (alternatively Au)
Contact carrier material	PC
Standards/regulations	PC: Fire protection in rail vehicles - requirement sets R22, R23, and R24 acc. to DIN EN 45545-2 (Risk level HL1 - HL3)

## Connector

Insertion/withdrawal cycles	≥ 500
-----------------------------	-------

## Cable / line

### Cable structure

Stripping length of the individual wire	8 mm
	6 mm (2.5 mm <sup>2</sup> )

## Mounting

Assembly instructions	To ensure correct use, installation in housing with IP54 protection or better is required
	Contact insert including IP67 sealing screw.

## Ambient conditions

Ambient temperature (operation)	-40 °C ... 125 °C (including heating up of contacts)
---------------------------------	--

## Standards and regulations

### Testing

Standards/regulations	PC: Fire protection in rail vehicles - requirement sets R22, R23, and R24 acc. to DIN EN 45545-2 (Risk level HL1 - HL3)
-----------------------	---

# Contact insert - HC-Q12-I-CT-M

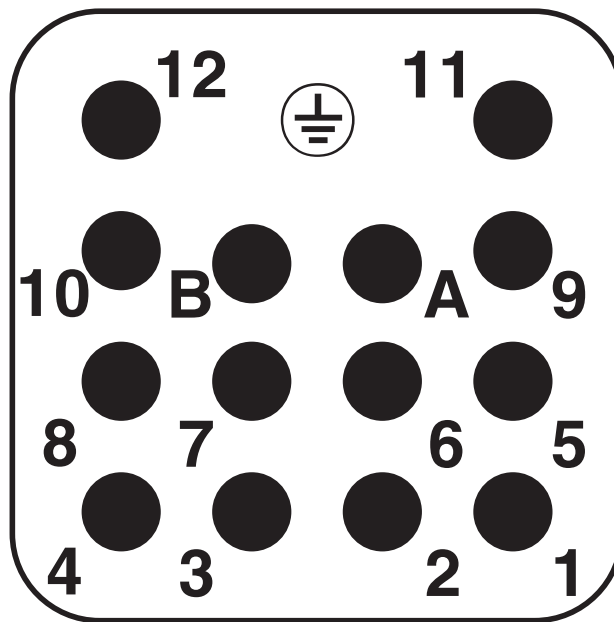


1418626

<https://www.phoenixcontact.com/gb/products/1418626>

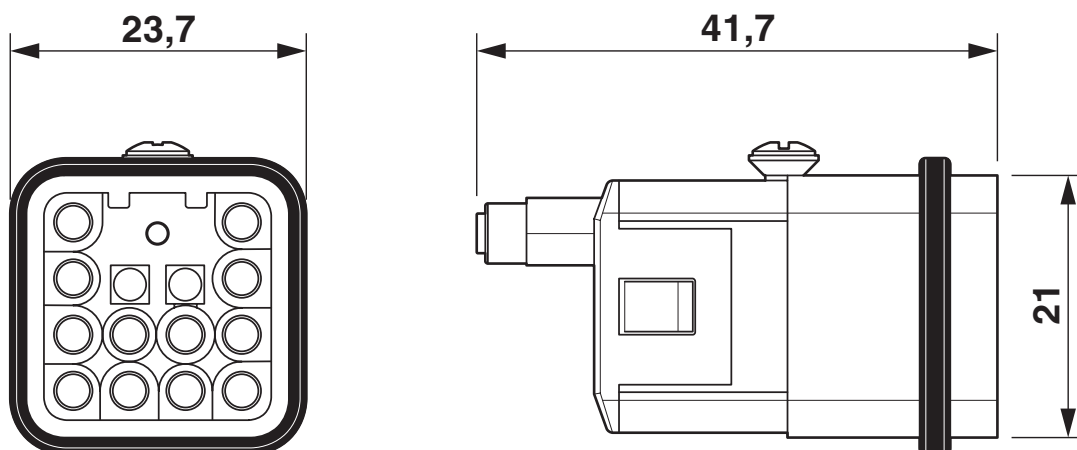
## Drawings

Schematic diagram



Pin assignment connection side. Position A and B for coding profiles

Dimensional drawing



Dimensional drawing: HC-Q 12-I-CT-M

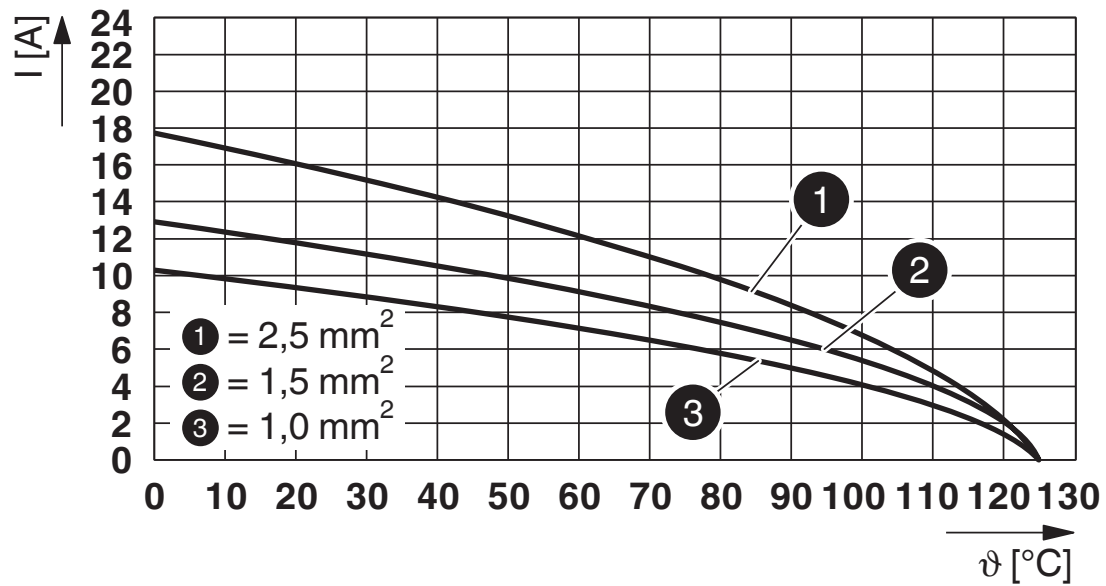
## Contact insert - HC-Q12-I-CT-M



1418626

<https://www.phoenixcontact.com/gb/products/1418626>

Diagram



Derating diagram rolled contacts

# Contact insert - HC-Q12-I-CT-M



1418626

<https://www.phoenixcontact.com/gb/products/1418626>

Schematic diagram

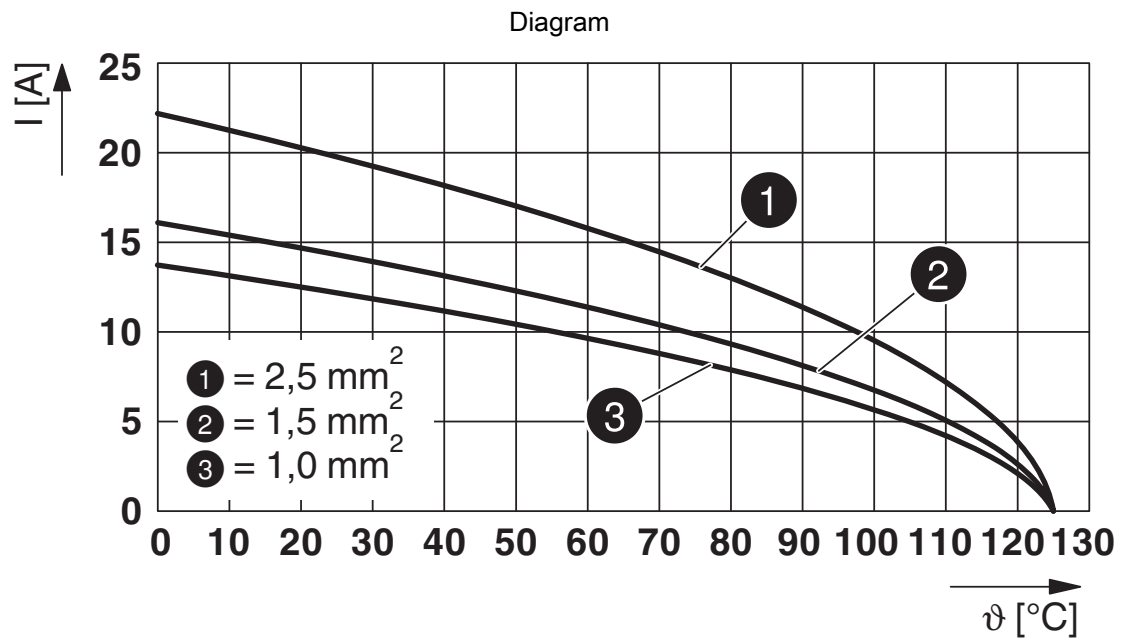
HC-Q 12-I-CT-M		HC-Q 12-I-CT-F	
A	B	B	A
▼	▼	▲	▲
▼	▲	▼	▲
▼	▲	▲	▲
▼	▲	▼	▲
▲	▼	▲	▼
▲	▲	▼	▼
▲	▼	▲	▼
▲	▲	▼	▼
▼	▼	▲	▲
▼	▲	▼	▲
▼	▼	▲	▲
▼	▲	▼	▲
▲	▼	▲	▼
▲	▲	▼	▼
▲	▼	▲	▼
▲	▲	▼	▼
▲	▼	▲	▼
▲	▲	▼	▼

Coding scheme

## Contact insert - HC-Q12-I-CT-M



1418626

<https://www.phoenixcontact.com/gb/products/1418626>


Derating diagram turned contacts

# Contact insert - HC-Q12-I-CT-M



1418626

<https://www.phoenixcontact.com/gb/products/1418626>

## Approvals

### DNV

Approval ID: TAE000037S



### CSA

Approval ID: 13631

	Nominal Voltage $U_N$	Nominal Current $I_N$	Cross Section AWG	Cross Section $\text{mm}^2$
	600 V	12 A	- 14	-



### UL Recognized

Approval ID: E118976

	Nominal Voltage $U_N$	Nominal Current $I_N$	Cross Section AWG	Cross Section $\text{mm}^2$
	600 V	15 A	- 14	-



### EAC

Approval ID: RU C-DE.AI30.B.01102



### EAC

Approval ID: RU C-DE.BL08.B.00511

# Contact insert - HC-Q12-I-CT-M



1418626

<https://www.phoenixcontact.com/gb/products/1418626>

## Classifications

### ECLASS

ECLASS-9.0	27440205
ECLASS-10.0.1	27440205
ECLASS-11.0	27440205

### ETIM

ETIM 8.0	EC000438
----------	----------

### UNSPSC

UNSPSC 21.0	39121500
-------------	----------

# Contact insert - HC-Q12-I-CT-M



1418626

<https://www.phoenixcontact.com/gb/products/1418626>

## Environmental Product Compliance

REACH SVHC	Lead 7439-92-1
China RoHS	Environmentally Friendly Use Period = 50 years For information on hazardous substances, refer to the manufacturer's declaration available under "Downloads"

Phoenix Contact 2022 © - all rights reserved

<https://www.phoenixcontact.com>

PHOENIX CONTACT Ltd  
Halesfield 13, Telford  
Shropshire, TF7 4PG  
01952 681700  
[info@phoenixcontact.co.uk](mailto:info@phoenixcontact.co.uk)



**SCATTERGOOD  
& JOHNSON LTD**  
ELECTRICAL ENGINEERING & FLUID CONTROL DISTRIBUTORS

Est.1899

At Scattergood & Johnson Ltd, we pride ourselves on being a technical distributor to specialist industries.

Working with a range of quality product manufacturers across a number of specialist markets, we are not your average 'box shifter' - we are your technical and supply chain partner.

We fully support every product we sell - for free! Our internal team and external sales engineers can answer any product or application question, no matter the complexity.

Backing up this technical ability is a range of 50,000+ products available from stock for nationwide next day delivery (same day if required!), or you can collect what you need from any of our trade counters around the UK.

Select your specialist interest below to learn more about how we can help.



Online, In Branch and On the Road - Scattergood & Johnson Ltd, there when you need us.

**[www.scatts.co.uk](http://www.scatts.co.uk)**