

Protective cover - HC-STA-D07-HCLWS-PL-BK



1419275

<https://www.phoenixcontact.com/gb/products/1419275>

Please be informed that the data shown in this PDF document is generated from our Online Catalog. Please find the complete data in the user documentation. Our General Terms of Use for Downloads are valid.

Protective cover D7, with single locking latch, material: PA, protective cover material: PA, height: 28 mm, seal: no, Standard, diameter of retaining cord eyelet: 25 mm, with lanyard, for pin inserts



Commercial Data

Item number	1419275
Packing unit	1 pc
Minimum order quantity	1 pc
Sales Key	BF7AZC
Product Key	BF7AZC
Catalog Page	Page 514 (C-2-2019)
GTIN	4055626160269
Weight per Piece (including packing)	12.9 g
Weight per Piece (excluding packing)	13 g
Customs tariff number	85389099
Country of origin	CN

Protective cover - HC-STA-D07-HCLWS-PL-BK



1419275

<https://www.phoenixcontact.com/gb/products/1419275>

Technical Data

Product properties

Type	D7
Product type	Protective cover
Application	Standard
Type	for sleeve housing without single locking latch
Housing type	Protective cover
Seal present	no
Locking type	with single locking latch

Dimensions

Dimensional drawing	
Width	24.2 mm
Height	28 mm
Length	24.2 mm
Diameter of retaining cord eyelet	25 mm

Material specifications

Color	black
Material	PA
Flammability rating according to UL 94	V0 (Polyamide housing) V0 (Locking latch)
Material, protective cover	PA
Locking latch material	PA
Housing material	PA

Mechanical properties

Mechanical data

Locking type	Latch
--------------	-------

Environmental and real-life conditions

Ambient conditions

Degree of protection	IP66
Ambient temperature (operation)	-20 °C ... 100 °C

Mounting

Assembly instructions	Plastic protective cover for short-term protection
-----------------------	--

Protective cover - HC-STA-D07-HCLWS-PL-BK

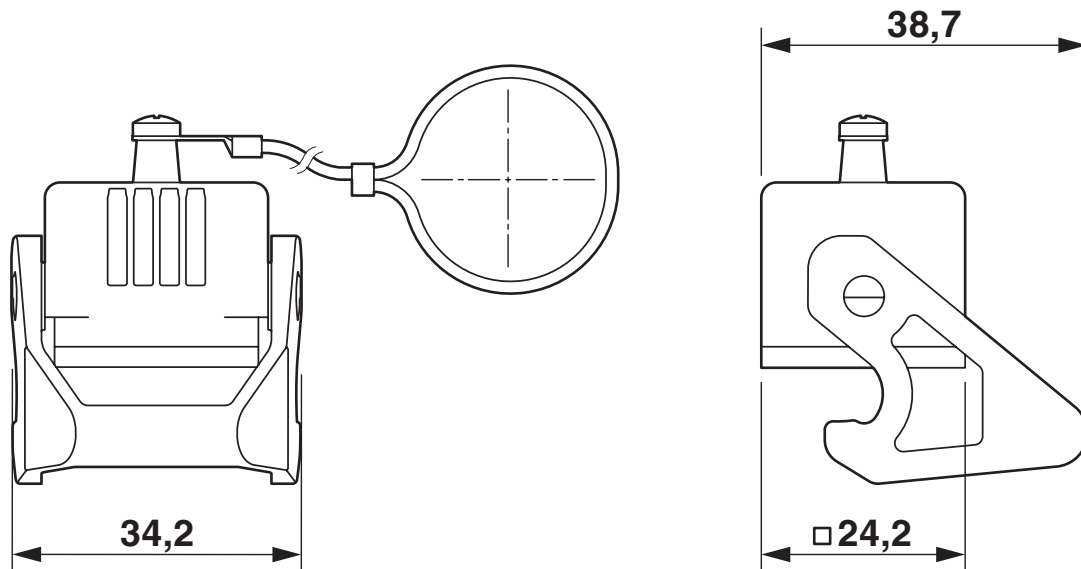


1419275

<https://www.phoenixcontact.com/gb/products/1419275>

Drawings

Dimensional drawing



Dimensional drawing

Protective cover - HC-STA-D07-HCLWS-PL-BK



1419275

<https://www.phoenixcontact.com/gb/products/1419275>

Approvals

DNV

Approval ID: TAE000037S



EAC

Approval ID: RU C-DE.AI30.B.01102

Protective cover - HC-STA-D07-HCLWS-PL-BK



1419275

<https://www.phoenixcontact.com/gb/products/1419275>

Classifications

ECLASS

ECLASS-9.0	27440208
ECLASS-10.0.1	27440208
ECLASS-11.0	27440208

ETIM

ETIM 8.0	EC002314
----------	----------

UNSPSC

UNSPSC 21.0	39121400
-------------	----------

Protective cover - HC-STA-D07-HCLWS-PL-BK



1419275

<https://www.phoenixcontact.com/gb/products/1419275>

Environmental Product Compliance

China RoHS	Environmentally Friendly Use Period = 50 years For information on hazardous substances, refer to the manufacturer's declaration available under "Downloads"
------------	--

Phoenix Contact 2022 © - all rights reserved
<https://www.phoenixcontact.com>

PHOENIX CONTACT Ltd
Halesfield 13, Telford
Shropshire, TF7 4PG
01952 681700
info@phoenixcontact.co.uk



**SCATTERGOOD
& JOHNSON LTD**
ELECTRICAL ENGINEERING & FLUID CONTROL DISTRIBUTORS

Est.1899

At Scattergood & Johnson Ltd, we pride ourselves on being a technical distributor to specialist industries.

Working with a range of quality product manufacturers across a number of specialist markets, we are not your average 'box shifter' - we are your technical and supply chain partner.

We fully support every product we sell - for free! Our internal team and external sales engineers can answer any product or application question, no matter the complexity.

Backing up this technical ability is a range of 50,000+ products available from stock for nationwide next day delivery (same day if required!), or you can collect what you need from any of our trade counters around the UK.

Select your specialist interest below to learn more about how we can help.



Online, In Branch and On the Road - Scattergood & Johnson Ltd, there when you need us.

www.scatts.co.uk