

# Contact insert - HC-Q03-I-CT-M



1419896

<https://www.phoenixcontact.com/gb/products/1419896>

Please be informed that the data shown in this PDF document is generated from our Online Catalog. Please find the complete data in the user documentation. Our General Terms of Use for Downloads are valid.



Contact insert, number of positions: 3+PE, size: D7, number of connections per position: 1, Pin, Crimp connection, 400 V, 40 A, 1.5 mm<sup>2</sup> ... 6 mm<sup>2</sup>, application: Power

## Commercial Data

Item number	1419896
Packing unit	1 pc
Minimum order quantity	1 pc
Sales Key	BF7ABJ
Product Key	BF7ABJ
Catalog Page	Page 511 (C-2-2019)
GTIN	4055626256153
Weight per Piece (including packing)	12.9 g
Weight per Piece (excluding packing)	12.3 g
Customs tariff number	85389099
Country of origin	CN

# Contact insert - HC-Q03-I-CT-M



1419896

<https://www.phoenixcontact.com/gb/products/1419896>

## Technical Data

### Notes

General	For HC-D7 housing, crimp contacts CK 4.0. Crimp contacts not included in scope of supply.
General	Connectors may be operated only when there is no load/voltage.

### Product properties

Type	D7
Product type	Contact insert with a fixed no. of positions
Number of positions	3
Connection profile	3+PE
Application	Power
Number of connections per position	1
Contact type	turned
Series	HC-HS

### Insulation characteristics

Overvoltage category	III
Degree of pollution	3

### Connection data

#### Connection technology

Connection technology	Crimp connection
Number of connections per position	1
Connection in acc. with standard	IEC / EN

#### Conductor connection

Connection cross section AWG	16 ... 10
Stripping length of the individual wire	9 mm (2,5 mm <sup>2</sup> ... 6,0 mm <sup>2</sup> ) 11 mm (for 10 mm <sup>2</sup> )

### Dimensions

Dimensional drawing	
Width	21 mm
Height	40 mm
Length	21 mm

### Mechanical characteristics

Contact diameter	4 mm
------------------	------

# Contact insert - HC-Q03-I-CT-M



1419896

<https://www.phoenixcontact.com/gb/products/1419896>

## Electrical properties

Rated voltage (III/3)	400 V
Rated surge voltage	6 kV
Rated current	40 A

## Material specifications

Color	light grey
Flammability rating according to UL 94	V0
Sealing material	NBR, conductive
Contact material	Copper alloy
Contact surface material	Ag
Contact carrier material	PC
Standards/regulations	PC: Fire protection in rail vehicles - requirement sets R22, R23, and R24 acc. to DIN EN 45545-2 (Risk level HL1 - HL3)

## Connector

Insertion/withdrawal cycles	≥ 500
-----------------------------	-------

## Cable / line

### Cable structure

Stripping length of the individual wire	9 mm (2,5 mm <sup>2</sup> ... 6,0 mm <sup>2</sup> )
	11 mm (for 10 mm <sup>2</sup> )

## Mounting

Assembly instructions	To ensure correct use, installation in housing with IP54 protection or better is required
-----------------------	---

## Ambient conditions

Degree of protection	IP20
Ambient temperature (operation)	-40 °C ... 125 °C (including heating up of contacts)

## Standards and regulations

Constructional and testing regulations	DIN VDE 0627/86
	DIN VDE 0110/02.79
	DIN VDE 0110-1/04.97
	IEC 60664-1, DIN IEC 60512
	IEC 60352
Tests	DIN VDE 0627/86
	DIN VDE 0110/02.79
	DIN VDE 0110-1/04.97
	IEC 60664-1, DIN IEC 60512
	IEC 60352

## Testing

# Contact insert - HC-Q03-I-CT-M



1419896

<https://www.phoenixcontact.com/gb/products/1419896>

## Standards/regulations

PC: Fire protection in rail vehicles - requirement sets R22, R23, and R24 acc. to DIN EN 45545-2 (Risk level HL1 - HL3)

# Contact insert - HC-Q03-I-CT-M

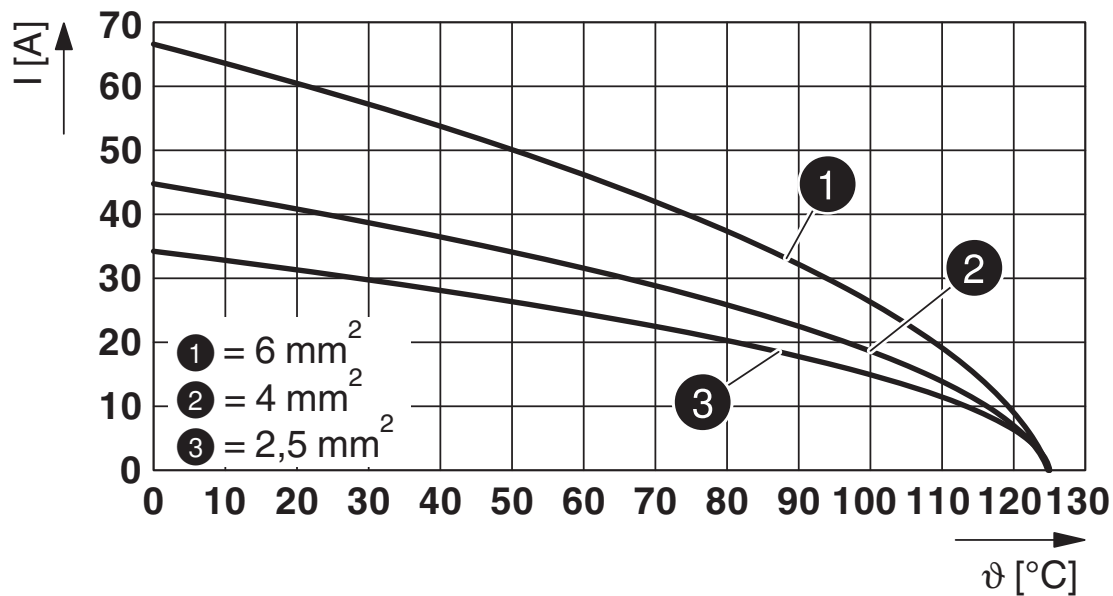


1419896

<https://www.phoenixcontact.com/gb/products/1419896>

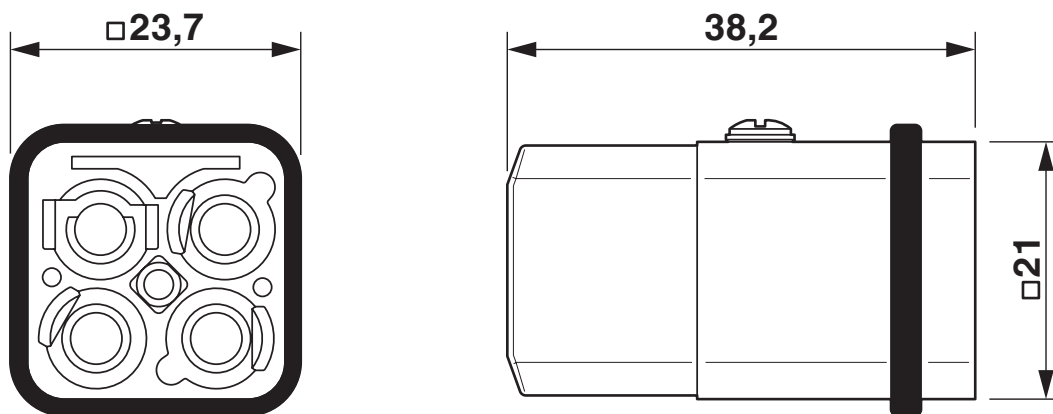
## Drawings

Diagram



Derating diagram

Dimensional drawing



Male insert


# Contact insert - HC-Q03-I-CT-M





1419896

<https://www.phoenixcontact.com/gb/products/1419896>

## Approvals

 <b>UL Recognized</b> Approval ID: E118976				
	Nominal Voltage $U_N$	Nominal Current $I_N$	Cross Section AWG	Cross Section $\text{mm}^2$
	600 V	50 A	- 8	-

 <b>EAC</b> Approval ID: RU C-DE.AI30.B.01102				
---	--	--	--	--

 <b>EAC</b> Approval ID: RU C-DE.BL08.B.00511				
---	--	--	--	--

# Contact insert - HC-Q03-I-CT-M



1419896

<https://www.phoenixcontact.com/gb/products/1419896>

## Classifications

### ECLASS

ECLASS-9.0	27440205
ECLASS-10.0.1	27440205
ECLASS-11.0	27440205

### ETIM

ETIM 8.0	EC000438
----------	----------

### UNSPSC

UNSPSC 21.0	39121500
-------------	----------

# Contact insert - HC-Q03-I-CT-M



1419896

<https://www.phoenixcontact.com/gb/products/1419896>

## Environmental Product Compliance

China RoHS

Environmentally friendly use period: unlimited = EFUP-e

No hazardous substances above threshold values

Phoenix Contact 2022 © - all rights reserved  
<https://www.phoenixcontact.com>

PHOENIX CONTACT Ltd  
Halesfield 13, Telford  
Shropshire, TF7 4PG  
01952 681700  
[info@phoenixcontact.co.uk](mailto:info@phoenixcontact.co.uk)



**SCATTERGOOD  
& JOHNSON LTD**  
ELECTRICAL ENGINEERING & FLUID CONTROL DISTRIBUTORS

Est.1899

At Scattergood & Johnson Ltd, we pride ourselves on being a technical distributor to specialist industries.

Working with a range of quality product manufacturers across a number of specialist markets, we are not your average 'box shifter' - we are your technical and supply chain partner.

We fully support every product we sell - for free! Our internal team and external sales engineers can answer any product or application question, no matter the complexity.

Backing up this technical ability is a range of 50,000+ products available from stock for nationwide next day delivery (same day if required!), or you can collect what you need from any of our trade counters around the UK.

Select your specialist interest below to learn more about how we can help.



Online, In Branch and On the Road - Scattergood & Johnson Ltd, there when you need us.

**[www.scatts.co.uk](http://www.scatts.co.uk)**