

# Contact insert - HC-A04-I-PT-F



1585281

<https://www.phoenixcontact.com/gb/products/1585281>

Please be informed that the data shown in this PDF document is generated from our Online Catalog. Please find the complete data in the user documentation. Our General Terms of Use for Downloads are valid.



Contact insert, number of positions: 4+PE, size: D7, number of connections per position: 1, Socket, Push-in connection, 230 V, 10 A, 0.14 mm<sup>2</sup> ... 1.5 mm<sup>2</sup>

## Your advantages

- Easy installation without tools, even when mounted, with push-in connection technology
- Shortest installation time compared to other connection technologies
- Quick and effortless wiring, in particular when space is tight
- Automatic cabling with robots possible
- Safe wiring and operation with color-coded actuators
- Shock and vibration-resistant in accordance with DIN EN 61373
- Cost-effective and fast coding with plastic profiles

## Commercial Data

Item number	1585281
Packing unit	1 pc
Minimum order quantity	1 pc
Sales Key	BF7ABJ
Product Key	BF7ABJ
Catalog Page	Page 505 (C-2-2019)
GTIN	4046356285018
Weight per Piece (including packing)	14.3 g
Weight per Piece (excluding packing)	14.2 g
Customs tariff number	85366990
Country of origin	CN

# Contact insert - HC-A04-I-PT-F



1585281

<https://www.phoenixcontact.com/gb/products/1585281>

## Technical Data

### Notes

General	only use flexible conductors with ferrules
General	Connectors may be operated only when there is no load/voltage.
General	for housing HC-D7

### Product properties

Type	D7
Product type	Contact insert with a fixed no. of positions
Number of positions	4
Connection profile	4+PE
Number of connections per position	1
Contact type	rolled
Series	HC-A

### Insulation characteristics

Overvoltage category	III
Degree of pollution	3

### Connection data

#### Connection technology

Connection technology	Push-in connection
Number of connections per position	1
Connection in acc. with standard	IEC / EN

#### Conductor connection

Connection cross section AWG	26 ... 16
Stripping length of the individual wire	10 mm

### Dimensions

Dimensional drawing	
Width	21 mm
Height	33.5 mm
Length	21 mm

### Mechanical characteristics

Contact diameter	1.6 mm
------------------	--------

### Electrical properties

# Contact insert - HC-A04-I-PT-F



1585281

<https://www.phoenixcontact.com/gb/products/1585281>

Rated voltage (III/3)	230 V
	400 V (Conductor-Conductor)
Rated voltage for power contacts	230/400 V
Rated surge voltage	4 kV
Rated current	10 A

## Material specifications

Color	light grey
Flammability rating according to UL 94	V0
Contact surface material	Ag
Contact carrier material	PC
Standards/regulations	PC: Fire protection in rail vehicles - requirement sets R22, R23, and R24 acc. to DIN EN 45545-2 (Risk level HL1 - HL3)

## Connector

Insertion/withdrawal cycles	≥ 500
-----------------------------	-------

## Cable / line

### Cable structure

Stripping length of the individual wire	10 mm
---	-------

## Mounting

Assembly instructions	To ensure correct use, installation in housing with IP54 protection or better is required
-----------------------	---

## Ambient conditions

Degree of protection	IP20
Ambient temperature (operation)	-40 °C ... 125 °C

## Standards and regulations

### Testing

Standards/regulations	PC: Fire protection in rail vehicles - requirement sets R22, R23, and R24 acc. to DIN EN 45545-2 (Risk level HL1 - HL3)
-----------------------	---

# Contact insert - HC-A04-I-PT-F

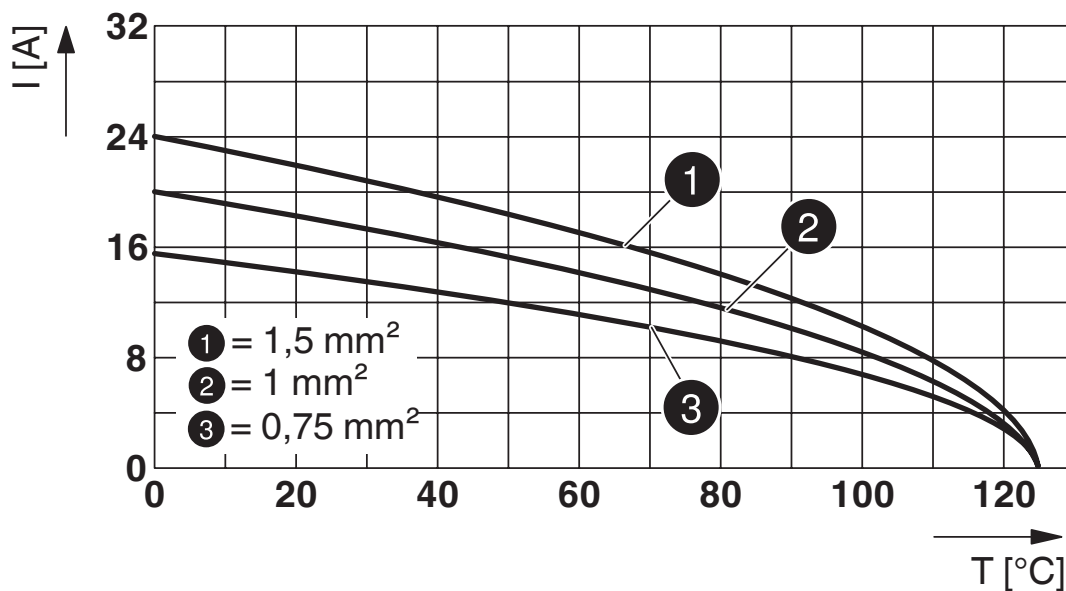


1585281

<https://www.phoenixcontact.com/gb/products/1585281>

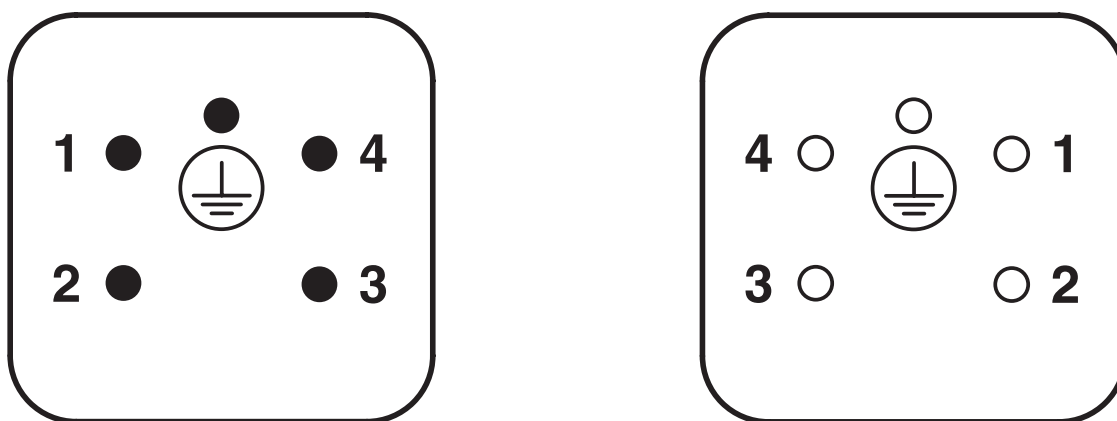
## Drawings

Diagram



Derating diagram

Schematic diagram



Connector pin assignment connection side: Left pin; right socket

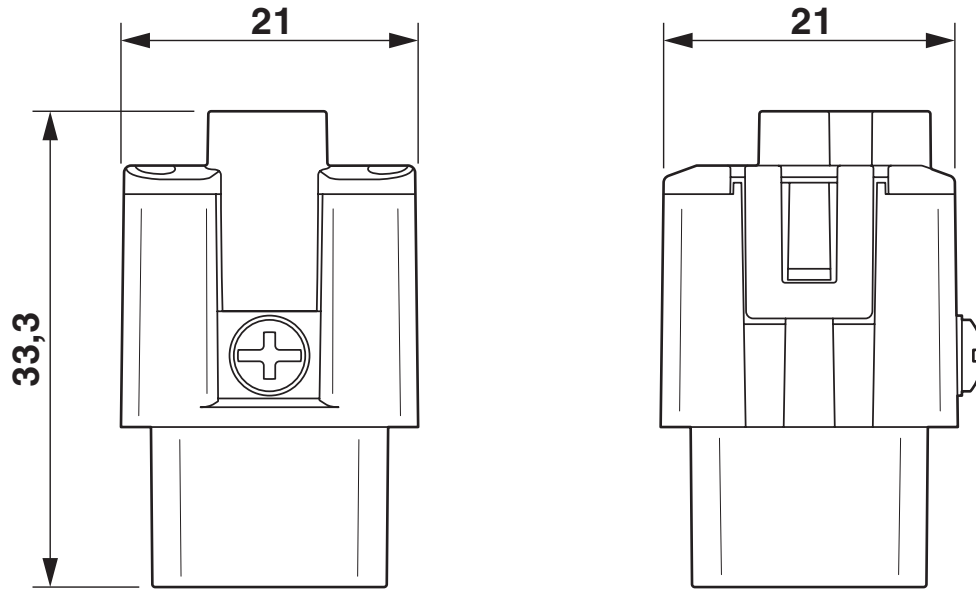
# Contact insert - HC-A04-I-PT-F



1585281

<https://www.phoenixcontact.com/gb/products/1585281>

Dimensional drawing



Female insert

# Contact insert - HC-A04-I-PT-F



1585281

<https://www.phoenixcontact.com/gb/products/1585281>

## Approvals

### DNV

Approval ID: TAE000037S



### CSA

Approval ID: 13631

	Nominal Voltage $U_N$	Nominal Current $I_N$	Cross Section AWG	Cross Section $\text{mm}^2$
	600 V	14 A	- 16	-



### UL Recognized

Approval ID: E118976

	Nominal Voltage $U_N$	Nominal Current $I_N$	Cross Section AWG	Cross Section $\text{mm}^2$
	600 V	16 A	- 16	-



### EAC

Approval ID: EAC-Zulassung



### EAC

Approval ID: RU C-DE.BL08.B.00511

# Contact insert - HC-A04-I-PT-F



1585281

<https://www.phoenixcontact.com/gb/products/1585281>

## Classifications

### ECLASS

ECLASS-9.0	27440205
ECLASS-10.0.1	27440205
ECLASS-11.0	27440205

### ETIM

ETIM 8.0	EC000438
----------	----------

### UNSPSC

UNSPSC 21.0	39121500
-------------	----------

# Contact insert - HC-A04-I-PT-F



1585281

<https://www.phoenixcontact.com/gb/products/1585281>

## Environmental Product Compliance

China RoHS

Environmentally friendly use period: unlimited = EFUP-e

No hazardous substances above threshold values

Phoenix Contact 2022 © - all rights reserved  
<https://www.phoenixcontact.com>

PHOENIX CONTACT Ltd  
Halesfield 13, Telford  
Shropshire, TF7 4PG  
01952 681700  
[info@phoenixcontact.co.uk](mailto:info@phoenixcontact.co.uk)



**SCATTERGOOD  
& JOHNSON LTD**  
ELECTRICAL ENGINEERING & FLUID CONTROL DISTRIBUTORS

Est.1899

At Scattergood & Johnson Ltd, we pride ourselves on being a technical distributor to specialist industries.

Working with a range of quality product manufacturers across a number of specialist markets, we are not your average 'box shifter' - we are your technical and supply chain partner.

We fully support every product we sell - for free! Our internal team and external sales engineers can answer any product or application question, no matter the complexity.

Backing up this technical ability is a range of 50,000+ products available from stock for nationwide next day delivery (same day if required!), or you can collect what you need from any of our trade counters around the UK.

Select your specialist interest below to learn more about how we can help.



Online, In Branch and On the Road - Scattergood & Johnson Ltd, there when you need us.

**[www.scatts.co.uk](http://www.scatts.co.uk)**