

Connector - HC-A3-STQ1,5-KML-G-PA



1641604

<https://www.phoenixcontact.com/gb/products/1641604>

Please be informed that the data shown in this PDF document is generated from our Online Catalog. Please find the complete data in the user documentation. Our General Terms of Use for Downloads are valid.



HEAVYCON QUICKON coupling housing A3, for single locking latch, 3-pos., with PE connection, plug, QUICKON connection, straight cable outlet

Commercial Data

Item number	1641604
Packing unit	1 pc
Minimum order quantity	1 pc
Sales Key	BF7AJX
Product Key	BF7AJX
Catalog Page	Page 505 (C-2-2019)
GTIN	4017918890001
Weight per Piece (including packing)	35.4 g
Weight per Piece (excluding packing)	35.2 g
Customs tariff number	85366990
Country of origin	PL

Connector - HC-A3-STQ1,5-KML-G-PA



1641604

<https://www.phoenixcontact.com/gb/products/1641604>

Technical Data

Product properties

Type	D7
Product type	Contact insert with a fixed no. of positions
Number of positions	3
Connection profile	3+PE
Application	Standard
No. of cable outlets	1
Type	Male
Housing type	Complete housing
Locking type	with single locking latch
Series	HC-A
Shielded	no
Cable outlet	straight
Pg screw connection	with

Insulation characteristics

Overvoltage category	III
Degree of pollution	3

Connection data

Connection technology

Connection technology	QUICKON connection
-----------------------	--------------------

Conductor connection

Connection cross section AWG	18 ... 16
------------------------------	-----------

Dimensions

Dimensional drawing	
Width	34 mm
Height	62.8 mm
Length	26.5 mm

Electrical properties

Rated voltage (III/3)	230 V (Conductor-PE)
Rated surge voltage (II/2)	4 kV

Connector - HC-A3-STQ1,5-KML-G-PA



1641604

<https://www.phoenixcontact.com/gb/products/1641604>

Rated surge voltage (III/2)	4 kV
Rated surge voltage (III/3)	4 kV
Rated surge voltage	4 kV
Rated current	10 A
rated voltage (II/2)	630 V
rated voltage (III/2)	320 V
Rated voltage (III/3)	230/400 V
	230 V (Conductor-PE)
	400 V (Conductor-Conductor)

Mechanical properties

Mechanical data

Locking type	Latch
--------------	-------

Material specifications

Flammability rating according to UL 94	V0
Insulating material	PA
Contact material	Copper alloy
Contact surface material	Ag
Contact carrier material	PA
Housing material	PA

Connector

Insertion/withdrawal cycles	>= 500
-----------------------------	--------

Cable / line

Cable structure

External cable diameter	6 mm ... 12 mm
Wire insulation material	PVC / PE
Wire diameter including insulation	1.8 mm ... 3 mm

Mounting

Mounting type	This product is only intended for use outdoors.
Assembly instructions	This product is only intended for use outdoors.
	If the conductor is reconnected, it must be cut off above the last contact point. QUICKON components may only be operated when under no load.

Ambient conditions

Degree of protection	IP65
Ambient temperature (operation)	-25 °C ... 80 °C
Temperature when conductor connected	-5 °C ... 50 °C (specifications of the cable manufacturer must also be observed)
Ambient temperature (storage/transport)	-40 °C ... 70 °C

Connector - HC-A3-STQ1,5-KML-G-PA

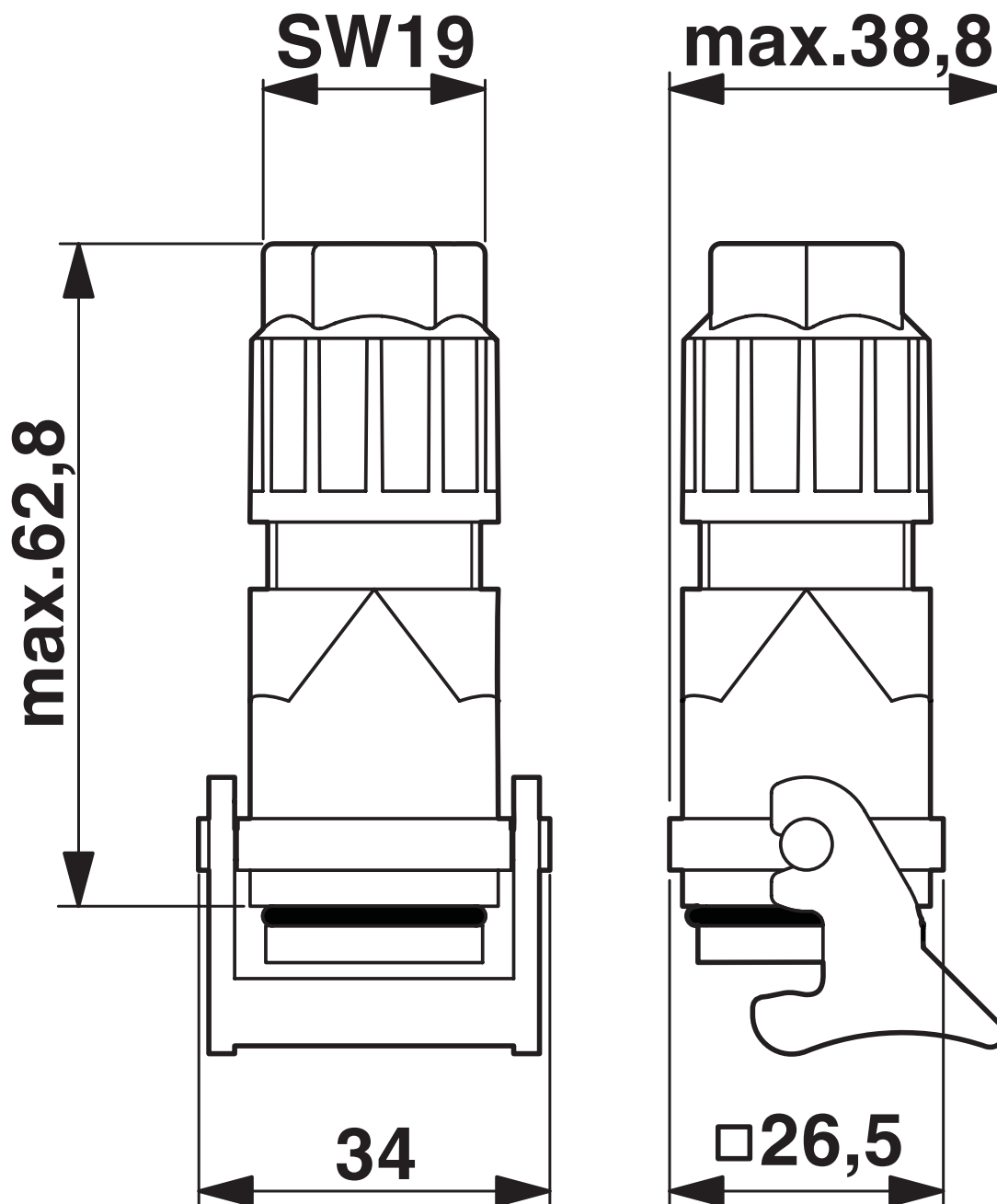


1641604

<https://www.phoenixcontact.com/gb/products/1641604>

Drawings

Dimensional drawing

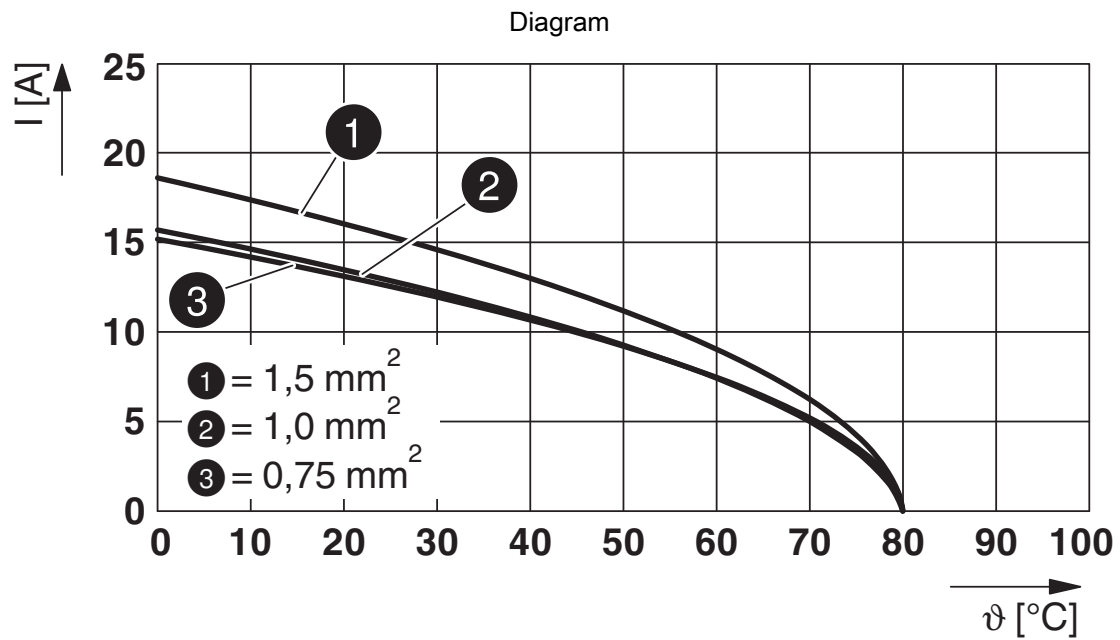


Dimensional drawing

Connector - HC-A3-STQ1,5-KML-G-PA



1641604

<https://www.phoenixcontact.com/gb/products/1641604>

Derating diagram

Connector - HC-A3-STQ1,5-KML-G-PA



1641604

<https://www.phoenixcontact.com/gb/products/1641604>

Approvals

DNV

Approval ID: TAE000037S

**cUL Recognized**

Approval ID: FILE E 118976

	Nominal Voltage U_N	Nominal Current I_N	Cross Section AWG	Cross Section mm^2
	600 V	10 A	18 - 16	-

**UL Recognized**

Approval ID: FILE E 118976

	Nominal Voltage U_N	Nominal Current I_N	Cross Section AWG	Cross Section mm^2
	600 V	10 A	18 - 16	-

**EAC**

Approval ID: RU C-DE.AI30.B.01102

cULus Recognized

Connector - HC-A3-STQ1,5-KML-G-PA



1641604

<https://www.phoenixcontact.com/gb/products/1641604>

Classifications

ECLASS

ECLASS-9.0	27440101
ECLASS-10.0.1	27440101
ECLASS-11.0	27440101
ECLASS-12.0	27440113

ETIM

ETIM 8.0	EC002636
----------	----------

UNSPSC

UNSPSC 21.0	39121400
-------------	----------

Connector - HC-A3-STQ1,5-KML-G-PA



1641604

<https://www.phoenixcontact.com/gb/products/1641604>

Environmental Product Compliance

China RoHS

Environmentally Friendly Use Period = 50 years

For information on hazardous substances, refer to the manufacturer's declaration available under "Downloads"

Phoenix Contact 2022 © - all rights reserved

<https://www.phoenixcontact.com>

PHOENIX CONTACT Ltd

Halesfield 13, Telford

Shropshire, TF7 4PG

01952 681700

info@phoenixcontact.co.uk



SCATTERGOOD & JOHNSON LTD

ELECTRICAL ENGINEERING & FLUID CONTROL DISTRIBUTORS

Est.1899

At Scattergood & Johnson Ltd, we pride ourselves on being a technical distributor to specialist industries.

Working with a range of quality product manufacturers across a number of specialist markets, we are not your average 'box shifter' - we are your technical and supply chain partner.

We fully support every product we sell - for free! Our internal team and external sales engineers can answer any product or application question, no matter the complexity.

Backing up this technical ability is a range of 50,000+ products available from stock for nationwide next day delivery (same day if required!), or you can collect what you need from any of our trade counters around the UK.

Select your specialist interest below to learn more about how we can help.



Online, In Branch and On the Road - Scattergood & Johnson Ltd, there when you need us.

www.scatts.co.uk