

Crimp contact - CK1,6-ED-2,50BU AU



1674985

<https://www.phoenixcontact.com/gb/products/1674985>

Please be informed that the data shown in this PDF document is generated from our Online Catalog. Please find the complete data in the user documentation. Our General Terms of Use for Downloads are valid.



Crimp contact, contact diameter: 1.6 mm, turned, Socket, contact material: Copper alloy, contact surface: gold-plated, connection cross section: 2.5 mm² ... 2.5 mm², AWG 14

Commercial Data

Item number	1674985
Packing unit	100 pc
Minimum order quantity	100 pc
Sales Key	BF7AIA
Product Key	BF7AIA
Catalog Page	Page 507 (C-2-2019)
GTIN	4017918135683
Weight per Piece (including packing)	0.5 g
Weight per Piece (excluding packing)	0.495 g
Customs tariff number	85366990
Country of origin	DE

Crimp contact - CK1,6-ED-2,50BU AU



1674985

<https://www.phoenixcontact.com/gb/products/1674985>

Technical Data

Product properties

Product type	Crimp contact
Type	Individual female contact
Contact type	turned
Series	HC-M-12 HC-M-EMV HC-D HC-DD VC-D HC-M-03/04 HC-M-17 HC-K HC-Q HC-COM

Mounting

Assembly instructions	At voltages of < 5 V and currents < 5 mA, gold-plated contacts are recommended. The quality of a crimp connection is determined by DIN EN 60352-2.
-----------------------	---

Material specifications

Contact material	Copper alloy
Contact surface material	gold-plated

Notes

General	for HC-M-12, HC-M-17, HC-M-03/04, HC-M-EMV, HC-D, HC-DD, HC-Q, and VC-D contact carriers
---------	--

Dimensions

Mechanical characteristics

Contact diameter	1.6 mm
------------------	--------

Environmental and real-life conditions

Ambient conditions

Ambient temperature (operation)	-40 °C ... 125 °C
---------------------------------	-------------------

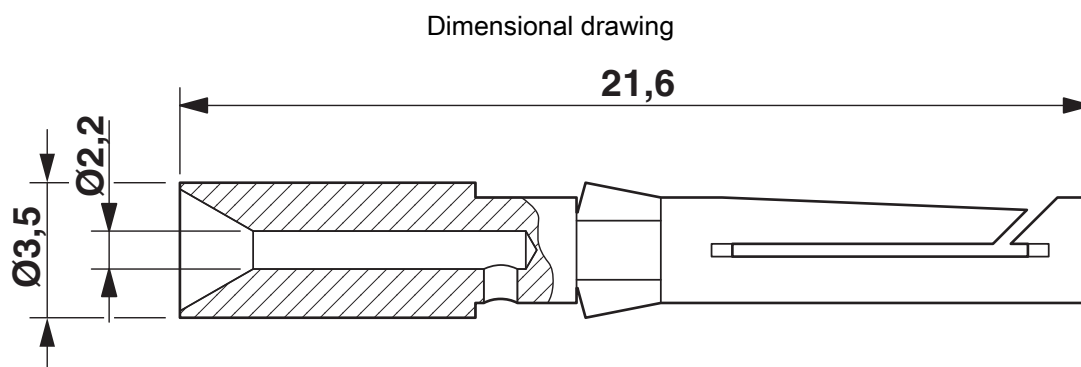
Crimp contact - CK1,6-ED-2,50BU AU



1674985

<https://www.phoenixcontact.com/gb/products/1674985>

Drawings



Dimensional drawing

Crimp contact - CK1,6-ED-2,50BU AU



1674985

<https://www.phoenixcontact.com/gb/products/1674985>

Approvals



EAC

Approval ID: RU C-DE.AI30.B.01102

Crimp contact - CK1,6-ED-2,50BU AU



1674985

<https://www.phoenixcontact.com/gb/products/1674985>

Classifications

ECLASS

ECLASS-9.0	27440204
ECLASS-10.0.1	27440204
ECLASS-11.0	27440204

ETIM

ETIM 8.0	EC000796
----------	----------

UNSPSC

UNSPSC 21.0	39121500
-------------	----------

Crimp contact - CK1,6-ED-2,50BU AU



1674985

<https://www.phoenixcontact.com/gb/products/1674985>

Environmental Product Compliance

REACH SVHC	Lead 7439-92-1
China RoHS	Environmentally Friendly Use Period = 50 years
	For information on hazardous substances, refer to the manufacturer's declaration available under "Downloads"

Phoenix Contact 2022 © - all rights reserved

<https://www.phoenixcontact.com>

PHOENIX CONTACT Ltd
Halesfield 13, Telford
Shropshire, TF7 4PG
01952 681700
info@phoenixcontact.co.uk



SCATTERGOOD & JOHNSON LTD

ELECTRICAL ENGINEERING & FLUID CONTROL DISTRIBUTORS

Est.1899

At Scattergood & Johnson Ltd, we pride ourselves on being a technical distributor to specialist industries.

Working with a range of quality product manufacturers across a number of specialist markets, we are not your average 'box shifter' - we are your technical and supply chain partner.

We fully support every product we sell - for free! Our internal team and external sales engineers can answer any product or application question, no matter the complexity.

Backing up this technical ability is a range of 50,000+ products available from stock for nationwide next day delivery (same day if required!), or you can collect what you need from any of our trade counters around the UK.

Select your specialist interest below to learn more about how we can help.



Online, In Branch and On the Road - Scattergood & Johnson Ltd, there when you need us.

www.scatts.co.uk