

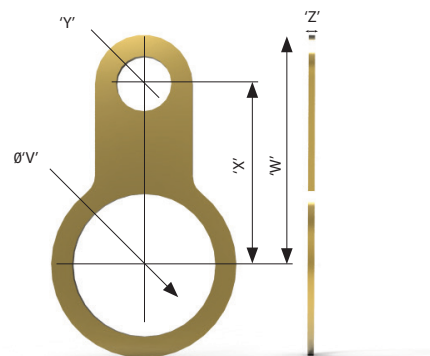


# EARTH TAGS

Brass or Stainless Steel

## General Information

- Provides an earth bond attachment for a cable gland.
- Manufactured in Brass as standard.
- Stainless Steel earthtags are available, but the dimensions may differ slightly to those stated in the selection table. Please contact Hawke Sales Team for details.
- The earthtags shape may vary for different sizes.



## Selection Table

Gland Size 'V'	'Y'	'W'	'X'	'Z'
M20	6.75	39.6	33.1	1.5
M25	6.85	45.5	36.5	1.5
M32	12.6	52	40.9	1.5
M40	13.4	59.6	44.2	1.5
M50	13.5	78.9	58.1	1.5
M63	13.5	87.6	66.8	1.5
M75	13.5	93.7	72.9	1.5
M80	14	128	104	1.5
M90	14	128	104	1.5
M100	14	128	104	2
M110	13.5	136	115	2
M115	13.5	141	120	2
M120	13.5	143.5	122.5	2
M130	13.5	153	128	2

Note: All dimensions are in millimetres.

## Ordering Example:

Product	Thread Size	Material	Finish
Earthtag	M25	Brass	N/A

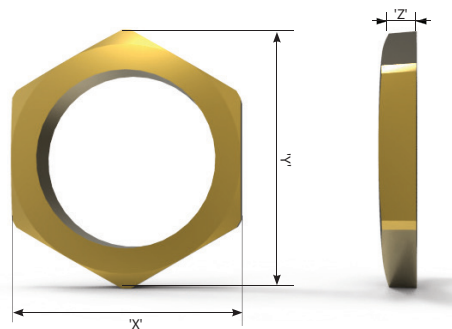


# LOCKNUTS

Brass or Stainless Steel

## General Information

- For use on cable gland entry threads.
- Manufactured in Brass as standard.
- Stainless Steel locknuts are also available, but dimensions may differ from the ones in the table.
- Locknuts for PG thread sizes are available.



## Selection Table

Gland Size	Across Flats 'X'	Across Corners 'Y'	'Z'	NPT * Gland Size	Across Flats 'X'	Across Corners 'Y'	'Z'
M16	22	24	3.7/4.7	—	—	—	—
M20	24	26.4	3.7/4.7	½"	27	29.7	3.0/4.0
M25	30	33.3	3.7/4.7	¾"	30.5	33.5	3.7/4.7
M32	40	44	3.7/4.7	1"	36	39.5	6.0/7.0
M40	46	50.5	4.5/5.5	1 ¼"	46	50.5	6.0/7.0
M50	65	71.5	4.5/5.5	1 ½"	55	60.6	6.0/7.0
M63	80	88	6.0/7.0	2"	65	70.8	6.0/7.0
M75	90	99	6.5/7.5	2 ½"	80	90	6.0/7.0
M80	107	122.2	9.5/10.5	3"	95	107	6.0/7.0
M90	107	122.2	9.5/10.5	3 ½"	128	143	8.5/9.5
M100	128	147	9.5/10.5	4"	128	143	8.5/9.5
M110	128	147	9.5/10.5	5"	170	187	9.5/10.5
M115	128	147	9.5/10.5	6"	200	220	9.5/10.5
M120	140	152	9.5/10.5	---	---	---	---
M130	150	165	9.5/10.5	---	---	---	---

Note: All dimensions are in millimetres except where \* denotes dimensions in inches.

## Ordering Example:

Product	Thread Size	Material	Product	Thread Size	Material
Locknut	M25	Brass	Locknut	1" NPT	NP

Product design and specifications are subject to change without notice. Please check the Hawke website for latest specifications.



**SCATTERGOOD  
& JOHNSON LTD**  
ELECTRICAL ENGINEERING & FLUID CONTROL DISTRIBUTORS

Est.1899

At Scattergood & Johnson Ltd, we pride ourselves on being a technical distributor to specialist industries.

Working with a range of quality product manufacturers across a number of specialist markets, we are not your average 'box shifter' - we are your technical and supply chain partner.

We fully support every product we sell - for free! Our internal team and external sales engineers can answer any product or application question, no matter the complexity.

Backing up this technical ability is a range of 50,000+ products available from stock for nationwide next day delivery (same day if required!), or you can collect what you need from any of our trade counters around the UK.

Select your specialist interest below to learn more about how we can help.



Online, In Branch and On the Road - Scattergood & Johnson Ltd, there when you need us.

**[www.scatts.co.uk](http://www.scatts.co.uk)**