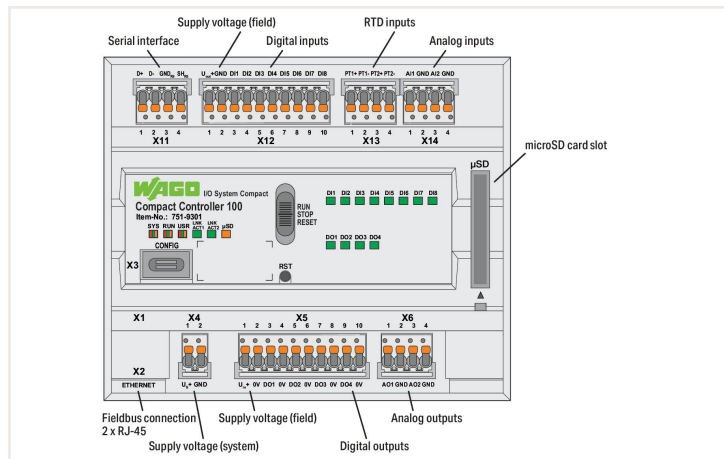
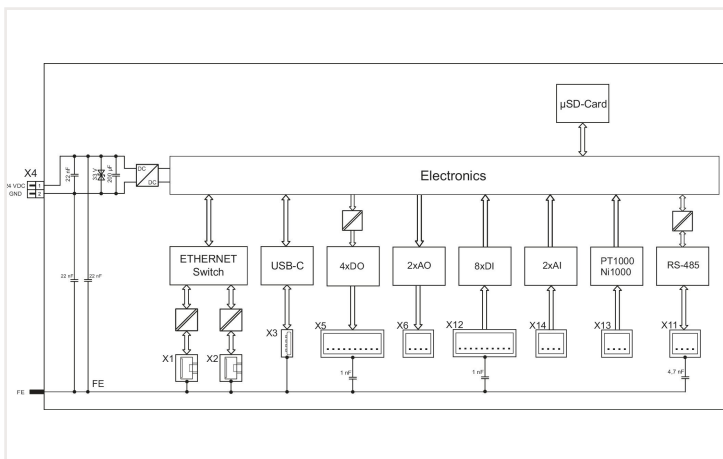


**Data sheet | Item number: 751-9301**

Compact Controller 100; 8DI 4DO 2AI 2AO 2NI1K/PT1K 1RS485; 2 x ETHERNET; SD



<https://www.wago.com/751-9301>



**Technical data**

Communication	Modbus (TCP, UDP) EtherCAT master EtherNet/IP™ Adapter (slave) EtherNet/IP™ Scanner Modbus® RTU RS-485 interface MQTT
ETHERNET protocols	DHCP DNS NTP FTP FTPS SNMP HTTP HTTPS SSH
Visualization	Web-Visu
Operating system	Real-time Linux (with RT-Preempt patch)
CPU	Cortex A7; 650 MHz
Programming languages per IEC 61131-3	Instruction List (IL) Ladder Diagram (LD) Function Block Diagram (FBD) Continuous Function Chart (CFC) Structured Text (ST) Sequential Function Chart (SFC)
Programming environment	CODESYS V3.5 Node-RED
Configuration options	CODESYS V3.5 ETHERNET Settings Web-Based Management WAGUpload WAGO Solution Builder
Baud rate (communication/fieldbus 1)	10/100 Mbit/s
Baud rate	ETHERNET: 10/100 Mbit/s
Transmission medium (communication/fieldbus)	ETHERNET: Twisted pair S-UTP; 100 Ω; Cat. 5; 100 m maximum cable length
Main memory (RAM)	512 MB
Internal memory (flash)	4096 MB
Non-volatile hardware memory	128 KB
Program memory	32 MB
Data memory	128 MB
Non-volatile software memory	128 KB
Type of memory card	microSD up to 32 GB (all guaranteed properties only valid with WAGO's memory card)
Memory card slot	Push-push mechanism

### Technical data

Indicators	LED (SYS, RUN), red/green: Status of system; LED (USR) red/green: User programmable status (can be used via CODESYS library); LED (SD) orange: Status of $\mu$ SD; LED (LNK/ACT) green: Network connection via ports 1 ... 2; LED (DI1 ... 8) green: Status of inputs; LED (DO1 ... 4) green: Status of outputs
Controls	Operating mode switch (RUN, STOP, RESET); reset button
Supply voltage (system)	24 VDC (-15 ... +20 %); via pluggable connector ( <i>picoMAX</i> <sup>®</sup> 3.5; Push-in CAGE CLAMP <sup>®</sup> connection)
Current consumption (system) max.	500 mA
Supply voltage (field)	24 VDC (-15 ... +20 %); via pluggable connector ( <i>picoMAX</i> <sup>®</sup> 3.5; Push-in CAGE CLAMP <sup>®</sup> connection)
Current consumption (field) max.	2000 mA
Isolation	1250 V (DC 1 min., between system and field level)
Number of digital inputs	8
Input characteristic	Type 3 (per EN 61131-2)
Number of digital outputs	4
Output current (per channel)	500 mA (DC)
Output current	short-circuit-protected
Signal type	Voltage Resistance measurement
Signal type (voltage)	0 ... 10 VDC
Number of analog inputs	2
Resolution of analog inputs	16 bits
Number of analog outputs	2
Resolution of analog outputs	12 bits
Load impedance (voltage output)	$\geq 5 \text{ k}\Omega$
Number of measurement inputs	2
Temperature range	-60 °C ... 350 °C, PT1000, Ni1000

### Connection data

Connection technology: communication/fieldbus	Modbus TCP/UDP: 2 x RJ-45; RS-485 interface: 1 x Female connector, 4-pole; Push-in CAGE CLAMP <sup>®</sup>
Connection technology: system supply	1 x Female connector, 2-pole; Push-in CAGE CLAMP <sup>®</sup>
Connection technology: field supply	2 x Female connector, 10-pole; Push-in CAGE CLAMP <sup>®</sup>
Solid conductor	0.2 ... 1.5 mm <sup>2</sup> / 24 ... 14 AWG
Fine-stranded conductor	0.2 ... 1.5 mm <sup>2</sup> / 24 ... 14 AWG
Strip length	8 ... 9 mm / 0.31 ... 0.35 inches

### Physical data

Width	108 mm / 4.252 inches
Height	90 mm / 3.543 inches
Depth from upper-edge of DIN-rail	55 mm / 2.165 inches

### Mechanical data

Weight	348 g
Housing material	Polycarbonate, polyamid
Conformity marking	CE; UKCA

## Environmental requirements

Ambient temperature (operation)	-25 ... +60 °C
Surrounding air temperature (storage)	-40 ... +85 °C
Protection type	IP20
Pollution degree (5)	2 per IEC 61131-2
Protection class	II
Operating altitude	0 ... 2000 m / 0 ... 6562 ft
Relative humidity (without condensation)	95 %
Mounting position	any
Mounting type	DIN-35 rail
Vibration resistance	1g per IEC 60068-2-6
Shock resistance	15g per IEC 60068-2-27
EMC immunity to interference	per EN 61000-6-2
EMC emission of interference	per EN 61000-6-3
Fire load	0 MJ

## Approvals and certificates

### UL-Approvals



Approval	Standard	Certificate name
UL Underwriters Laboratories Inc. (ORDINARY LOCATIONS)	UL 61010-2-201	E175199



**SCATTERGOOD  
& JOHNSON LTD**  
ELECTRICAL ENGINEERING & FLUID CONTROL DISTRIBUTORS

Est.1899

At Scattergood & Johnson Ltd, we pride ourselves on being a technical distributor to specialist industries.

Working with a range of quality product manufacturers across a number of specialist markets, we are not your average 'box shifter' - we are your technical and supply chain partner.

We fully support every product we sell - for free! Our internal team and external sales engineers can answer any product or application question, no matter the complexity.

Backing up this technical ability is a range of 50,000+ products available from stock for nationwide next day delivery (same day if required!), or you can collect what you need from any of our trade counters around the UK.

Select your specialist interest below to learn more about how we can help.



Online, In Branch and On the Road - Scattergood & Johnson Ltd, there when you need us.

**[www.scatts.co.uk](http://www.scatts.co.uk)**