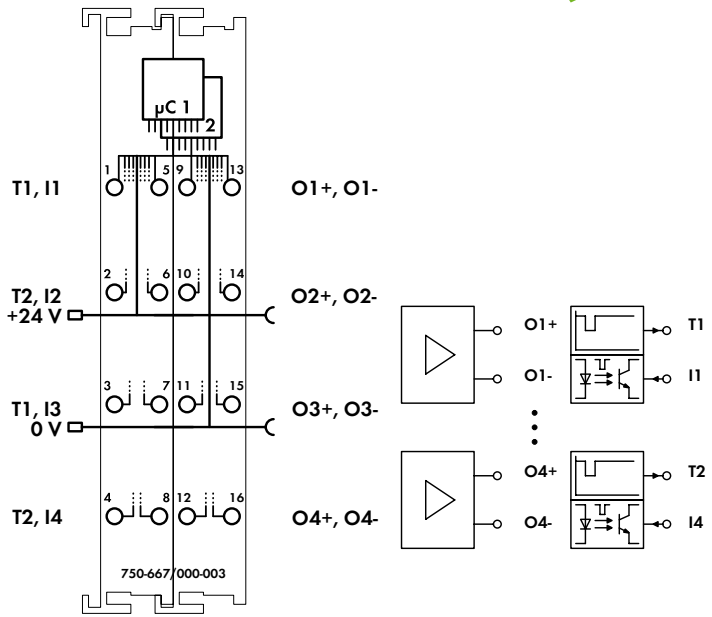
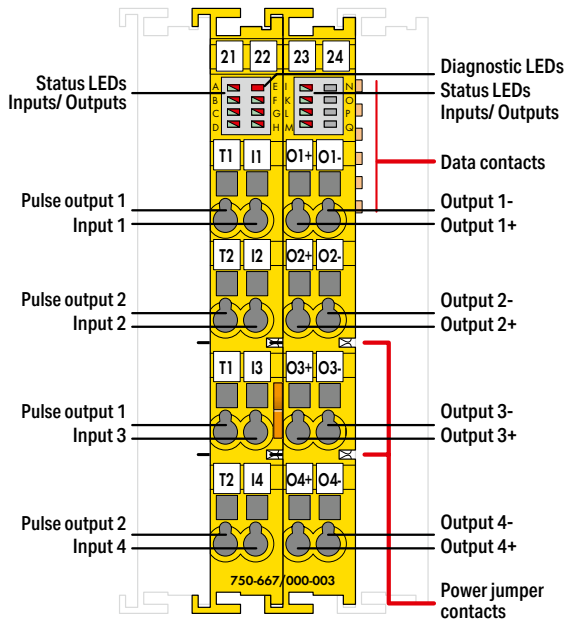


Fail-safe 4/4 channel digital input/output; 24 VDC; 2 A; PROFIsafe V2.0 iPar



The 75x-667/000-003 module is equipped with 4 power outputs (O1 ... O4) and 4 clock sensitive inputs (I1 ... I4). The sensors can be supplied directly with 24V, or fed by 2 differently clocked outputs (T1 ... T2). The inputs connect potential-free, emergency-off switches with contacts, protection door switches, mode selectors, as well as both safety sensors and semiconductor outputs (e.g., light barriers, PLC outputs). The power outputs switch both DC13 resistive and inductive loads with up to a 2A-rated current without requiring any additional external circuit. The power outputs operate in both bipolar (high-side/low-side switching) and unipolar (common potential on one side of the load) modes. The modules monitor short-circuits, cross circuits and 24V voltage supply from separate sources. Both the monitoring and additional safety relevant parameters (e.g., operating modes, switching off test pulses, discrepancy or filter times) can be configured via WAGO-I/O-CHECK.

The configuration tool can be conveniently integrated into engineering systems supporting both CC2 and CC3 tool calling interfaces (TCI). When exchanging modules, parameters are automatically downloaded into the control unit via PROFIsafe-compatible iPar server – depending on settings. The PROFIsafe address can be set using the DIP switch on the side of the module, or via WAGO-I/O-CHECK. The modules support both PROFIsafe V1 (PROFIBUS) and V2 (PROFIBUS, PROFINET) protocols. Individual input modules can be arranged in any combination when configuring the fieldbus node. To protect the module against surge voltages (over-voltage protection acc. to IEC 61000-4-5), a WAGO filter module or an external surge filter must be used for the 24V supply voltage. Reference the product manual for further information (available in German and English).

Description	Item No.	Pack. Unit
4FDI/4FDO 24V/2A PROFIsafe V2 iPar	750-667/000-003	1
4FDI/4FDO 24V/2A PROFIsafe V2 iPar (without connector)	753-667/000-003	1
Accessories	Item No.	Pack. Unit
Mini-USB Quick Marking System;		
plain	248-501	50
Plug; Safety	753-120	25
Coding elements	753-150	100
Standards and Approvals		
Safety standards	IEC 61508-1 ... -7; EN ISO 13849-1; EN 62061	
Conformity marking	CE	
Korea Certification	KC	
Marine applications	DNV	
ATEX Guideline 2014/34/EU		
Ⓢ TÜV 07 ATEX 554086 X	EN 60079-0, -15	
	I M2 Ex d I Mb,	
	II 3 G Ex nA IIC T4 Gc,	
	II 3 D Ex tc IIIC T135°C Dc	
EC EMC guideline 2014/30/EU		
EMC immunity of interference	EN 61000-6-2; EN 61131-2; EN 61326-3-1; DNV	
EMC emission of interference	EN 61000-6-4; EN 61131-2; DNV	
Ⓢ E175199 Ordinary Locations	UL 508	
Ⓢ UL E198726 Hazardous Locations	UL 121201	
	Class I, Div2 ABCD T4	
IECEx TUN 09.0001 X	IEC 60079-0, -15	
	Ex d I Mb,	
	Ex nA IIC T4 Gc,	
	Ex tc IIIC T135°C Dc	

Technical Data	
Inputs:	
Sensor inputs	I1 ... I4; clock sensitive to T1 ... T2; Type 1 per IEC 61131
Input current (typ.)	2.2 mA
Input frequency (max.)	50 Hz
Outputs:	
Power outputs	O1 ... O4; power outputs for actuators
Output current (per channel)	O1 ... O4: 2 A; per IEC 61131
Total output current	8 A
Switching frequency (max.)	Resistive load = 50 Hz; Inductive load (DC13) = 0.1 Hz
Capacitive load for each channel	O1 ... O4; 2.2 µF
Test pulse length	0 ... 500 ms
Achievable safety classes	SIL 3; Category 4, PL e
Supply voltage (system)	5 VDC; via data contacts
Supply voltage (field)	24 VDC, SELV/PELV (-15 ... +20 %); via power jumper contacts (power supply via blade contact; transmission via spring contact)
Power consumption (5 V system supply)	180 mA
Power consumption, field supply (module with no external load)	20 mA
Connection technology: inputs/outputs	CAGE CLAMP®
Conductor cross sections	0.08 ... 2.5 mm² / 28 ... 14 AWG
Strip length	8 ... 9 mm / 0.33 inch (750 Series); 9 ... 10 mm / 0.37 inch (753 Series)
Dimensions W x H x D	24 x 100 x 67.8 mm
Weight	104.5 g



**SCATTERGOOD  
& JOHNSON LTD**  
ELECTRICAL ENGINEERING & FLUID CONTROL DISTRIBUTORS

Est.1899

At Scattergood & Johnson Ltd, we pride ourselves on being a technical distributor to specialist industries.

Working with a range of quality product manufacturers across a number of specialist markets, we are not your average 'box shifter' - we are your technical and supply chain partner.

We fully support every product we sell - for free! Our internal team and external sales engineers can answer any product or application question, no matter the complexity.

Backing up this technical ability is a range of 50,000+ products available from stock for nationwide next day delivery (same day if required!), or you can collect what you need from any of our trade counters around the UK.

Select your specialist interest below to learn more about how we can help.



Online, In Branch and On the Road - Scattergood & Johnson Ltd, there when you need us.

**[www.scatts.co.uk](http://www.scatts.co.uk)**