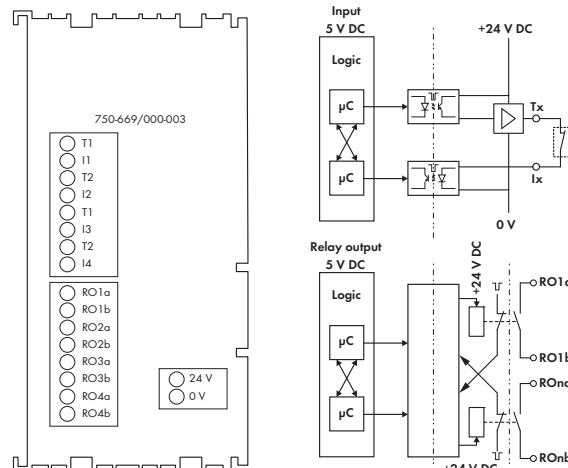
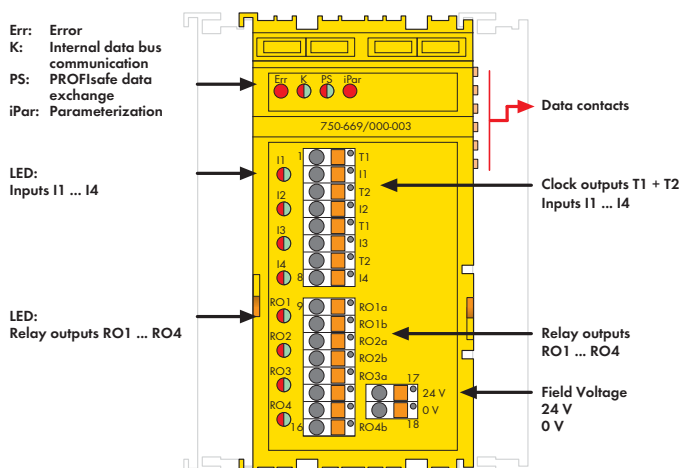






750-669/000-003

# Fail-Safe 4/4-Channel Digital Input and Relay Output Module PROFIsafe V2 iPar



The relay module has 4 safe inputs and 4 safe relay outputs and is particularly suitable for applications that require, e.g., individually electrically isolated outputs, that must switch high loads or that are controlled via different types of voltage (e.g., DC or AC). The electrically isolated outputs can be freely combined with each other, so that Cat. 2 or Cat. 4 architectures up to SIL3 or PLe are possible. Depending on the requirements, four safe inputs can be used, e.g., as monitoring inputs for the contactor feedback contacts or freely for switches or door contacts. On the input side, the module monitors: short circuits, cross circuits and 24 V power supply from separate sources. Both the monitoring and additional safety relevant parameters (e.g., operating modes, test pulse length, discrepancy or filter times) can be configured via WAGO-I/O-CHECK. The configuration tool can be conveniently integrated into engineering systems supporting both CC2 and CC3 tool calling interfaces (TCI). When exchanging modules, parameters are automatically downloaded into the control unit via PROFIsafe-compatible iPar server - depending

on settings. The PROFIsafe address can be set using the DIP switch on the side of the module, or via WAGO-I/O-CHECK. The module supports both PROFIsafe V1 (PROFIBUS) and V2 (PROFIBUS, PROFINET) protocols. The individual input modules can be arranged in any combination when configuring the fieldbus node. **To protect the module against impulse voltages (over-voltage protection acc. to IEC 61000-4-5), the 750-626 Filter Module or an external surge filter must be used for the 24 V supply voltage. Reference the product manual for further information.**

Description	Item No.	Pack. Unit
4FDI/4FRO 48VAC/60VDC/6A PROFIsafe V2 iPar	750-669/000-003	1
<b>Accessories</b>		
<b>Miniature WSB Quick marking system</b>		
 plain	248-501	50
with marking	see Full Line Catalog Automation Technology	
<b>Standards and Approvals</b>		
Safety standards	IEC 61508-1 ... 7; EN ISO 13849-1; EN 62061	
Conformity marking	CE	
Korea Certification		
ATEX Directive 2014/34/EU	⊗ TÜV 14 ATEX 148929 X	
EU EMC Directive 2014/30/EU	EN 60079-0, -7, -15	
EMC immunity of interference	II 3 G Ex ec nC IIC T4 Gc	
EMC emission of interference	EN 61000-6-2; EN 61131-2; EN 61326-3-1; EN 61000-6-7	
	EN 61000-6-4; EN 61131-2	
 E175199 Ordinary Locations	UL 61010-1; UL 61010-2:201	
 UL E198726 Hazardous Locations	UL 121201	
	Class I, Div2 ABCD T4	
IECEx TUN 14.0035 X	IEC 60079-0, -7, -15	
	Ex ec nC IIC T4 Gc	

Technical Data	
<b>Inputs:</b>	
Sensor inputs	I1 ... I4; clock sensitive to T1 ... T2 Type 1 acc. to IEC 61131
Input current (typ.)	2.2 mA
Input frequency (max.)	50 Hz
<b>Outputs</b>	
Outputs	Relay outputs: RO1 ... RO4; Isolation voltage: 48 VAC, 60 VDC
Load switching voltage range	5 V ... 60 V DC (SELV/PELV); 5 V ... 48 V AC
Output current (per channel)	O1 ... O4: 6 A; Switching current range: 3 mA ... 6 A (compatible with the WAGO 75x-66x/ 000-003 PROFIsafe Modules)
Total output current	24 A
Switching delay	< 50 ms
<b>General specifications:</b>	
Achievable safety classes	SIL 3; Cat. 4, PL e
Voltage supply	5 V system voltage via internal bus 24 V via Push-in CAGE CLAMP®
System and sensor supply voltage	24 V DC (-25 % ... +30 %)
Current consumption typ. (internal)	145 mA
Current consumption typ. (field side)	50 mA + input currents I1 ... I4
Wire connection	Push-in CAGE CLAMP®
Cross sections	0.5 mm <sup>2</sup> ... 1.5 mm <sup>2</sup> / AWG 20 ... 14
Strip length	8 ... 9 mm / 0.31 ... 0.35 in
Width	48 mm



**SCATTERGOOD  
& JOHNSON LTD**  
ELECTRICAL ENGINEERING & FLUID CONTROL DISTRIBUTORS

Est.1899

At Scattergood & Johnson Ltd, we pride ourselves on being a technical distributor to specialist industries.

Working with a range of quality product manufacturers across a number of specialist markets, we are not your average 'box shifter' - we are your technical and supply chain partner.

We fully support every product we sell - for free! Our internal team and external sales engineers can answer any product or application question, no matter the complexity.

Backing up this technical ability is a range of 50,000+ products available from stock for nationwide next day delivery (same day if required!), or you can collect what you need from any of our trade counters around the UK.

Select your specialist interest below to learn more about how we can help.



Online, In Branch and On the Road - Scattergood & Johnson Ltd, there when you need us.

**[www.scatts.co.uk](http://www.scatts.co.uk)**