

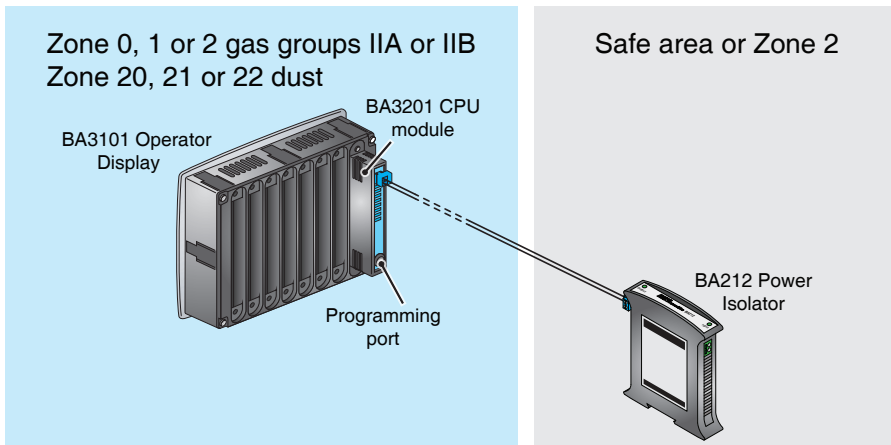
The **BA3201 Pageant BA3201 CPU module** contains the BA3101 Operator Panel's central processing unit (CPU) and associated memory. CODESYS® runtime software is resident including an IEC61131-3 compliant PLC and visualization engine enabling screens designed in the CODESYS integrated development environment (IDE) to be displayed on the BA3101 Operator Panel.

A **programming port** on the rear of the module enables CODESYS application code to be downloaded to the CPU module in a safe area. Connection to a PC USB is made via a BEKA BA3902 Programming Cable. Alternatively, the SD card may be removed from the CPU module and new application code entered in the safe area.

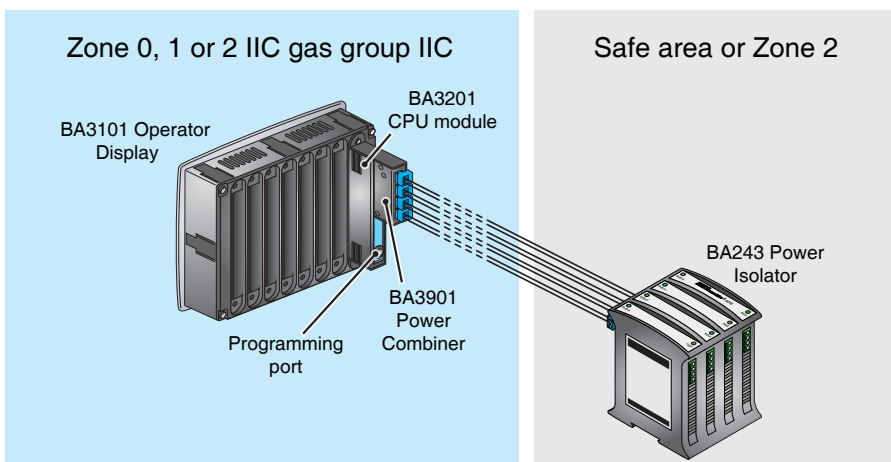
If **external communication is required** an alternative CPU module, such as the BA3202 with Modbus communication, should be selected. These modules incorporate an isolated RS485-IS port and may be directly connected to other equipment in the hazardous area, or to safe area equipment via a proprietary RS485-IS isolator.

The **module also distributes power** to the Operator Panel and its plug-in input and output modules. Every BA3101 Operator Panel must therefore be fitted with a plug-in CPU module.

The **BA3101 Operator Panel** is powered via a BA3201 CPU module from a BEKA power isolator located in a safe area or in Zone 2. For installations in gas groups IIA and IIB and in dust atmospheres, a BA212 Power Isolator is required. For most applications in group IIC gases a four channel BA243 Power Isolator should be used. The four channels are remotely combined at the CPU module by a BA3901 Power Combiner which fits on to the rear of the CPU module allowing relatively long cables to be used.



For application in gas groups IIA and IIB and in dust atmospheres



For applications in gas group IIC

# BA3201 Pageant CPU module

*Contains central processing unit, memory and power distribution*

- ◆ **CODESYS® runtime software.**
- ◆ **IEC 61131-3 compliant PLC.**
- ◆ **Module plugs into a Pageant BA3101 Ex ia intrinsically safe Operator Panel.**
- ◆ **IECEX, ATEX & UKCA Ex ia certification.**
- ◆ **3 year guarantee**

[www.beka.co.uk/ba3201](http://www.beka.co.uk/ba3201)



# BEKA associates

BEKA associates Ltd. Old Charlton Rd.  
Hitchin, Hertfordshire, SG5 2DA, U.K.  
Tel. (01462) 438301 e-mail [sales@beka.co.uk](mailto:sales@beka.co.uk)  
website: [www.beka.co.uk](http://www.beka.co.uk)

## SPECIFICATION

### Power supply

Voltage 7.5 to 12V from a BEKA BA212 Power Isolator or from a BA243 Power Isolator with a BA3901 Power Combiner.

Current Depends upon mix of plug-in modules fitted to the BA3101 Operator Panel.

Processor Single Core ARM Cortex - A7 528 MHz.

### Intrinsic safety

#### International IECEx

Code Ex ia IIC T4 Ga  
Ex ia IIIC T120°C Da  
-40°C ≤ Ta ≤ +65°C

#### Safety parameters

Power supply Terminals 1 & 2

Ui 12.4V dc  
Ii 2.66A  
Pi 5.44W  
Li 2.68A  
Ci 5.44W

Cert. No. IECEx CML 20.0152X

#### Europe ATEX and UK UKCA

Code Group II Category 1GD  
Ex ia IIC T4 Ga  
Ex ia IIIC T120°C Da  
-40°C ≤ Ta ≤ +65°C

Safety parameters as IECEx certificate

Cert. Nos. CML 20ATEX2254X  
CML 21UKEX2005X

### Environmental

Operating temp -40 to +65°C  
Storage temp -40 to +85°C  
Enclosure IP20  
Material Noryl UL94V-1 flame class rating  
Humidity To 95% at 40°C non-condensing  
EMC Complies with UK & European EMC Directives.

### Mechanical

Terminals Blue with screw clamp for 0.5 to 1.5mm<sup>2</sup> cable.  
Weight 0.15kg

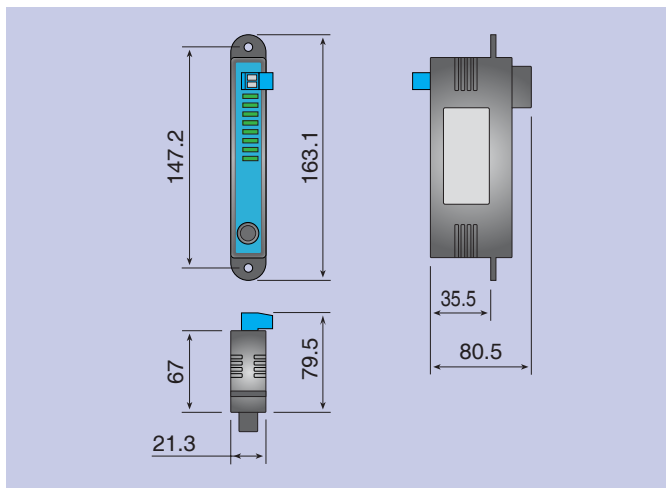
**Reliability is ensured** by component conformal coating, protection from incorrect connection and radio frequency interference. The module has been subjected to extensive vibration and thermal testing and is supported by a three year guarantee.

### Accessories

**BA3901 Power Combiner** For applications in a group IIC gas, remotely combines the output of a four channel BA243 Power Isolator allowing long interconnecting cables to be used.

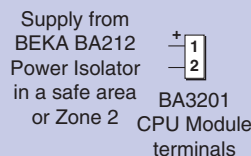
**BA3902 USB Programming Cable.** Connects CPU module to a PC USB port allowing CODESYS application codes to be downloaded.  
**Only usable in a safe area**

## DIMENSIONS (mm)

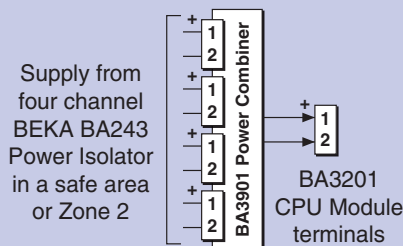


## TERMINAL CONNECTIONS

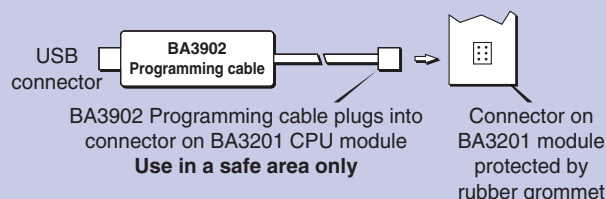
*For applications in IIA or IIB gases or in dust atmospheres*



*For applications in IIC gases BA3901 Power Combiner fitted to a BA3201 CPU Module*



*For downloading CODESYS application code in a safe area*



## HOW TO ORDER

	Please specify
Model number	BA3201
Accessories	Please specify if required
Power Combiner for application in a IIC gas group.	BA3901
Programming cable	BA3902



# SCATTERGOOD & JOHNSON LTD

ELECTRICAL ENGINEERING & FLUID CONTROL DISTRIBUTORS

Est.1899

At Scattergood & Johnson Ltd, we pride ourselves on being a technical distributor to specialist industries.

Working with a range of quality product manufacturers across a number of specialist markets, we are not your average 'box shifter' - we are your technical and supply chain partner.

We fully support every product we sell - for free! Our internal team and external sales engineers can answer any product or application question, no matter the complexity.

Backing up this technical ability is a range of 50,000+ products available from stock for nationwide next day delivery (same day if required!), or you can collect what you need from any of our trade counters around the UK.

Select your specialist interest below to learn more about how we can help.



Online, In Branch and On the Road - Scattergood & Johnson Ltd, there when you need us.

# [www.scatts.co.uk](http://www.scatts.co.uk)