

The BA3202 Pageant CPU module contains the BA3101 Operator Panel's central processing unit (CPU) and associated memory. CODESYS® runtime software is resident including an IEC61131-3 compliant PLC and visualization engine enabling screens designed in the CODESYS integrated development environment (IDE) to be displayed on the BA3101 Operator Panel.

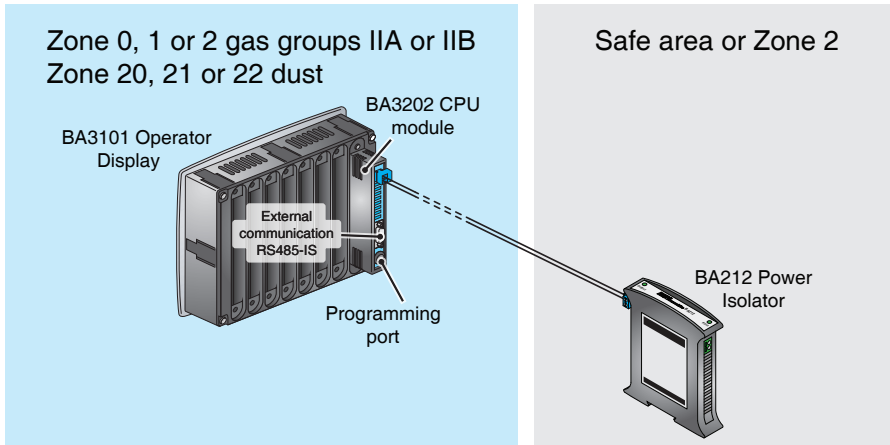
An isolated RS485-IS port may be directly connected to other equipment in the hazardous area, or to safe area equipment via a proprietary RS485-IS isolator. Communication with other equipment uses Modbus protocol and allows the Pageant BA3101 Operator Panel to function as a master or as a slave.

If external communication is not required the alternative BA3201 CPU module should be selected.

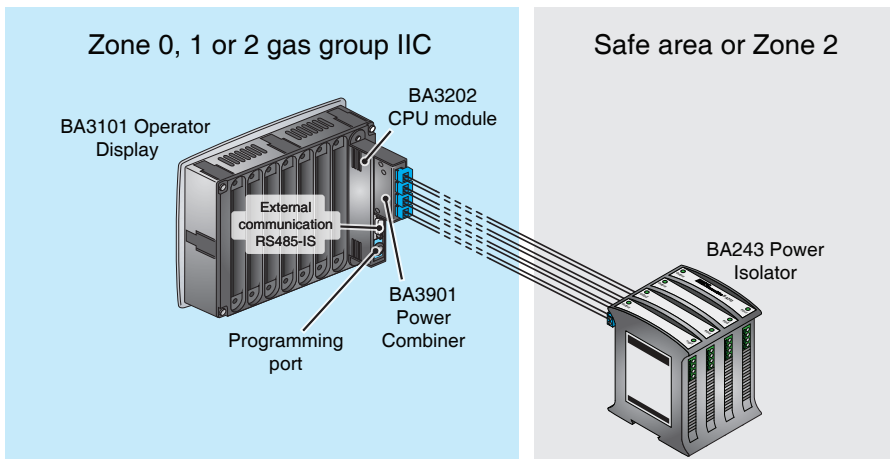
A programming port at the rear of the module enables CODESYS application code to be downloaded to the CPU module in a safe area. Connection to a PC USB is made via a BEKA BA3902 Pageant Programming Cable. Alternatively, the SD card may be removed from the CPU module and new application code entered in the safe area.

The CPU module also distributes power to the Operator Panel and its plug-in input and output modules. Every BA3101 Operator Panel must therefore be fitted with a plug-in CPU module.

The BA3101 Operator Panel is powered via a BA3202 CPU module from a BEKA power isolator located in a safe area or in Zone 2. For installations in gas groups IIA and IIB and in dust atmospheres, a BA212 isolator is required. For most applications in group IIC gases a four channel BA243 Power Isolator should be used. The four channels are remotely combined at the CPU module by a BA3901 Power Combiner which fits onto the rear of the CPU module allowing relatively long cables to be used.



For applications in gas groups IIA and IIB and in dust atmospheres



For applications in gas group IIC

BA3202

Pageant CPU module with Modbus RTU communication

Contains central processing unit, memory and power distribution

- ◆ CODESYS® runtime software.
- ◆ IEC61131-3 compliant PLC.
- ◆ Isolated RS485-IS communication port.
- ◆ Modbus RTU
- ◆ Module plugs into a Pageant BA3101 Ex ia intrinsically safe Operator Panel.
- ◆ IECEx, ATEX & UKCA Ex ia certification
- ◆ 3 year guarantee

www.beka.co.uk/ba3202



BEKA

associates

BEKA associates Ltd. Old Charlton Rd.
Hitchin, Hertfordshire, SG5 2DA, U.K.
Tel. (01462) 438301 e-mail sales@beka.co.uk
website: www.beka.co.uk

SPECIFICATION

Power supply

Voltage 7.5 to 12V from a BEKA BA212 Power Isolator or from a BA243 Power Isolator with a BA3901 Power Combiner.

Current Depends upon mix of plug-in modules fitted to the BA3101 Operator Panel.

Processor Single Core ARM Cortex - A7 528 MHz.

Communication

Port Isolated RS485-IS
Protocol Modbus RTU master or slave

Intrinsic safety

International IECEx

Code Ex ia IIC T4 Ga
Ex ia IIIC T120°C Da
-40°C ≤ Ta ≤ +65°C

Safety parameters

Power Supply	Terminals 1 & 2
Ui	12.4V dc
Ii	2.68A
Pi	5.44W
Li	0
Ci	0

Communication port SK100

Complies with requirements specified by Profibus RS485-IS User and Installation Guide 1.1

Ui	4.2V
Uo	3.8V
Io	132mA
Po	126mW
Li	0
Ci	0

Cert. No. IECEx CML 20.0152X

Europe ATEX and UK UKCA

Code Group II Category 1GD
Ex ia IIC T4 Ga
Ex ia IIIC T120°C Da
-40°C ≤ Ta ≤ +65°C

Safety parameters as IECEx certificate

Cert. Nos. CML 20ATEX2254X
CML 21UKEX2005X

Environmental

Operating temp -40 to +65°C
Storage temp -40 to +85°C
Enclosure IP20
Material Noryl UL94V-1 flame class rating
Humidity To 95% at 40°C non-condensing
EMC Complies with UK & European EMC Directive.

Mechanical

Terminals
Power Blue with screw clamp for 0.5 to 1.5mm² cable.
RS485-IS 9 way 'D' female connector
Weight 0.2kg

Reliability is ensured by component conformal coating, protection from incorrect connection and radio frequency interference. The module has been subjected to extensive vibration and thermal testing and is supported by a three year guarantee.

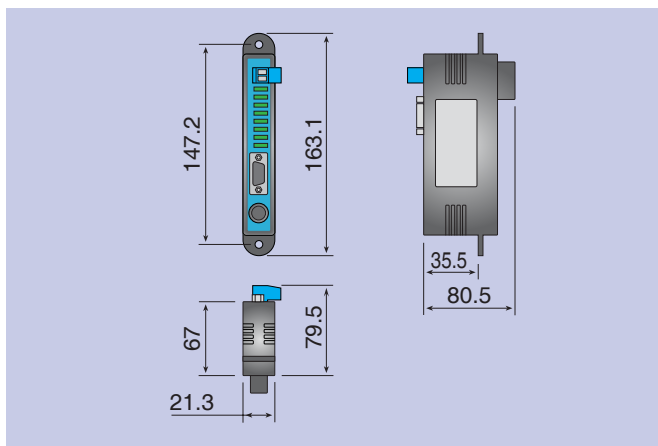
Accessories

BA3901 Power Combiner. For applications in a group IIC gas, remotely combines the output of a four channel BA243 Power Isolator allowing long interconnecting cables to be used.

BA3902 USB Programming Cable. Connects CPU module to a PC USB port allowing CODESYS application codes to be downloaded.

Only usable in a safe area

DIMENSIONS (mm)



TERMINAL CONNECTIONS

For applications in IIA or IIB gases or in dust atmospheres

Supply from BEKA BA212 Power Isolator in a safe area or Zone 2
BA3202 CPU Module terminals

For applications in IIC gases BA3901 Power Combiner fitted to a BA3202 CPU Module

Supply from four channel BEKA BA243 Power Isolator in a safe area or Zone 2
BA3901 Power Combiner
BA3202 CPU Module terminals

Isolated RS485-IS external communications port



BA3903 Sub D9 connector has output terminals which enable RS485-IS cable to connect to and looped through BA3902

For downloading CODESYS application code in a safe area

USB connector
BA3902 Programming cable
BA3902 Programming cable plugs into connector on BA3202 CPU module
Use in a safe area only
Connector on BA3202 module protected by rubber grommet

HOW TO ORDER

	Please specify
Model number	BA3202
Accessories	Please specify if required
Power Combiner for applications in a IIC gas group	BA3901
Programming cable	BA3902
RS485-IS Sub D9 connector For connecting to RS485-IS bus	BA3903



**SCATTERGOOD
& JOHNSON LTD**
ELECTRICAL ENGINEERING & FLUID CONTROL DISTRIBUTORS

Est.1899

At Scattergood & Johnson Ltd, we pride ourselves on being a technical distributor to specialist industries.

Working with a range of quality product manufacturers across a number of specialist markets, we are not your average 'box shifter' - we are your technical and supply chain partner.

We fully support every product we sell - for free! Our internal team and external sales engineers can answer any product or application question, no matter the complexity.

Backing up this technical ability is a range of 50,000+ products available from stock for nationwide next day delivery (same day if required!), or you can collect what you need from any of our trade counters around the UK.

Select your specialist interest below to learn more about how we can help.



Online, In Branch and On the Road - Scattergood & Johnson Ltd, there when you need us.

www.scatts.co.uk