

Separate apparatus certification for the module allows it to be safely plugged into any one of the seven slots on a Pageant BA3101 Operator Display without the need for additional certification or approval. If requirements change, a BA3601 module may be fitted on-site to an Operator Panel which has already been installed and commissioned.

This output module enables up to four hazardous area loads such as a solenoid valve, sounder, beacon or panel lamp to be controlled by a Pageant Operator Panel PLC output.

Each contact output is galvanically isolated from the other three outputs and from the Pageant operator panel's power supply allowing certification as a separate Ex ia circuit. The output safety parameters of each contact output are below those specified for simple apparatus and may be ignored when assessing the safety of most loops. This, together with the switch's low contact resistance and voltage drop, enables the switch to control almost any intrinsically safe load in any gas or dust hazardous Zone.

The Pageant BA3601 module has four isolated solid state contact outputs, each certified as a separate intrinsically safe circuit. The module is intended for switching intrinsically safe loads located in any hazardous area, or low power safe area loads via a Zener barrier or a galvanic isolator.

Hazardous area loads, such as sounders and beacons, should be powered from a compatible galvanic isolator or Zener barrier. Terminals 2 and 4 of each BA3601 input are internally linked for joining the return wire as shown below.

BA3601

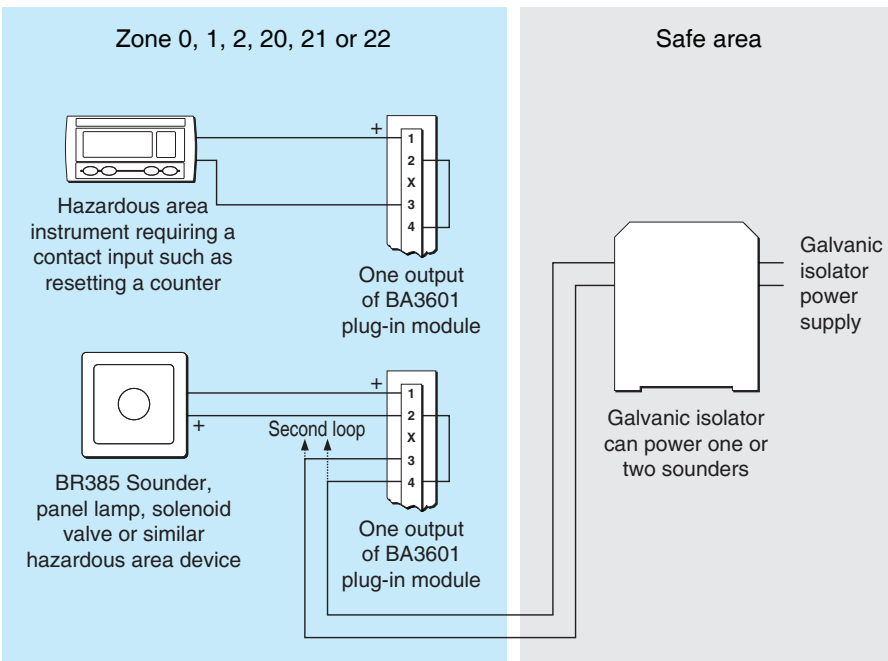
Pageant Digital Output Module

4 x Contact

Each intrinsically safe output can switch a load in any gas or dust hazardous area

- ◆ **Four isolated solid state contact outputs.**
- ◆ **Module plugs into a Pageant BA3101 Ex ia intrinsically safe Operator Display.**
- ◆ **Each Ex ia output is a separate intrinsically safe circuit.**
- ◆ **IECEX, ATEX & UKCA Ex ia certification.**
- ◆ **3 year guarantee**

www.beka.co.uk/ba3601



Typical applications



BEKA

associates

BEKA associates Ltd. Old Charlton Rd.
Hitchin, Hertfordshire, SG5 2DA, U.K.
Tel. (01462)438301 e-mail sales@beka.co.uk
website: www.beka.co.uk

SPECIFICATION

Power supply	From Pageant Operator Panel via CPU module
Module consumption	4% of available power
Output	
Type	Isolated unipolar solid state switch
Ron	5Ω + 0.7V max
Roff	1MΩ min
Speed	Each output polled 10 times per second by the BA3101 Operator Panel.

Intrinsic safety

International IECEx

Code	Ex ia IIC T4 Ga Ex ia IIIC T135°C Da -40°C ≤ Ta ≤ +65°C
------	---

Safety parameters for each output channel

Ui	30V
Ii	200mA
Pi	0.66W

Uo	1.38V *
Io	0*
Po	0*

Ci	0
Li	4μH

Cert. No. IECEx 21.0124X

* Output parameters are below the *simple apparatus* threshold and may be ignored for some applications.

Europe ATEX and UK UKCA

Code	Group II Category 1GD Ex ia IIC T4 Ga Ex ia IIIC T135°C Da -40°C ≤ Ta ≤ +65°C
------	--

Safety parameters for each input as IECEx

Cert. Nos.	CML 21ATEX21097X CML 21UKEX21098X
------------	--------------------------------------

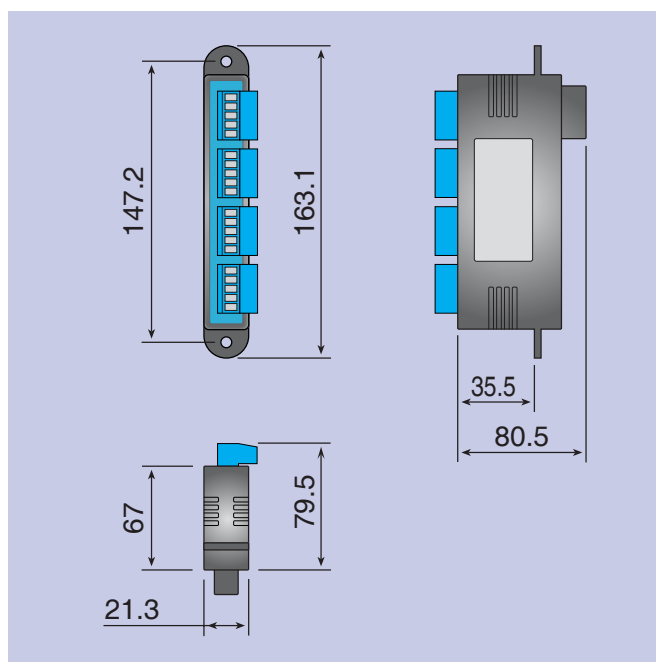
Environmental

Operating temp	-40 to +65°C
Storage temp	-40 to +85°C
Enclosure	IP20
Material	Noryl UL94V-1 flame class rating
Humidity	To 95% at 40°C non- condensing
EMC	Complies with UK & European Directives

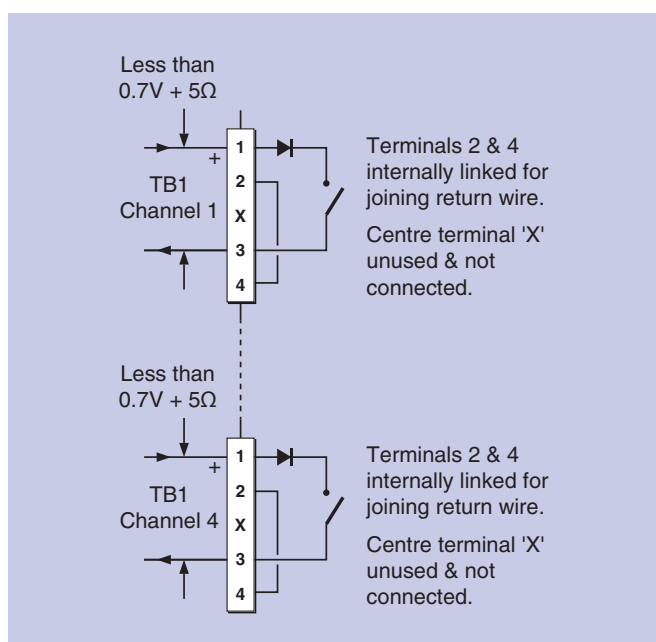
Mechanical

Terminals	Screw clamp for 0.5 to 1.5mm ² cable with blue removable terminal block for each channel.
Weight	0.15kg

DIMENSIONS (mm)



TERMINAL CONNECTIONS



Reliability is ensured by component conformal coating, protection from incorrect connection and radio frequency interference. The module has been subjected to extensive vibration and thermal testing and is supported by a three year guarantee.

HOW TO ORDER

	Please specify
Model number	BA3601



**SCATTERGOOD
& JOHNSON LTD**
ELECTRICAL ENGINEERING & FLUID CONTROL DISTRIBUTORS

Est.1899

At Scattergood & Johnson Ltd, we pride ourselves on being a technical distributor to specialist industries.

Working with a range of quality product manufacturers across a number of specialist markets, we are not your average 'box shifter' - we are your technical and supply chain partner.

We fully support every product we sell - for free! Our internal team and external sales engineers can answer any product or application question, no matter the complexity.

Backing up this technical ability is a range of 50,000+ products available from stock for nationwide next day delivery (same day if required!), or you can collect what you need from any of our trade counters around the UK.

Select your specialist interest below to learn more about how we can help.



Online, In Branch and On the Road - Scattergood & Johnson Ltd, there when you need us.

www.scatts.co.uk