

**Each input** has a separate hardware counter which is interrogated up to ten times per second by the operator panel's CODESYS® PLC. This can calculate the total pulse count and pulse rate and apply scaling to convert the input pulses into meaningful engineering units for display, use within the PLC or for retransmission.

**Outputs from flowmeters and pumps** located in Zone 0, 1, 2, 20, 21 or 22 are one of the main applications for this module. Each of the two module inputs may be individually configured to function with almost any type of certified pulse output sensor, and the low intrinsic safety output parameters of each input allow simple direct connection to sensors. Although each input is a separate intrinsically safe circuit, each input is not individually isolated and therefore the pulse sensor and associated wiring should have 500V isolation from other circuits and from earth.

The Pageant BA3701 module is a counter with two identical channels each of which can be separately configured to accept pulses from a 2-wire proximity detector, or a sensor with an open collector, switch contact or a voltage pulse output. Each channel is certified as a separate intrinsically safe circuit and is intended for use with isolated sensors. Separate apparatus certification for the module allows it to be safely plugged into any one of the seven slots on a Pageant BA3101 Operator Display without the need for additional certification or approval.

An isolated open collector pulse output from each channel can synchronously duplicate input pulses received at either input for retransmission applications. Alternatively, pulses representing either input in engineering units after scaling by the PLC, or the sum of both inputs can be retransmitted. The output pulse width can be defined and an additional divisor applied. The intrinsic safety output parameters of both the retransmitted outputs are zero allowing simple connection to other hazardous area instruments and to safe area instruments via a certified isolator.

# BA3701

## Pageant Digital Input Module

### 2 x Totaliser or Counter

*Each intrinsically safe input can accept a proximity detector, switch contact, open collector or voltage pulse input.*

- ◆ Two counter channels each configurable for NAMUR proximity detector, open collector, switch contact or voltage pulse input.
- ◆ Isolated synchronous pulse output from each channel for retransmission.
- ◆ Module plugs into a Pageant BA3101 intrinsically safe Operator Display.
- ◆ IECEx, ATEX & UKCA Ex ia IIC certification.
- ◆ 3 year guarantee

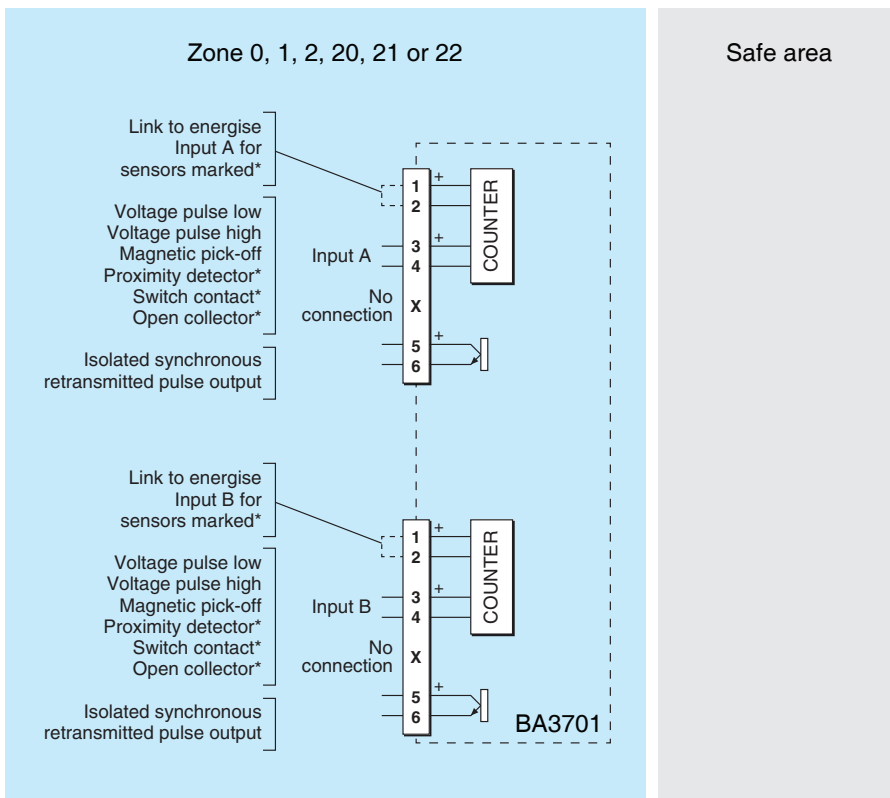
[www.beka.co.uk/ba3701](http://www.beka.co.uk/ba3701)



# BEKA

## associates

BEKA associates Ltd. Old Charlton Rd.  
Hitchin, Hertfordshire, SG5 2DA, U.K.  
Tel. (01462) 438301 e-mail [sales@beka.co.uk](mailto:sales@beka.co.uk)  
website: [www.beka.co.uk](http://www.beka.co.uk)



## SPECIFICATION

**Power supply** From Pageant Operator Panel via CPU module

Module consumption 24% of available power

**Input** for each input channel

Switching threshold	Lower	Upper
Proximity detector 2-wire NAMUR.	1.2mA	2.1mA
Switch Contact	100Ω	1kΩ
Open collector	2kΩ	10kΩ
Voltage pulse low	1.0V	3.0V
Voltage pulse high	3.0V	10.0V
Magnetic pick-off	0mV	40mV peak

**Frequency**

Switch contact	150Hz max	] Depends upon pulse width & debounce setting.
Other inputs	100kHz max	
All inputs	0.01Hz min	

**Pulse output** for each input channel

Source Duplicate Input A; duplicate input B; scaled input A or B, or scaled (input A + input B).

Additional divisor Scaled outputs can be further divided by 1, 10, 100, 1000 or 10000.

Pulse width 0.1; 0.5; 1; 2.5; 5; 10; 25; 50; 100; 250 or 500ms.

**Electrical characteristic**

Ron	51Ω + 3V max
Roff	1MΩ min
Imax	10mA

Isolated open collector output, certified as a separate intrinsically safe circuit with zero output safety parameters.

**Intrinsic safety**

**International IECEx**

Code	Ex ia IIC T4 Ga Ex ia IIIC T226°C Da -40°C ≤ Ta ≤ +65°C
------	---------------------------------------------------------------

Safety parameters for each pulse input channel configured for voltage input.

Ui	28V dc
Ii	200mA
Pi	0.84W

Uo	1.1V
Io	0.5mA
Po	0.2mW
Ci	1.1nF
Li	4μH

Safety parameters for each pulse input channel configured for proximator, switch or open collector input.

Ui	0
----	---

Uo	8.4V
Io	7.4mA
Po	16mW
Ci	1.1nF
Li	4μH

Cert. No. IECEx 21.0141X

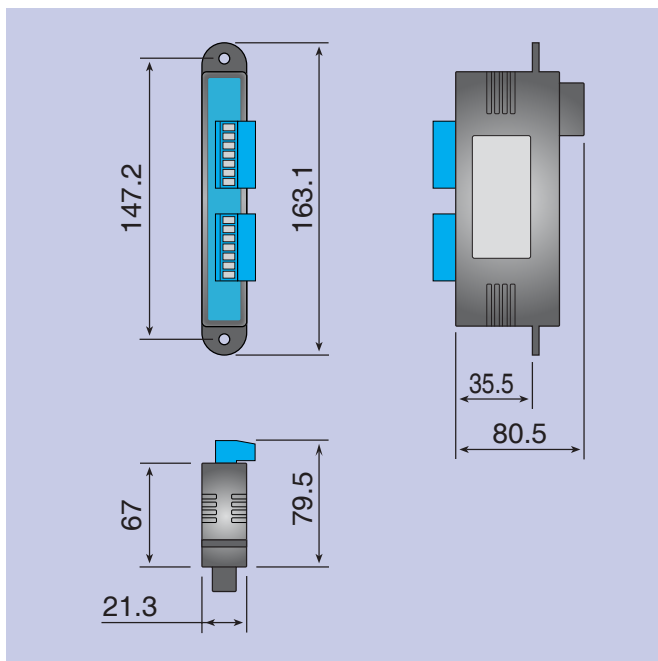
**Europe ATEX and UK UKCA**

Code	Group II Category 1GD Ex ia IIC T4 Ga Ex ia IIIC T135°C Da -40°C ≤ Ta ≤ +65°C
------	----------------------------------------------------------------------------------------

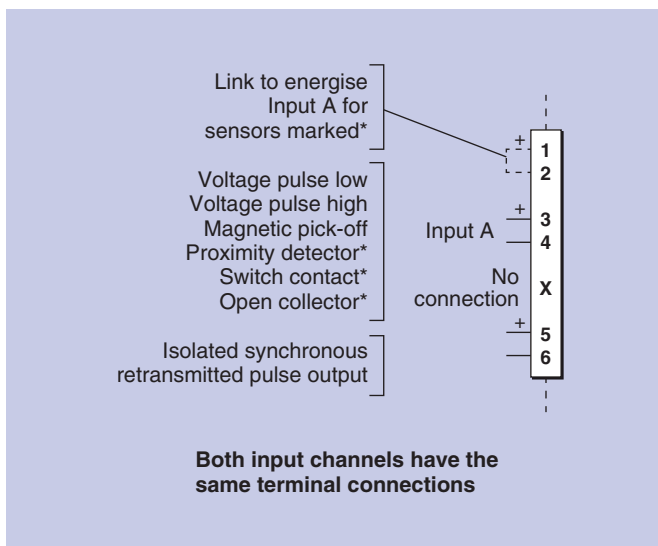
Safety parameters as IECEx

Cert. Nos. CML 21ATEX2141X  
CML 21UKEX2142X

## DIMENSIONS (mm)



## TERMINAL CONNECTIONS



**Environmental**

Operating temp	-40 to +65°C
Storage temp	-40 to +85°C
Enclosure	IP20
Material	Noryl UL94V-1 flame class rating
Humidity	to 95% at 40°C non-condensing
EMC	Complies with UK & European Directives

**Mechanical**

Terminals	Screw clamp for 0.5 to 1.5mm <sup>2</sup> cable with blue removable terminal block for each channel.
Weight	0.2kg

**Reliability is ensured** by component conformal coating, protection from incorrect connection and radio frequency interference. The module has been subjected to extensive vibration and thermal testing and is supported by a three year guarantee.

## HOW TO ORDER

Model number **Please specify**  
BA3701



**SCATTERGOOD  
& JOHNSON LTD**  
ELECTRICAL ENGINEERING & FLUID CONTROL DISTRIBUTORS

Est.1899

At Scattergood & Johnson Ltd, we pride ourselves on being a technical distributor to specialist industries.

Working with a range of quality product manufacturers across a number of specialist markets, we are not your average 'box shifter' - we are your technical and supply chain partner.

We fully support every product we sell - for free! Our internal team and external sales engineers can answer any product or application question, no matter the complexity.

Backing up this technical ability is a range of 50,000+ products available from stock for nationwide next day delivery (same day if required!), or you can collect what you need from any of our trade counters around the UK.

Select your specialist interest below to learn more about how we can help.



Online, In Branch and On the Road - Scattergood & Johnson Ltd, there when you need us.

**[www.scatts.co.uk](http://www.scatts.co.uk)**