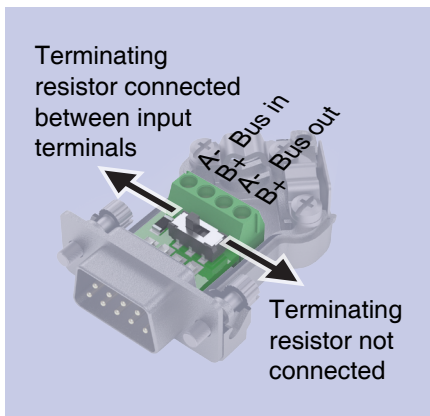




**RS485-IS** is a 2-wire intrinsically safe communications standard using a linear bus structure where field wiring may be looped through up to 32 field devices on a single segment.

The **BA3903 Pageant RS485-IS Sub D9 Connector** mates with the standard female connector on an RS485-IS field device. The connector contains duplicate input and output screw terminals enabling twisted pair field wiring to be easily looped through the field device.

**Both ends of an RS485-IS segment** require an external terminating resistor to prevent signal reflections. If the first and last field devices do not include a terminator, the BA3903 connector contains a 200Ω terminating resistor which may be switched into circuit between the input terminals.



## SPECIFICATION

### Environmental

Operating temp -40 to +65°C  
Storage temp -40 to +85°C

Material Nickel plated zinc

Humidity to 95% at 40°C non-condensing

EMC Complies with UK & European EMC Directives. Electromagnetically benign

### Mechanical

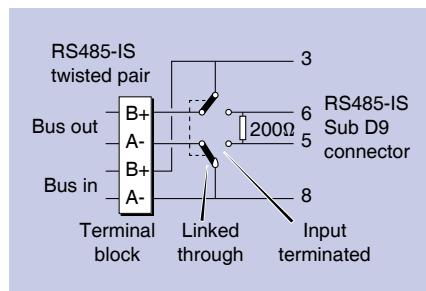
#### Connectors

Field wiring 4-way screw clamp connector for 0.5 to 1mm<sup>2</sup> wire.

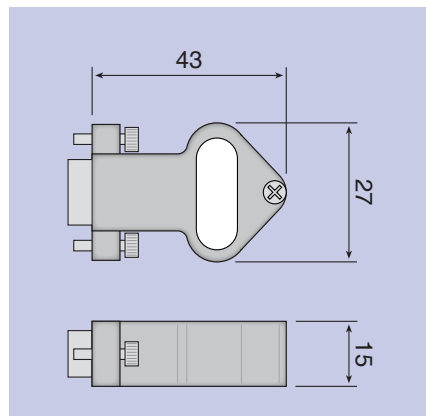
Field device 9 way sub D9 male connector.

Weight 0.5kg

## TERMINAL CONNECTIONS



## DIMENSIONS (mm)



## HOW TO ORDER

Model number Please specify BA3903

# BA3903

## Pageant RS485-IS Sub D9 connector

*Connects RS485-IS field wiring to instruments.*

- ◆ Duplicate terminals enables RS485-IS cable to be connected to, and looped through field devices.
- ◆ Contains selectable 200Ω end of line terminating resistor.
- ◆ Complies with RS485-IS Users Installation Guide.
- ◆ 3 year guarantee

[www.beka.co.uk/ba3903](http://www.beka.co.uk/ba3903)

# BEKA

## associates

BEKA associates Ltd. Old Charlton Rd.  
Hitchin, Hertfordshire, SG5 2DA, U.K.  
Tel. (01462) 438301 e-mail [sales@beka.co.uk](mailto:sales@beka.co.uk)  
website: [www.beka.co.uk](http://www.beka.co.uk)



# SCATTERGOOD & JOHNSON LTD

ELECTRICAL ENGINEERING & FLUID CONTROL DISTRIBUTORS

Est.1899

At Scattergood & Johnson Ltd, we pride ourselves on being a technical distributor to specialist industries.

Working with a range of quality product manufacturers across a number of specialist markets, we are not your average 'box shifter' - we are your technical and supply chain partner.

We fully support every product we sell - for free! Our internal team and external sales engineers can answer any product or application question, no matter the complexity.

Backing up this technical ability is a range of 50,000+ products available from stock for nationwide next day delivery (same day if required!), or you can collect what you need from any of our trade counters around the UK.

Select your specialist interest below to learn more about how we can help.



Online, In Branch and On the Road - Scattergood & Johnson Ltd, there when you need us.

# [www.scatts.co.uk](http://www.scatts.co.uk)