



Boxes

**e cor** AND **sd**  
MILD STEEL

## BOXES

### FEATURES

- 1 Wide range of dimensions: over 40 enclosures with plain door, 19 models with glazed door, enclosures with single plain door, double door with rod locking system and enclosure with single glazed door.
- 2 Mounting plate included.
- 3 Main accessories: plinth, internal door kit and modular chassis, wall-mounting brackets, door stop kit.
- 4 Optional accessories: micro perforated plates, louvered cable entry plates and pole mounting kit.
- 5 Terminal boxes in 5 different versions, with screwed cover, clear cover, for bus system, flanged, with hinged cover.
- 6 Rack enclosures from 3 to 21 units in 450 and 550 mm depths.




**INDUSTRY**  
**4.0**
**TECHNOLOGICAL INNOVATION IS AN ABSOLUTE MUST FOR THE PRODUCTION LINE 4.0**

In 2016, ETA Group purchased an abandoned industrial area, and redeveloped it in full compliance with the principles of sustainability, restructuring the building and the entire surrounding area. All this without taking any land away from our wonderful local territory, in the heart of the Lariano Triangle, just a few kilometres from beautiful Lake Como.

In addition to the production line and assembly area dedicated to the ENERPOWER solutions, the production unit in Albavilla (CO), Italy, which was fully completed in 2018, also houses the entire line dedicated to the E COR range, which has been fully integrated and customised for ETA, in keeping with the Industry 4.0 requirements.

A major investment, which stands out thanks to its extraordinary process flexibility and innovative technology. These are the cornerstones of the project, the final goal of which is to offer the customer the possibility of selecting a standard product or a customised product with specific dimensions defined down to the millimetre. The system is not protected by a simple laser barrier, but by the **Barrier of ETA's Knowledge**. It was inspired by Trajan's Column. Symbols representing our arts are depicted on the walls like an epigraph, a modern day endeavour for the future. Because inside there's more than just technology... there's people, knowledge, and the expertise of over 40 years of activity in the Enclosure manufacturing sector.

**Tell us about your requirements, and ETA will come up with a solution tailored to meet your needs.**

**WELDING SYSTEM**

MIG welding performed with specific programs for fast welding and weld puddle drop-through.

**LASER SYSTEM**

Fibre laser with autonomous raw material loading and unloading and processing cycle optimisation.

**MACHINERY FOR STUDS WELDING**

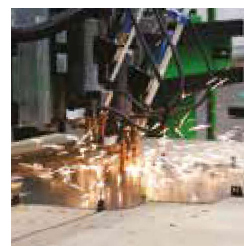
Semi-finished product handling robot.

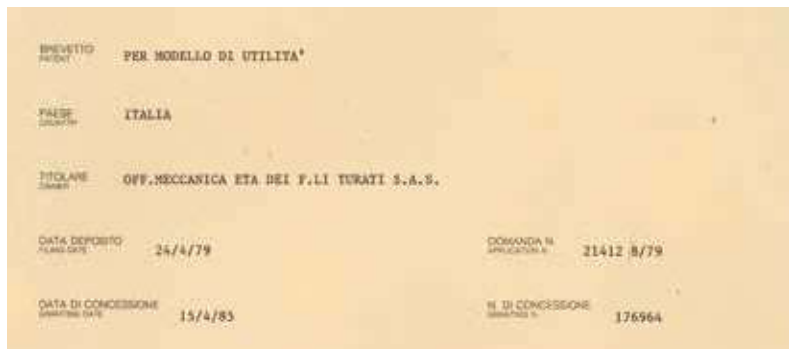
**BENDING SYSTEM**

4-station bending system.

**WELDING SYSTEM**

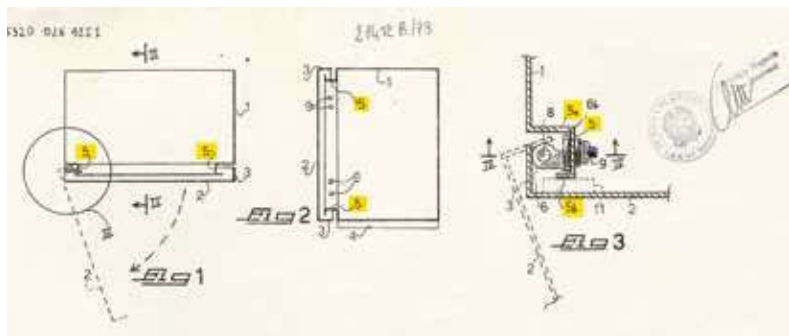
Laser welding carried out by two parallel components.





Technology is a set of tools, techniques, means and skills that allow us to put a design idea into practice and create a product with certain characteristics. Doing research means selecting the best of many ideas. Sometimes, the best idea is not the most recent, but was thought of some time ago.

**THAT'S WHY AN IDEA FROM 1979 COULD, 40 YEARS LATER, STILL BE THE BEST PERFORMING...**



The E COR range was originally patented by ETA in 1979, when the enclosure concept included a structured fold of the enclosure and a patented hinge system.

The enclosure has a structured fold with an 80° inclination for greater structural rigidity, which is particularly noticeable on large dimensions.



Boxes

Structured fold of the housing with an 80° inclination for greater rigidity of the fold angle and minimisation of any damage to the polyurethane seal.



Guaranteed higher IP protection (proven by in-house tests and certification bodies).



**SIDE-BY-SIDE MOUNTING  
WITH SIMULTANEOUS OPENING  
OF THE ADJACENT DOORS**



**INCREASED INTERIOR CAPACITY  
THANKS TO THE ADDITIONAL  
7 MM IN DEPTH**



**INNOVATIVE SHORT ARC  
WELDING TECHNOLOGY  
FOR STUD BOLTS**



**TRILOBULAR M5 MOUNTING SCREWS**

Boxes

## HOUSING



Functional system for installing interior accessories: universal brackets with simple fastening under the hinges.



Universal functional frame for internal door or modular chassis installation.



Wall mounting system with expansion nut and easy fastening from the outside the box.



Boxes



Wiring support, creation of an internal structure and depth adjustment of the accessories at 25 mm intervals thanks to the universal cross-pieces (with front fastening to the universal brackets).



Protective canopy compatible with pole mounting, easy to install thanks to the custom construction concept.

**MOUNTING PLATE**



Markings (removable with appropriate product) to facilitate wiring.  
 • Except for: 200x300, 250x300, W ≥ 1000 mm.



Boxes



Rapid Plate installation thanks to the slotted plate design and stud bolts with integrated spacers.

**LOCKING SYSTEM**



Locking system with quick installation, 1/4 turn and metal insert. Available in standard ocean blue or black.



**FRONT DOOR**



Reversible front door with welded reinforcement profiles. Transparent door supplied in tempered glass.



Specific construction concept and geometry for pressed steel hinges.



New design for 180° hinges painted in smooth RAL5020; possibility of installation without machining the door.

**CABLE ENTRY**



Enlarged opening and non funnel-shaped cable entry.



Lower total flange+screw protrusion than previous version.



Bordered flange, fitted with a polyurethane gasket for increased strength and protection.

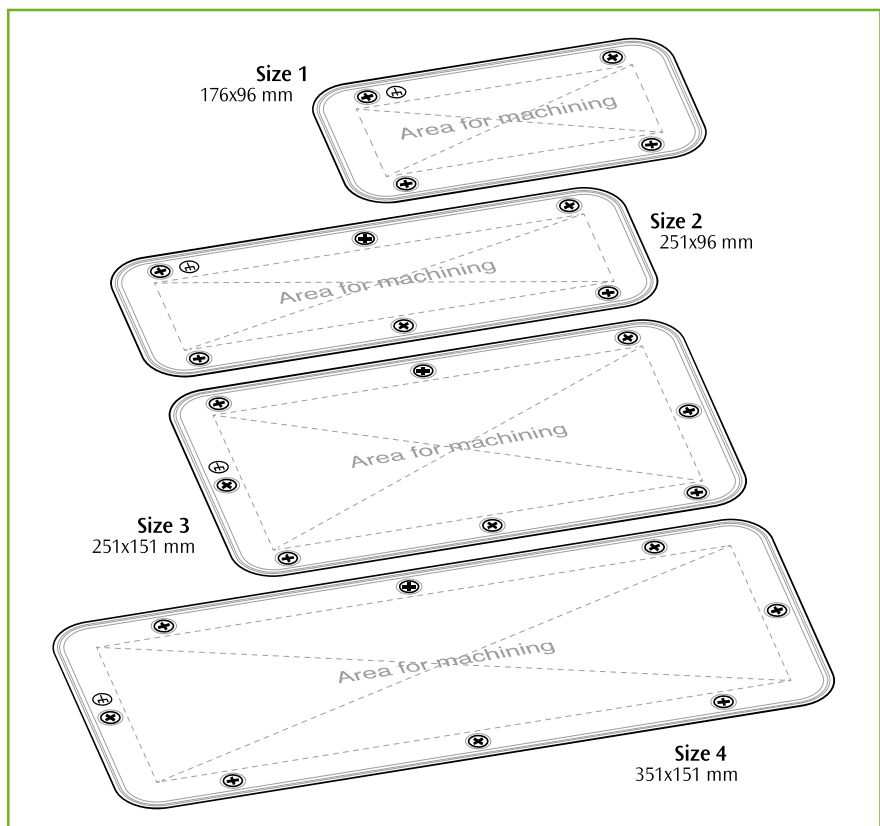


Conductive earth flange with single screw (identified with marking).



Engravings to the mounting plate to assist the user with mounting plate sizing information.

Boxes



4 flange sizes and double flange for L ≥ 600.

**CODING SYSTEM**

Enclosure with standard dimensions as per the catalogue

**EC030415.P.0001**

EC range of the E COR product

**03** width

**04** height

**15** depth

**.P** possible product version

**.0001**

possible progressive number identifying the special processing for the customer (generated by ETA upon order confirmation)

Enclosure with special dimensions not included in the catalogue (code generated by ETA)

**EC.00100.P.0001**

EC range of the E COR product

**.00100** progressive number identifying the special dimensions for the customer (generated by ETA upon order confirmation)

**.P** possible product version (generated by ETA upon order confirmation)

**.0001** progressive number identifying the special processing for the customer (generated by ETA upon order confirmation)



DIMENSIONS (MM)			ENCLOSURE			
B	A	P	SINGLE BLANK	DOUBLE BLANK	SINGLE TRANSPARENT	EMC VERSION
200	300	150	EC020315 ■			EC020315.E
250	300	150	EC025315 ■			
300	300	150	EC030315 ■			
300	300	200	EC030320 ■			
300	400	150	EC030415 ■			
300	400	200	EC030420 ■			
300	500	150	EC030515 ■			
300	500	200	EC030520 ■			
400	300	150	EC040315 ■			
400	300	200	EC040320 ■		EC040320.P	
400	400	200	EC040420 ■		EC040420.P	EC040420.E
400	400	250	EC040425 ■			
400	500	150	EC040515 ■			
400	500	200	EC040520 ■		EC040520.P	
400	500	250	EC040525 ■		EC040525.P	
400	600	200	EC040620 ■		EC040620.P	EC040620.E
400	600	250	EC040625 ■		EC040625.P	
400	600	300	EC040630 ■			
400	600	350	EC040635 ■			
400	600	400	EC040640 ■			
500	500	200	EC050520 ■			
500	500	250	EC050525 ■			
500	500	300	EC050530 ■			
500	600	150	EC050615 ■			
500	600	200	EC050620 ■			
500	600	250	EC050625 ■			
500	700	200	EC050720 ■		EC050720.P	
500	700	250	EC050725 ■		EC050725.P	
600	400	200	EC060420 ■		EC060420.P	
600	400	300	EC060430 ■			
600	500	200	EC060520 ■			
600	600	200	EC060620 ■		EC060620.P	
600	600	250	EC060625 ■			
600	600	300	EC060630 ■		EC060630.P	EC060630.E
600	600	350	EC060635 ■			
600	600	400	EC060640 ■			
600	800	200	EC060820 ■			
600	800	250	EC060825 ■		EC060825.P	
600	800	300	EC060830 ■		EC060830.P	
600	800	350	EC060835 ■			
600	800	400	EC060840 ■			
600	1000	250	EC061025 ■			
600	1000	300	EC061030 ■		EC061030.P	
600	1000	400	EC061040 ■			
600	1200	300	EC061230 ■		EC061230.P	
800	800	200	EC080820 ■			
800	800	250	EC080825 ■			
800	800	300	EC080830 ■		EC080830.P	
800	800	400	EC080840 ■			
800	1000	250	EC081025 ■			
800	1000	300	EC081030 ■		EC081030.P	
800	1000	400	EC081040 ■			
800	1200	300	EC081230 ■		EC081230.P	
800	1200	400	EC081240 ■			
800	600	300		EC080630 ■		
800	1400	300		EC081430 ■		
1000	800	200		EC100820 ■		
1000	800	300		EC100830 ■		
1000	1000	300		EC101030 ■		
1000	1200	300		EC101230 ■		
1000	1400	300		EC101430 ■		
1200	800	300		EC120830 ■		
1200	1200	300		EC121230 ■		

AVAILABLE: ■ IN STOCK  
■ UPON REQUEST

See page 266

**DOOR ACCESSORIES**

MODULAR CHASSIS	SOLID PANEL H = 200	INNER DOOR	LOCK SYSTEM FOR E COR TYPE	DOOR CROSS-PIECE (10 PCS)	DOOR STOPPER	19" RACK UPRIGHTS (2 PCS)
			Box / 1		ECWA0001	ECMR0300
			Box / 1		ECWA0001	ECMR0300
			Box / 1	ECTP0300	ECWA0001	ECMR0300
			Box / 1	ECTP0300	ECWA0001	ECMR0300
			Box / 1	ECTP0300	ECWA0001	ECMR0400
			Box / 1	ECTP0300	ECWA0001	ECMR0400
			Box / 1	ECTP0300	ECWA0001	ECMR0500
			Box / 1	ECTP0300	ECWA0001	ECMR0500
ECMI040030	ECAV040015		Box / 1	ECTP0400	ECWA0001	ECMR0300
ECMI040030	ECAV040015		Box / 1	ECTP0400	ECWA0001	ECMR0300
ECMI040040	ECAV040015		Box / 1	ECTP0400	ECWA0001	ECMR0400
ECMI040040	ECAV040015		Box / 1	ECTP0400	ECWA0001	ECMR0400
ECMI040050	ECAV040015		Box / 1	ECTP0400	ECWA0001	ECMR0500
ECMI040050	ECAV040015	ECPI040050	Box / 1	ECTP0400	ECWA0001	ECMR0500
ECMI040050	ECAV040015	ECPI040050	Box / 1	ECTP0400	ECWA0001	ECMR0500
ECMI040060	ECAV040015	ECPI040060	Box / 2	ECTP0400	ECWA0001	ECMR0600
ECMI040060	ECAV040015	ECPI040060	Box / 2	ECTP0400	ECWA0001	ECMR0600
ECMI040060	ECAV040015	ECPI040060	Box / 2	ECTP0400	ECWA0001	ECMR0600
ECMI040060	ECAV040015	ECPI040060	Box / 2	ECTP0400	ECWA0001	ECMR0600
ECMI040060	ECAV040015	ECPI040060	Box / 2	ECTP0400	ECWA0001	ECMR0600
			Box / 1	ECTP0500	ECWA0001	ECMR0500
			Box / 1	ECTP0500	ECWA0001	ECMR0500
			Box / 1	ECTP0500	ECWA0001	ECMR0600
			Box / 1	ECTP0500	ECWA0001	ECMR0600
			Box / 1	ECTP0500	ECWA0001	ECMR0600
ECMI050070	ECAV050015	ECPI050070	Box / 2	ECTP0500	ECWA0001	ECMR0700
ECMI050070	ECAV050015	ECPI050070	Box / 2	ECTP0500	ECWA0001	ECMR0700
ECMI060040	ECAV060015	ECPI060040	Box / 1	ECTP0600	ECWA0001	ECMR0400
ECMI060040	ECAV060015	ECPI060040	Box / 1	ECTP0600	ECWA0001	ECMR0400
			Box / 1	ECTP0600	ECWA0001	ECMR0500
ECMI060060	ECAV060015		Box / 2	ECTP0600	ECWA0001	ECMR0600
ECMI060060	ECAV060015		Box / 2	ECTP0600	ECWA0001	ECMR0600
ECMI060060	ECAV060015		Box / 2	ECTP0600	ECWA0001	ECMR0600
ECMI060060	ECAV060015		Box / 2	ECTP0600	ECWA0001	ECMR0600
ECMI060060	ECAV060015		Box / 2	ECTP0600	ECWA0001	ECMR0600
ECMI060080	ECAV060015	ECPI060080	Box / 2	ECTP0600	ECWA0001	ECMR0800
ECMI060080	ECAV060015	ECPI060080	Box / 2	ECTP0600	ECWA0001	ECMR0800
ECMI060080	ECAV060015	ECPI060080	Box / 2	ECTP0600	ECWA0001	ECMR0800
ECMI060080	ECAV060015	ECPI060080	Box / 2	ECTP0600	ECWA0001	ECMR0800
ECMI060100	ECAV060015	ECPI060100	Box / 2	ECTP0600	ECWA0001	ECMR1000
ECMI060100	ECAV060015	ECPI060100	Box / 2	ECTP0600	ECWA0001	ECMR1000
ECMI060100	ECAV060015	ECPI060100	Box / 2	ECTP0600	ECWA0001	ECMR1000
ECMI060120	ECAV060015	ECPI060120	Latch	ECTP0600	ECWA0001	ECMR1200
			Box / 2	ECTP0800	ECWA0001	ECMR0800
			Box / 2	ECTP0800	ECWA0001	ECMR0800
			Box / 2	ECTP0800	ECWA0001	ECMR0800
			Box / 2	ECTP0800	ECWA0001	ECMR0800
ECMI080100	ECAV080015	ECPI080100	Box / 2	ECTP0800	ECWA0001	ECMR1000
ECMI080100	ECAV080015	ECPI080100	Box / 2	ECTP0800	ECWA0001	ECMR1000
ECMI080100	ECAV080015	ECPI080100	Box / 2	ECTP0800	ECWA0001	ECMR1000
ECMI080120	ECAV080015	ECPI080120	Latch	ECTP0800	ECWA0001	ECMR1200
ECMI080120	ECAV080015	ECPI080120	Latch	ECTP0800	ECWA0001	ECMR1200
			Box / 2	ECTP0800	ECWA0001	ECMR0600
			Latch	ECTP0800	ECWA0001	ECMR1400
			Box / 2	ECTP0500	ECWA0001	ECMR0800
			Latch	ECTP0500	ECWA0001	ECMR1000
			Latch	ECTP0500	ECWA0001	ECMR1200
			Latch	ECTP0500	ECWA0001	ECMR1400
			Latch	ECTP0600	ECWA0001	ECMR1200
			Latch	ECTP0600	ECWA0001	ECMR1200

See page 179 to select the lock system based on the E COR TYPE

**SPARE PARTS ACCESSORIES**

MOUNTING PLATE	BLANK DOOR	TRANSPARENT DOOR
ECPA020030	ECPO020030	
ECPA025030	ECPO025030	
ECPA030030	ECPO030030	
ECPA030030	ECPO030030	
ECPA030040	ECPO030040	
ECPA030040	ECPO030040	
ECPA030050	ECPO030050	
ECPA030050	ECPO030050	
ECPA040030	ECPO040030	ECPV040030
ECPA040030	ECPO040030	ECPV040030
ECPA040040	ECPO040040	ECPV040040
ECPA040040	ECPO040040	ECPV040040
ECPA040050	ECPO040050	ECPV040050
ECPA040050	ECPO040050	ECPV040050
ECPA040050	ECPO040050	ECPV040050
ECPA040060	ECPO040060	ECPV040060
ECPA040060	ECPO040060	ECPV040060
ECPA040060	ECPO040060	ECPV040060
ECPA040060	ECPO040060	ECPV040060
ECPA040060	ECPO040060	ECPV040060
ECPA050050	ECPO050050	
ECPA050050	ECPO050050	
ECPA050060	ECPO050060	
ECPA050060	ECPO050060	
ECPA050060	ECPO050060	
ECPA050070	ECPO050070	ECPV050070
ECPA050070	ECPO050070	ECPV050070
ECPA060040	ECPO060040	ECPV060040
ECPA060040	ECPO060040	ECPV060040
ECPA060050	ECPO060050	ECPV060050
ECPA060060	ECPO060060	ECPV060060
ECPA060060	ECPO060060	ECPV060060
ECPA060060	ECPO060060	ECPV060060
ECPA060060	ECPO060060	ECPV060060
ECPA060080	ECPO060080	ECPV060080
ECPA060080	ECPO060080	ECPV060080
ECPA060080	ECPO060080	ECPV060080
ECPA060080	ECPO060080	ECPV060080
ECPA060100	ECPO060100	ECPV060100
ECPA060100	ECPO060100	ECPV060100
ECPA060100	ECPO060100	ECPV060100
ECPA060120	ECPO060120	ECPV060120
ECPA080080	ECPO080080	ECPV080080
ECPA080080	ECPO080080	ECPV080080
ECPA080080	ECPO080080	ECPV080080
ECPA080100	ECPO080100	ECPV080100
ECPA080100	ECPO080100	ECPV080100
ECPA080100	ECPO080100	ECPV080100
ECPA080120	ECPO080120	ECPV080120
ECPA080120	ECPO080120	ECPV080120
ECPA080060	ECPO080060*	
ECPA080140	ECPO080140*	
ECPA100080	ECPO100080*	
ECPA100080	ECPO100080*	
ECPA100100	ECPO100100*	
ECPA100120	ECPO100120*	
ECPA100140	ECPO100140*	
ECPA120080	ECPO120080*	
ECPA120120	ECPO120120*	

Boxes

\* Add I to the code to order a master door with lock (e.g. **ECPO080060I**) and C for slave door (e.g. **ECPO080060C**)

DIMENSIONS (MM)			ENCLOSURE							
B	A	P	SINGLE BLANK	DOUBLE BLANK	SINGLE TRANSPARENT	EMC VERSION	MICRO-PERFORATED MOUNTING PLATE	MOUNTING PLATE ADJUSTER (10 PCS)	IN-DEPTH UNIVERSAL CROSS-PIECE (4PCS)	
200	300	150	EC020315 ■			EC020315.E	ECPF020030		ECTU0150	
250	300	150	EC025315 ■				ECPF025030		ECTU0150	
300	300	150	EC030315 ■				ECPF030030		ECTU0150	
300	300	200	EC030320 ■				ECPF030030	ECRP0001	ECTU0200	
300	400	150	EC030415 ■				ECPF030040		ECTU0150	
300	400	200	EC030420 ■				ECPF030040	ECRP0001	ECTU0200	
300	500	150	EC030515 ■				ECPF030050		ECTU0150	
300	500	200	EC030520 ■				ECPF030050	ECRP0001	ECTU0200	
400	300	150	EC040315 ■				ECPF040030		ECTU0150	
400	300	200	EC040320 ■		EC040320.P		ECPF040030	ECRP0001	ECTU0200	
400	400	200	EC040420 ■		EC040420.P	EC040420.E	ECPF040040	ECRP0001	ECTU0200	
400	400	250	EC040425 ■				ECPF040040	ECRP0001	ECTU0250	
400	500	150	EC040515 ■				ECPF040050		ECTU0150	
400	500	200	EC040520 ■		EC040520.P		ECPF040050	ECRP0001	ECTU0200	
400	500	250	EC040525 ■		EC040525.P		ECPF040050	ECRP0001	ECTU0250	
400	600	200	EC040620 ■		EC040620.P	EC040620.E	ECPF040060	ECRP0001	ECTU0200	
400	600	250	EC040625 ■		EC040625.P		ECPF040060	ECRP0001	ECTU0250	
400	600	300	EC040630 ■				ECPF040060	ECRP0001	ECTU0300	
400	600	350	EC040635 ■				ECPF040060	ECRP0001	ECTU0350	
400	600	400	EC040640 ■				ECPF040060	ECRP0001	ECTU0400	
500	500	200	EC050520 ■				ECPF050050	ECRP0001	ECTU0200	
500	500	250	EC050525 ■				ECPF050050	ECRP0001	ECTU0250	
500	500	300	EC050530 ■				ECPF050050	ECRP0001	ECTU0300	
500	600	150	EC050615 ■				ECPF050060		ECTU0150	
500	600	200	EC050620 ■				ECPF050060	ECRP0001	ECTU0200	
500	600	250	EC050625 ■				ECPF050060	ECRP0001	ECTU0250	
500	700	200	EC050720 ■		EC050720.P		ECPF050070	ECRP0001	ECTU0200	
500	700	250	EC050725 ■		EC050725.P		ECPF050070	ECRP0001	ECTU0250	
600	400	200	EC060420 ■		EC060420.P		ECPF060040	ECRP0001	ECTU0200	
600	400	300	EC060430 ■				ECPF060040	ECRP0001	ECTU0300	
600	500	200	EC060520 ■				ECPF060050	ECRP0001	ECTU0200	
600	600	200	EC060620 ■		EC060620.P		ECPF060060	ECRP0001	ECTU0200	
600	600	250	EC060625 ■				ECPF060060	ECRP0001	ECTU0250	
600	600	300	EC060630 ■		EC060630.P	EC060630.E	ECPF060060	ECRP0001	ECTU0300	
600	600	350	EC060635 ■				ECPF060060	ECRP0001	ECTU0350	
600	600	400	EC060640 ■				ECPF060060	ECRP0001	ECTU0400	
600	800	200	EC060820 ■				ECPF060080	ECRP0001	ECTU0200	
600	800	250	EC060825 ■		EC060825.P		ECPF060080	ECRP0001	ECTU0250	
600	800	300	EC060830 ■		EC060830.P		ECPF060080	ECRP0001	ECTU0300	
600	800	350	EC060835 ■				ECPF060080	ECRP0001	ECTU0350	
600	800	400	EC060840 ■				ECPF060080	ECRP0001	ECTU0400	
600	1000	250	EC061025 ■				ECPF060100	ECRP0001	ECTU0250	
600	1000	300	EC061030 ■		EC061030.P		ECPF060100	ECRP0001	ECTU0300	
600	1000	400	EC061040 ■				ECPF060100	ECRP0001	ECTU0400	
600	1200	300	EC061230 ■		EC061230.P		ECPF060120	ECRP0001	ECTU0300	
800	800	200	EC080820 ■				ECPF080080	ECRP0001	ECTU0200	
800	800	250	EC080825 ■				ECPF080080	ECRP0001	ECTU0250	
800	800	300	EC080830 ■		EC080830.P		ECPF080080	ECRP0001	ECTU0300	
800	800	400	EC080840 ■				ECPF080080	ECRP0001	ECTU0400	
800	1000	250	EC081025 ■				ECPF080100	ECRP0001	ECTU0250	
800	1000	300	EC081030 ■		EC081030.P		ECPF080100	ECRP0001	ECTU0300	
800	1000	400	EC081040 ■				ECPF080100	ECRP0001	ECTU0400	
800	1200	300	EC081230 ■		EC081230.P		ECPF080120	ECRP0001	ECTU0300	
800	1200	400	EC081240 ■				ECPF080120	ECRP0001	ECTU0400	
800	600	300		EC080630 ■			ECPF080060	ECRP0001	ECTU0300	
800	1400	300		EC081430 ■			ECPF080140	ECRP0001	ECTU0300	
1000	800	200		EC100820 ■			ECPF100080	ECRP0001	ECTU0200	
1000	800	300		EC100830 ■			ECPF100080	ECRP0001	ECTU0300	
1000	1000	300		EC101030 ■			ECPF100100	ECRP0001	ECTU0300	
1000	1200	300		EC101230 ■			ECPF100120	ECRP0001	ECTU0300	
1000	1400	300		EC101430 ■			ECPF100140	ECRP0001	ECTU0300	
1200	800	300		EC120830 ■			ECPF120080	ECRP0001	ECTU0300	
1200	1200	300		EC121230 ■			ECPF120120	ECRP0001	ECTU0300	

Boxes

AVAILABLE: ■ IN STOCK  
■ UPON REQUEST

See page 266





**CHARACTERISTICS AND COMPOSITION**

Housing made from sheet steel.  
 Reversible door made from sheet steel with  $\varnothing 3$  mm double Bit locking system and 2 profiles (welded and painted).  
 Mounting plate made from sendzimir steel.  
 Cable entry closure flange (with polyurethane gasket) made from sheet steel.  
 Set of screws for grounding and assembly.

**PAINTING**

ETA standard finishing cycle: paint-based primer with deposition by cataphoresis with epoxy resin and finishing using thermosetting powders. Colour: RAL7035 textured.



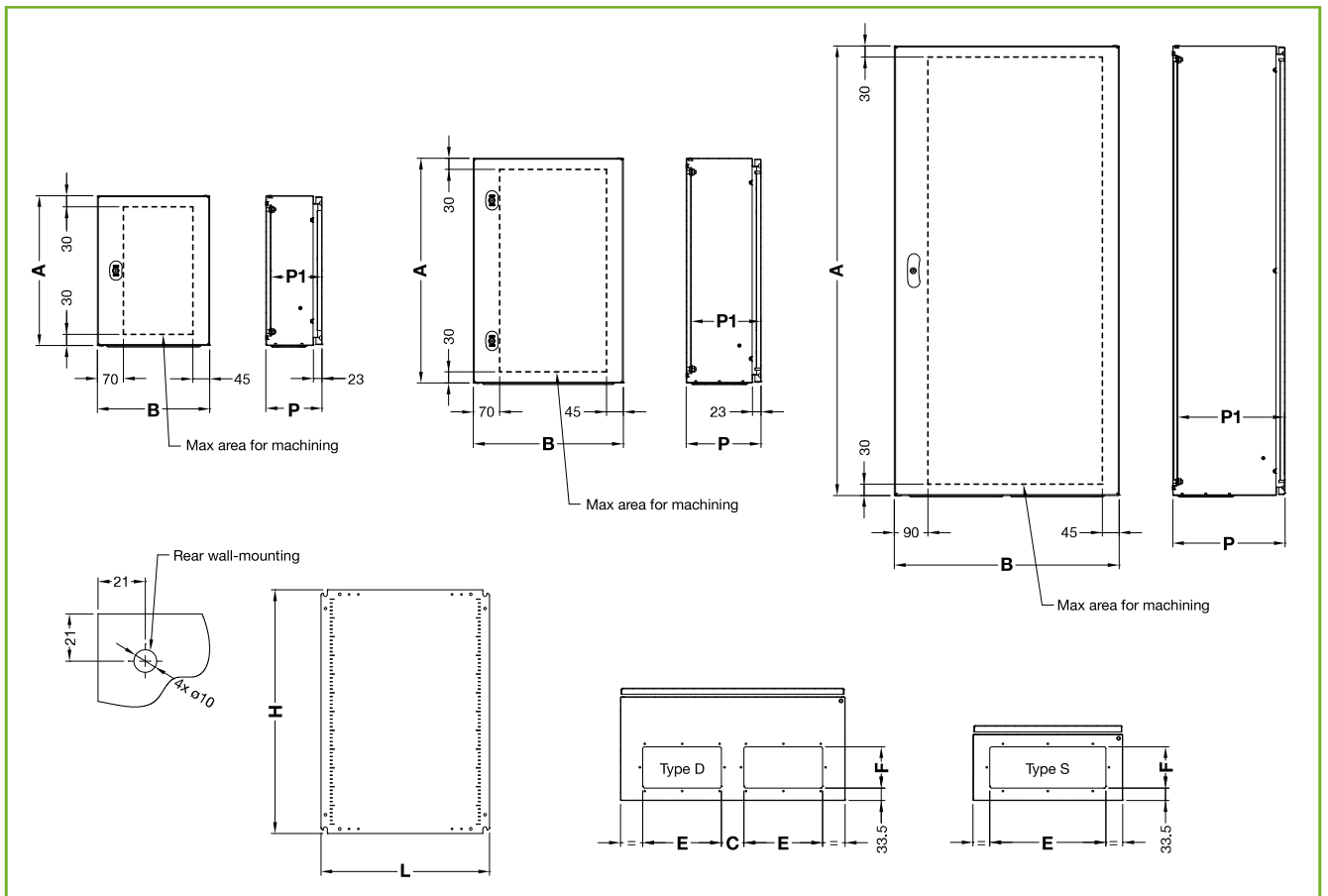
**PROTECTION RATING**

- IP66 compliant with IEC EN62208 and EN60529.
- NEMA4 compliant with UL508A and UL50.
- Protection rating ensured by the two-component polyurethane foam gasket.
- Impact resistance rating IK10 in compliant with IEC EN62208 and EN62262.

Boxes



Space markings on Mounting Plate (removable with appropriate product) to facilitate wiring.  
**Except for: 200x300, 250x300, W  $\geq$  1000 mm.**



AVAILABLE: ■ IN STOCK  
■ UPON REQUEST

ENCLOSURE WITH SINGLE SOLID DOOR												
E COR CODE	AVAILAB.	ENCLOSURE					CABLE ENTRY				MOUNTING PLATE	
		B	A	P	P1	TYPE/NO.	E	F	C	TYPE	L	H
<b>200</b>												
EC020315	■	200	300	150	135	Box/1	135	55	–	S	150	250
<b>250</b>												
EC025315	■	250	300	150	135	Box/1	135	55	–	S	200	250
<b>300</b>												
EC030315	■	300	300	150	135	Box/1	210	55	–	S	250	250
EC030320	■	300	300	200	185	Box/1	210	110	–	S	250	250
EC030415	■	300	400	150	135	Box/1	210	55	–	S	250	350
EC030420	■	300	400	200	185	Box/1	210	110	–	S	250	350
EC030515	■	300	500	150	135	Box/1	210	55	–	S	250	450
EC030520	■	300	500	200	185	Box/1	210	110	–	S	300	450
<b>400</b>												
EC040315	■	400	300	150	135	Box/1	210	55	–	S	350	250
EC040320	■	400	300	200	185	Box/1	310	110	–	S	350	250
EC040420	■	400	400	200	185	Box/1	310	110	–	S	350	350
EC040425	■	400	400	250	235	Box/1	310	110	–	S	350	350
EC040515	■	400	500	150	135	Box/1	210	55	–	S	350	450
EC040520	■	400	500	200	185	Box/1	310	110	–	S	350	450
EC040525	■	400	500	250	235	Box/1	310	110	–	S	350	450
EC040620	■	400	600	200	185	Box/2	310	110	–	S	350	550
EC040625	■	400	600	250	235	Box/2	310	110	–	S	350	550
EC040630	■	400	600	300	285	Box/2	310	110	–	S	350	550
EC040635	■	400	600	350	335	Box/2	310	110	–	S	350	550
EC040640	■	400	600	400	385	Box/2	310	110	–	S	350	550
<b>500</b>												
EC050520	■	500	500	200	185	Box/1	310	110	–	S	450	450
EC050525	■	500	500	250	235	Box/1	310	110	–	S	450	450
EC050530	■	500	500	300	285	Box/1	310	110	–	S	450	450
EC050615	■	500	600	150	135	Box/1	210	55	–	S	450	550
EC050620	■	500	600	200	185	Box/1	310	110	–	S	450	550
EC050625	■	500	600	250	235	Box/1	310	110	–	S	450	550
EC050720	■	500	700	200	185	Box/2	310	110	–	S	450	650
EC050725	■	500	700	250	235	Box/2	310	110	–	S	450	650
<b>600</b>												
EC060420	■	600	400	200	185	Box/1	210	110	60	D	550	350
EC060430	■	600	400	300	285	Box/1	210	110	60	D	550	350
EC060520	■	600	500	200	185	Box/1	210	110	60	D	550	450
EC060620	■	600	600	200	185	Box/2	210	110	60	D	550	550
EC060625	■	600	600	250	235	Box/2	210	110	60	D	550	550
EC060630	■	600	600	300	285	Box/2	210	110	60	D	550	550
EC060635	■	600	600	350	335	Box/2	210	110	60	D	550	550
EC060640	■	600	600	400	385	Box/2	210	110	60	D	550	550
EC060820	■	600	800	200	185	Box/2	210	110	60	D	550	750
EC060825	■	600	800	250	235	Box/2	210	110	60	D	550	750
EC060830	■	600	800	300	285	Box/2	210	110	60	D	550	750
EC060835	■	600	800	350	335	Box/2	210	110	60	D	550	750
EC060840	■	600	800	400	385	Box/2	210	110	60	D	550	750
EC061025	■	600	1000	250	235	Box/2	210	110	60	D	550	950
EC061030	■	600	1000	300	285	Box/2	210	110	60	D	550	950
EC061040	■	600	1000	400	385	Box/2	210	110	60	D	550	950
EC061230	■	600	1200	300	285	Latch	210	110	60	D	550	1150
<b>800</b>												
EC080820	■	800	800	200	185	Box/2	310	110	60	D	750	750
EC080825	■	800	800	250	185	Box/2	310	110	60	D	750	750
EC080830	■	800	800	300	285	Box/2	310	110	60	D	750	750
EC080840	■	800	800	400	385	Box/2	310	110	60	D	750	750
EC081025	■	800	1000	250	235	Box/2	310	110	60	D	750	950
EC081030	■	800	1000	300	285	Box/2	310	110	60	D	750	950
EC081040	■	800	1000	400	385	Box/2	310	110	60	D	750	950
EC081230	■	800	1200	300	285	Latch	310	110	60	D	750	1150
EC081240	■	800	1200	400	385	Latch	310	110	60	D	750	1150

Boxes

For E COR boxes without plate, order version .N (not handled in the warehouse, available on request).



**CHARACTERISTICS AND COMPOSITION**

Housing made from sheet steel.  
 Reversible door made from sheet steel with Ø 3 mm double Bit locking system and transparent tempered glass.  
 Mounting plate made from sendzimir steel.  
 Cable entry closure flange (with polyurethane gasket) made from sheet steel.  
 Set of screws for grounding and assembly.

**PAINTING**

ETA standard finishing cycle: paint-based primer with deposition by cataphoresis with epoxy resin and finishing using thermosetting powders. Colour: RAL7035 textured.



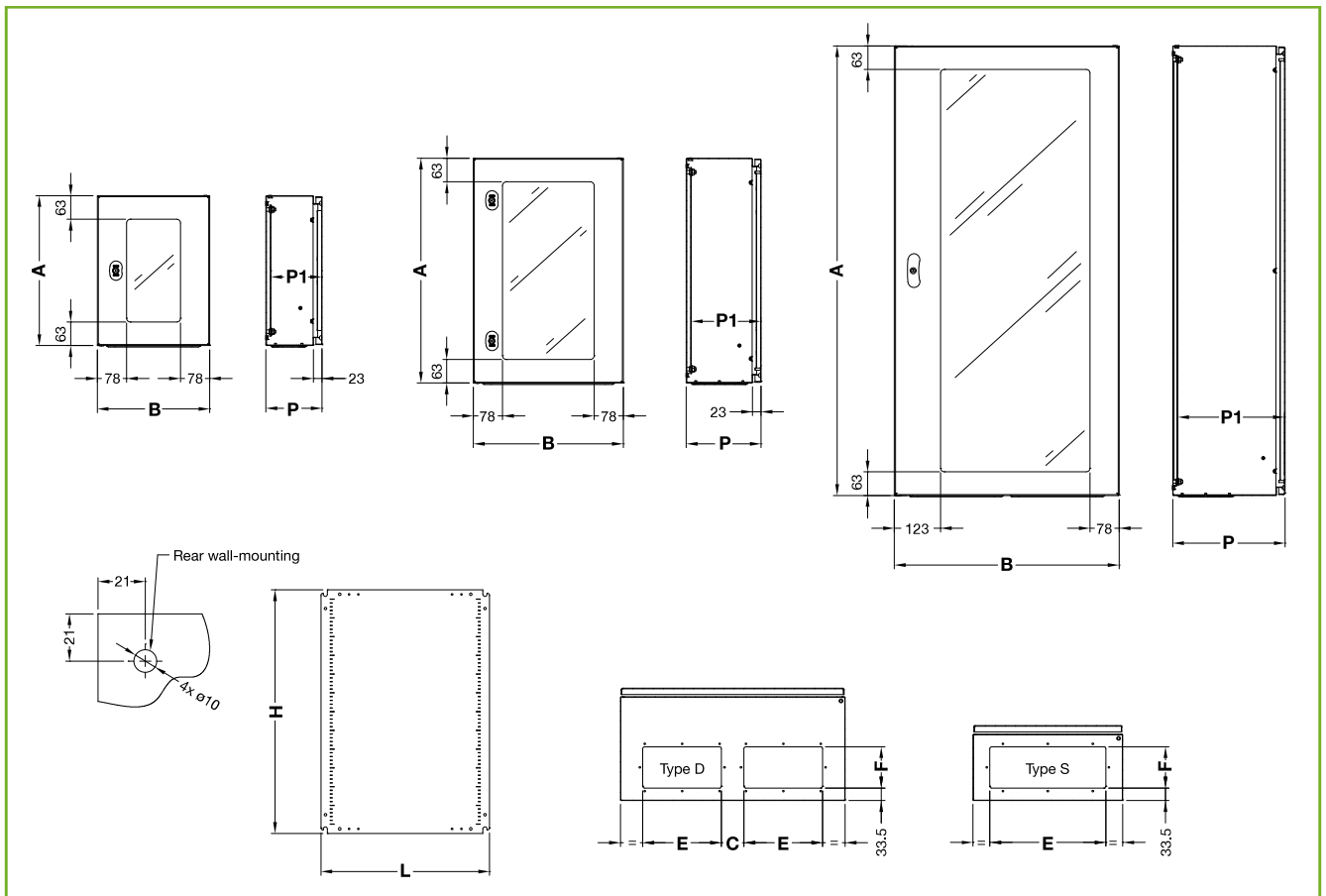
**PROTECTION RATING**

- IP66 compliant with IEC EN62208 and EN60529.
- NEMA12 compliant with UL508A and UL50.
- Protection rating ensured by the two-component polyurethane foam gasket.
- Impact resistance rating IK10 in compliant with IEC EN62208 and EN62262.



Space markings on Mounting Plate (removable with appropriate product) to facilitate wiring.  
**Except for: 200x300, 250x300, W ≥ 1000 mm.**

Boxes



ENCLOSURE WITH TRANSPARENT DOOR											
E COR CODE	ENCLOSURE					CABLE ENTRY				MOUNTING PLATE	
	B	A	P	P1	TYPE/NO.	E	F	C	TYPE	L	H
<b>400</b>											
EC040320.P	400	300	200	185	Box/1	310	110	–	S	350	250
EC040420.P	400	400	200	185	Box/1	310	110	–	S	350	350
EC040520.P	400	500	200	185	Box/1	310	110	–	S	350	450
EC040525.P	400	500	250	235	Box/1	310	110	–	S	350	450
EC040620.P	400	600	200	185	Box/2	310	110	–	S	350	550
EC040625.P	400	600	250	235	Box/2	310	110	–	S	350	550
<b>500</b>											
EC050720.P	500	700	200	185	Box/2	310	110	–	S	450	650
EC050725.P	500	700	250	235	Box/2	310	110	–	S	450	650
<b>600</b>											
EC060420.P	600	400	200	185	Box/1	210	110	60	D	550	350
EC060620.P	600	600	200	185	Box/2	210	110	60	D	550	550
EC060630.P	600	600	300	285	Box/2	210	110	60	D	550	550
EC060825.P	600	800	250	235	Box/2	210	110	60	D	550	750
EC060830.P	600	800	300	285	Box/2	210	110	60	D	550	750
EC061030.P	600	1000	300	285	Box/2	210	110	60	D	550	950
EC061230.P	600	1200	300	285	Latch	210	110	60	D	550	1150
<b>800</b>											
EC080830.P	800	800	300	285	Box/2	310	110	60	D	750	750
EC081030.P	800	1000	300	285	Box/2	310	110	60	D	750	950
EC081230.P	800	1200	300	285	Latch	310	110	60	D	750	1150

For E COR boxes without plate, order version .N (not handled in the warehouse, available on request).

Boxes



**BOXES WITH SCREWED PANEL**

E COR CODE	AVAILAB.	DIMENSIONS			E COR CODE	AVAILAB.	DIMENSIONS		
		L	H	P			L	H	P
<b>200</b>					<b>500</b>				
EC020315.A	■	200	300	150	EC050520.A	■	500	500	200
<b>250</b>					EC050525.A	■	500	500	250
EC025315.A	■	250	300	150	EC050530.A	■	500	500	300
<b>300</b>					EC050615.A	■	500	600	150
EC030315.A	■	300	300	150	EC050620.A	■	500	600	200
EC030320.A	■	300	300	200	EC050625.A	■	500	600	250
EC030415.A	■	300	400	150	EC050720.A	■	500	700	200
EC030420.A	■	300	400	200	EC050725.A	■	500	700	250
EC030515.A	■	300	500	150	<b>600</b>				
EC030520.A	■	300	500	200	EC060420.A	■	600	400	200
<b>400</b>					EC060430.A	■	600	400	300
EC040315.A	■	400	300	150	EC060520.A	■	600	500	200
EC040320.A	■	400	300	200	EC060620.A	■	600	600	200
EC040420.A	■	400	400	200	EC060625.A	■	600	600	250
EC040425.A	■	400	400	250	EC060630.A	■	600	600	300
EC040515.A	■	400	500	150	EC060635.A	■	600	600	350
EC040520.A	■	400	500	200	EC060640.A	■	600	600	400
EC040525.A	■	400	500	250	EC060820.A	■	600	800	200
EC040620.A	■	400	600	200	EC060825.A	■	600	800	250
EC040625.A	■	400	600	250	EC060830.A	■	600	800	300
EC040630.A	■	400	600	300	EC060835.A	■	600	800	350
EC040635.A	■	400	600	350	EC060840.A	■	600	800	400
EC040640.A	■	400	600	400	<b>800</b>				
					EC080820.A	■	800	800	200
					EC080825.A	■	800	800	250
					EC080830.A	■	800	800	300
					EC080840.A	■	800	800	400

AVAILABLE: ■ UPON REQUEST



### CHARACTERISTICS AND COMPOSITION

Housing made from sheet steel.  
Doors made from sheet steel with Ø 3 mm double Bit locking system and 4 profiles (welded and painted).  
Mounting plate made from sendzimir steel.  
Cable entry closure flanges (with polyurethane gasket) made from sheet steel.  
Set of screws for grounding and assembly.

### PAINTING

ETA standard finishing cycle: paint-based primer with deposition by cathoresis with epoxy resin and finishing using thermosetting powders. Colour: RAL7035 textured.

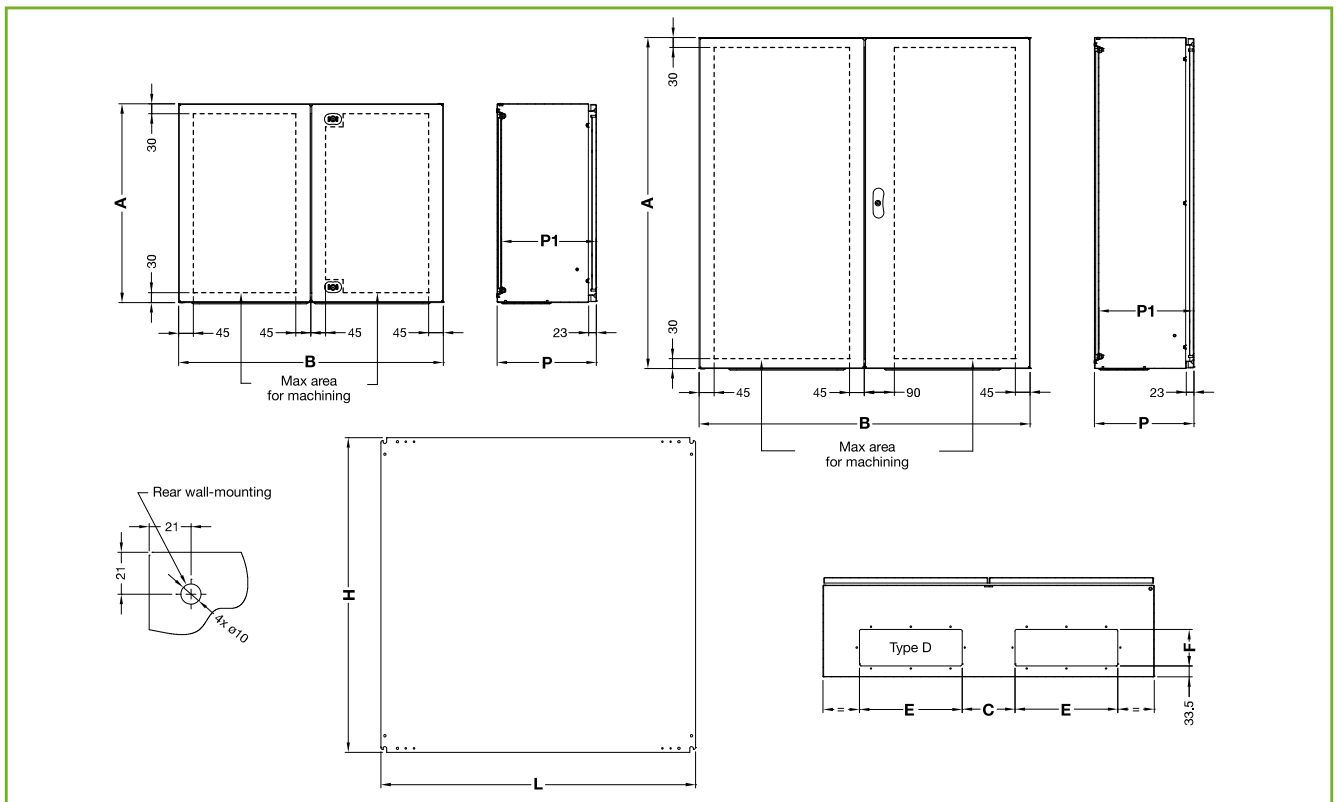


### PROTECTION RATING

- IP55 compliant with IEC EN62208 and EN60529.
- NEMA12 compliant with UL508A and UL50.
- Protection rating ensured by the two-component polyurethane foam gasket.
- Impact resistance rating IK10 in compliant with IEC EN62208 and EN62262.



Space markings on Mounting Plate (removable with appropriate product) to facilitate wiring.  
Except for: 200x300, 250x300, W ≥ 1000 mm.



Boxes

## ENCLOSURE WITH DOUBLE SOLID DOOR

E COR CODE	AVAIL.	ENCLOSURE						CABLE ENTRY				MOUNTING PLATE	
		B	A	P	P1	TYPE/NO.	E	F	C	TYPE	L	H	
EC080630	■	800	600	300	285	Box/2	310	110	60	D	750	550	
EC081430	■	800	1400	300	285	Latch	310	110	60	D	750	1350	
EC100820	■	1000	800	200	185	Box/2	310	110	160	D	950	750	
EC100830	■	1000	800	300	285	Box/2	310	110	160	D	950	750	
EC101030	■	1000	1000	300	285	Latch	310	110	160	D	950	950	
EC101230	■	1000	1200	300	285	Latch	310	110	160	D	950	1150	
EC101430	■	1000	1400	300	285	Latch	310	110	160	D	950	1350	
EC120830	■	1200	800	300	285	Latch	310	110	260	D	1150	750	
EC121230	■	1200	1200	300	285	Latch	310	110	260	D	1150	1150	

For E COR boxes without plate, order version .N (not handled in the warehouse, available on request).

AVAILABLE: ■ UPON REQUEST



The UBC (Uniform Building Code), which establishes that the various areas of buildings must be divided into zones with an increasing degree of severity (zone 4 = high risk), is used to assess the performance of enclosures installed in areas with a high seismic risk.

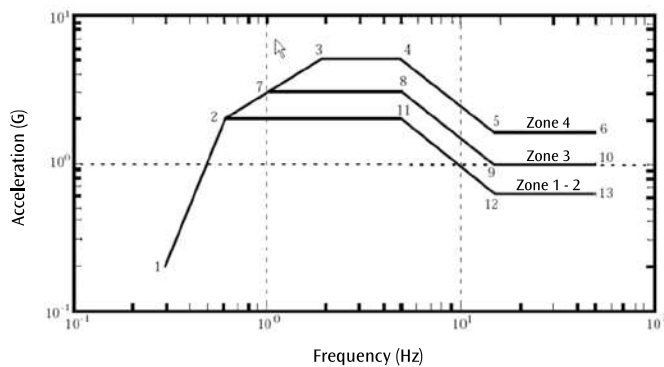
For the purpose of carrying out conformity tests, this is followed by testing to American Bellcore (TELCOR-DIA-GR-63-CORE-Issue3, March 2006) standard, used as a reference in the sector.

Thanks to the collaboration with CESI, a pseudo-static study has been carried out on the maximum dimension W 800 x H 1200 x D 300 mm of an E COR box with a single door (maximum dimension) made of DC01 carbon steel sheet, to evaluate its performance in zones 1-2, 3 and 4.

The tests were completed successfully, and we can therefore assume that all E COR boxes with single blind doors with dimensions less than W 800 x H 1200 x D 300 mm and having the following characteristics can be used in zones 1-2, 3, 4 with high seismic risk:

	ZONE 1 - 2	ZONE 3	ZONE 4
<b>WALL-MOUNTING SYSTEM</b>	SDWCX - 011 (stainless steel AISI316L)	SDWCX - 011 (stainless steel AISI316L)	SDWCX - 011 (stainless steel AISI316L)
<b>P.A. PLATE LOAD LIMIT</b>	600 Newton	600 Newton	600 Newton
<b>VARIATION IN P.A. PLATE MOUNTING</b>		2 additional central stud bolts	2 additional central stud bolts
<b>VARIATION ENCLOSURE SHEET THICKNESS</b>			E COR enclosure carbon sheet steel thickness = 18/10

Boxes



**SEISMIC ANALYSES**

The seismic analyses were performed using an equivalent static procedure (i.e. applying static loads whose effect is equivalent to the dynamic load defined by the Required Response Spectra RSS from Ref. [1]).

The equivalent static loads were calculated following the IBC procedure (Ref. [2]), but replacing the MCE spectral response mapped with the RSS indicated in the document Telcordia GR-63-CORE (from Ref. [1]).

The maximum spectral accelerations S, for the short term (0.2 s -> 5.0 Hz) and the maximum spectral accelerations S1, for the long term (1.0 s -> 1.0Hz) were read directly from the RRS spectrum (see graph) for the different seismic zones.



**MODULAR FRONT WITH UNIVERSAL FUNCTIONAL FRAME, PANELS AND DIN RAILS**

Internal frame made from sendzimir sheet steel complete with modular panels, DIN rails made from profiled sendzimir sheet steel and partitions H = 25 or 50 mm (if needed) made from sheet steel. Single piece complete with frame, modular panels, DIN guides, partitions, brackets and mounting accessories.

**BLANK PANEL**

Made from painted sheet steel. Nr. 2 pieces complete with mounting accessories.

**INTERNAL DOOR**

Internal frame made from galvanised sheet steel and panel made from sheet steel. Single piece complete with frame, hinges, locking system and mounting hardware.

**PAINTING**

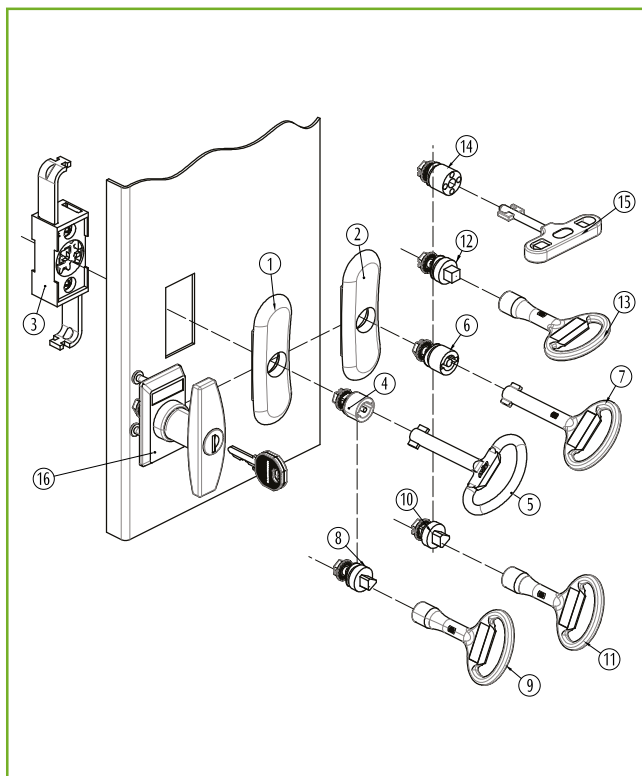
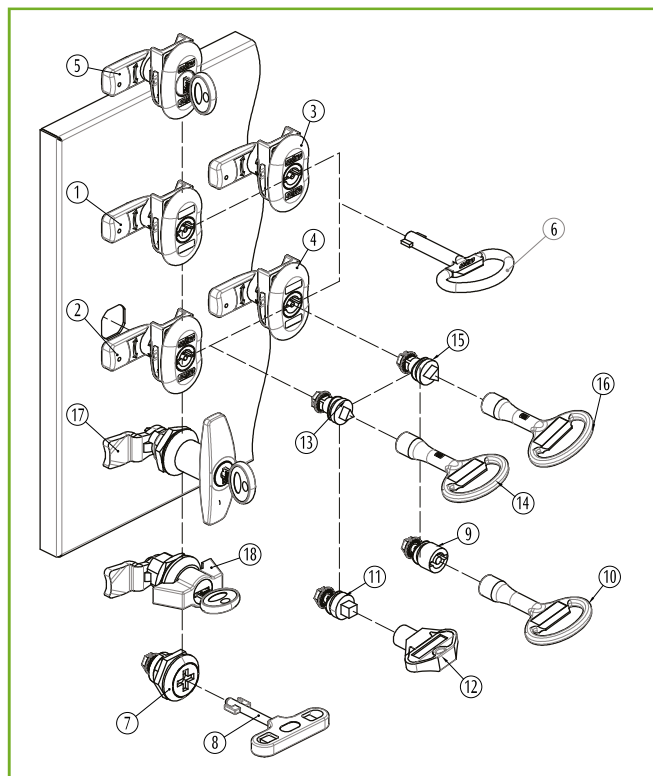
ETA standard finishing cycle: paint-based primer with deposition by cataphoresis with epoxy resin and finishing using thermosetting powders. Colour: RAL7035 textured.








Boxes



E COR ENCLOSURE		CHASSIS WITH UNIVERSAL FUNCT. FRAME, PANELS AND DIN RAILS		BLANK PANEL (2 PCS)			INTERNAL DOOR			
B	A	CODE	FUNCT. CHARACTER.	CODE	WIDTH	HEIGHT	CODE	WIDTH	HEIGHT	TYPE/NO.
400	300	ECMI040030	1 row x 16 DIN modules	ECAV040015	345	147	-	-	-	-
400	400	ECMI040040	2 rows x 16 DIN modules				-	-	-	-
400	500	ECMI040050	3 rows x 16 DIN modules				ECPI040050	340	446	Box/1
400	600	ECMI040060	3 rows x 16 DIN modules				ECPI040060	340	546	Box/2
500	700	ECMI050070	4 rows x 21 DIN modules	ECAV050015	445	147	ECPI050070	440	646	Box/2
600	400	ECMI060040	2 rows x 26 DIN modules	ECAV060015	545	147	ECPI060040	540	346	Box/1
600	600	ECMI060060	3 rows x 26 DIN modules				-	-	-	-
600	800	ECMI060080	5 rows x 26 DIN modules				ECPI060080	540	746	Box/2
600	1000	ECMI060100	6 rows x 26 DIN modules				ECPI060100	540	946	Box/2
600	1200	ECMI060120	7 rows x 26 DIN modules				ECPI060120	540	1146	Box/2
800	1000	ECMI080100	6 rows x 36 DIN modules	ECAV080015	745	147	ECPI080100	740	946	Box/2
800	1200	ECMI080120	7 rows x 36 DIN modules				ECPI080120	740	1146	Box/2



**FOR ENCLOSURES WITH BOX LOCK**

INSERT CODE	RIF.	DESCRIPTION	ETA LOGO	RIF.	KEY CODE
ECWE0001	2	 COMPLETE CLOSURE SYSTEM	●	6	ECWE0002
ECWE0003	1	 COMPLETE CLOSURE SYSTEM		6	ECWE0002
ECWE0004	3	 COMPLETE CLOSURE SYSTEM	●	6	ECWE0002
ECWE0005	4	 COMPLETE CLOSURE SYSTEM		6	ECWE0002
ECWE0006	5	 COMPLETE CLOSURE SYSTEM WITH VIRO SYSTEM	●		-
WE240	7	FIAT (COMPLETE BOX)		8	WE210
WE260	9	6 mm SQUARE INSERT		10	WE263
WE265	11	7 mm SQUARE INSERT		12	WE268
WE270	13	6.5 mm TRIANGULAR INSERT		14	WE273
WE275	15	8 mm TRIANGULAR INSERT		16	WE278
WE375	17	SWIVEL T (WITH KEY)			-
WE378	18	WITH FINNS (WITH KEY)			-

**FOR ENCLOSURES WITH LATCH CLOSURE**


INSERT CODE	RIF.	DESCRIPTION	RIF.	KEY CODE
ECWE0007	1	RAL5020 BADGE WITHOUT LOGO		-
ECWE0008	2	BLACK BADGE WITHOUT LOGO		-
WE010	3	ROD OPERATION		-
WE080	14	FIAT	15	WE210
WE030	4	DOUBLE 3 mm FIN INSERT	5	WE160
WE040	6	DOUBLE 5 mm FIN INSERT	7	WE170
WE050	8	7 mm TRIANGULAR INSERT	9	WE180
WE060	10	8 mm TRIANGULAR INSERT	11	WE190
WE070	12	7 mm SQUARE INSERT	13	WE200
WE230	16	SWIVEL T WITH KEY		-



**LOCKING SYSTEMS**

Wide range of locking systems and inserts for enclosures with one or two locking points or latches. Standard lock cover\*: RAL5020 with ETA logo.


\* Black lock cover with ETA logo furnished standard for E COR enclosures with special finish.

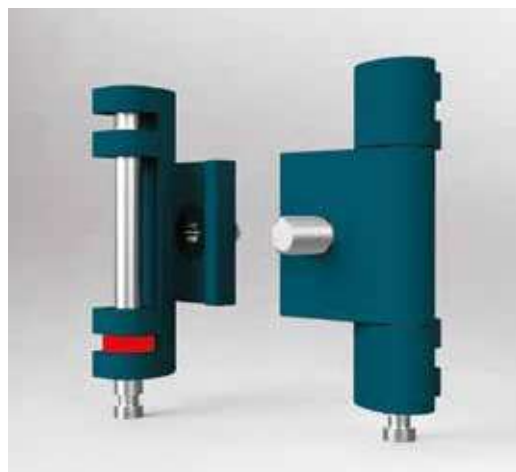
 Closure system complete with cover, 3 mm double-bit metal insert, plastic tab.

Boxes

### 180° HINGES ECCE0001

They allow the door to be opened to 180°. Manufactured in smooth RAL5020 painted aluminium alloy. Nr. 2 pieces complete with assembly accessories.

 For RAL9011 version, please order ECCE0002.



VIDEO  
TUTORIAL

### HINGE KIT ECTC0001

Made up from a small hammer and pliers for operation on the hinge pin (without it being removed completely from its seat thanks to the anti-pull seeger) and proceed with door wiring or inversion. Can be used on standard E COR hinges or hinges for 180° door opening.

### HINGE REPLACEMENT KIT ECTC0002

Made up from hinge, pin, seeger and screws for assembly.

### CROSS-PIECE

PRODUCT CODE	ENCLOS. B
ECTP0300	300
ECTP0400	400
ECTP0500	500
ECTP0600	600
ECTP0700	700
ECTP0800	800

### DOOR CROSS-PIECE

Designed to facilitate the passage of cables or conduits. Made from sendzimir sheet steel with a 25 mm drilling distance and Ø 4.5 mm holes to be made in the door's vertical profiles. Nr. 10 pieces complete with mounting accessories.



### 19" RACK UPRIGHTS

Made from sendzimir sheet metal. Nr. 2 pieces complete with mounting accessories.




### 19" RACK UPRIGHTS

PRODUCT CODE	ENCLOSURE A	HE
ECMR0300	300	5
ECMR0400	400	8
ECMR0500	500	10
ECMR0600	600	13
ECMR0700	700	15
ECMR0800	800	17
ECMR1000	1000	22
ECMR1200	1200	26

### DOOR STOP ECWA0001

Allows the door to be mechanically stopped at 90°, 100° or 110° (complying to the machining on the housing), in order to prevent accidental closure. Made from galvanised sheet steel. Single piece complete with mounting accessories.

 Enclosure and door machining required: indicate when ordering if requested from the supplier.



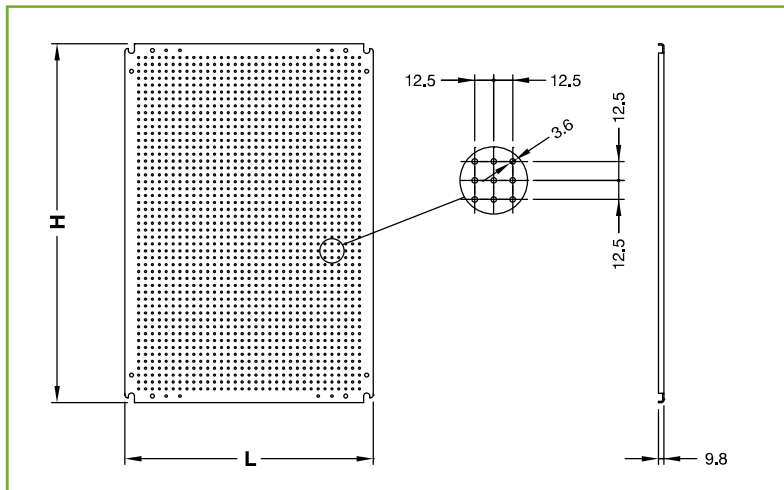


**MOUNTING PLATE  
MICRO-PERFORATED**

Made from sendzimir sheet steel.  
Individual piece.

**MOUNTING PLATE MICRO-PERFORATED**

DIM. ENCLOSURE		PLATE CHARACTERISTICS		
B	A	CODE	L	H
200	300	ECPF020030	150	250
250	300	ECPF025030	200	250
300	300	ECPF030030	250	250
300	400	ECPF030040	250	350
300	500	ECPF030050	250	450
400	300	ECPF040030	350	250
400	400	ECPF040040	350	350
400	500	ECPF040050	350	450
400	600	ECPF040060	350	550
500	500	ECPF050050	450	450
500	600	ECPF050060	450	550
500	700	ECPF050070	450	650
600	400	ECPF060040	550	350
600	500	ECPF060050	550	450
600	600	ECPF060060	550	550
600	800	ECPF060080	550	750
600	1000	ECPF060100	550	950
600	1200	ECPF060120	550	1150
800	600	ECPF080060	750	550
800	800	ECPF080080	750	750
800	1000	ECPF080100	750	950
800	1200	ECPF080120	750	1150
800	1400	ECPF080140	750	1350
1000	800	ECPF100080	950	750
1000	1000	ECPF100100	950	950
1000	1200	ECPF100120	950	1150
1000	1400	ECPF100140	950	1350
1200	800	ECPF120080	1150	750
1200	1200	ECPF120120	1150	1150



Boxes

**CROSS-PIECES**

PRODUCT CODE	ENCLOS. P
ECTU0150	150
ECTU0200	200
ECTU0250	250
ECTU0300	300
ECTU0350	350
ECTU0400	400

**CROSS-PIECES WITH UNIVERSAL DEPTH**

Universal accessory for internal accessory depth adjustment at 25 mm intervals.  
Made from sendzimir sheet steel.  
Nr. 4 pieces complete with mounting accessories.

Direct mounting on the universal accessory installation brackets.  
No need to machine the enclosure or weld additional stud bolts.



**MOUNTING PLATE ADJUSTMENT BRACKET  
ECRP0001**


Allows for 25 mm adjustment of the mounting plate.  
Made from sendzimir sheet steel.  
Nr. 10 pieces complete with mounting accessories.

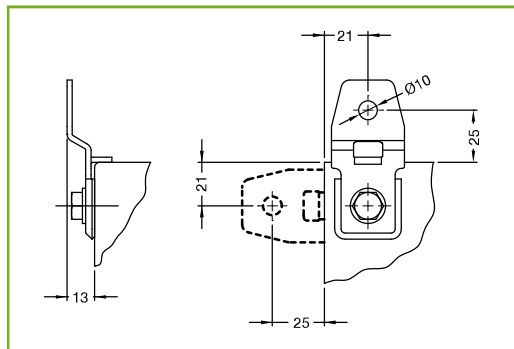
ECTU deep crosspieces are necessary for installation, and must be ordered separately.



**WALL MOUNTING KIT ECSF0001**

Made of zinc-coated sheet steel.  
Nr. 4 pieces complete with mounting accessories.

 Brackets assembled from outside enclosure.




**PROTECTIVE CANOPY**

Particularly suitable for outdoor installations, where additional protection against atmospheric agents is required. Made from sheet steel.  
Single piece complete with mounting accessories.

 **PAINTING**

ETA standard finishing cycle: paint-based primer with deposition by cataphoresis with epoxy resin and finishing using thermosetting powders. Colour: RAL7035 textured.



 Enclosure machining required: indicate when ordering if requested from the supplier.

For outdoor applications, it is recommended to check with our team for the best technical solution (e.g. need for a special finishing cycle).



**PROTECTIVE CANOPY**

PRODUCT CODE	ENCLOSURE DIMENSION	
	B	P
ECTT040020	400	200
ECTT040025	400	250
ECTT050020	500	200
ECTT050025	500	250
ECTT060025	600	250
ECTT060030	600	300
ECTT080030	800	300

**POLE MOUNTING KIT ECFP0001**

For fastening the E COR enclosure to a pole with a round or rectangular cross-section. Cross-piece in galvanized sheet steel and collar clamp.  
Nr. 2 cross-pieces and nr. 2 clamps complete with mounting accessories.



**MICRO-SWITCH ECMC0001**

Compliant with the IEC337-VDE0660 standards.  
Single piece complete with micro-switch and fastening brackets.



Boxes

**ALUMINIUM WINDOW**

Hinged window door manufactured with anodized aluminium structure and Plexiglass protection; it allows the internal components to be viewed to check operation. Pleasant aesthetics.


Simple assembly by replacement of the front door E COR, with fixing on the same hinges. Double locking system diam. 3 mm, with possibility of replacing inserts.

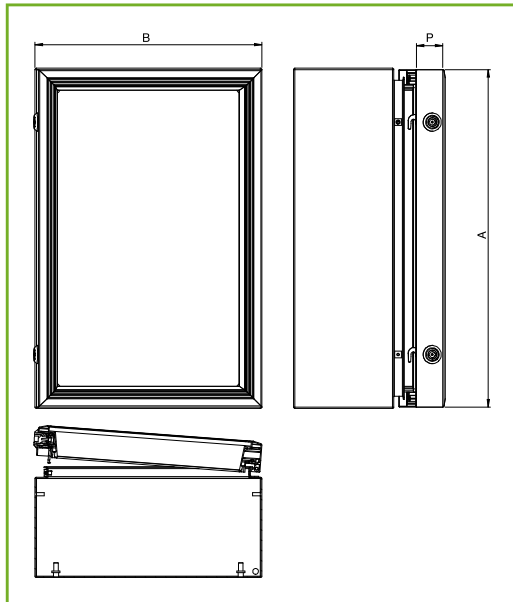
Accessory available on request, can be customised for dimensions (within the limits indicated in the table), H profile, transparent panel type (lexan or thermo-plast) and subject to m.o.q.

Nr. 1 piece complete with assembly accessories.

**PROTECTION RATING**

IP54 compliant with IEC EN62208; EN60529.

 Assembly directly on the casing without machining.



**WINDOW WITH GLASS ECPV46306**



Window max. external dim. L 460 x H 300 x D 60 mm manufactured in steel sheet with tempered glass internal clearance dim. L 310 x H 210 mm; locking system with wing knob.

Can be manufactured with special dimensions within the dimension limit indicated, with m.o.q. to be verified. Nr. 1 piece complete with assembly accessories.

**PAINTING**


ETA standard finishing cycle: paint-based primer with deposition by cataphoresis with epoxy resin and finishing using thermosetting powders. Colour: RAL7035 textured.

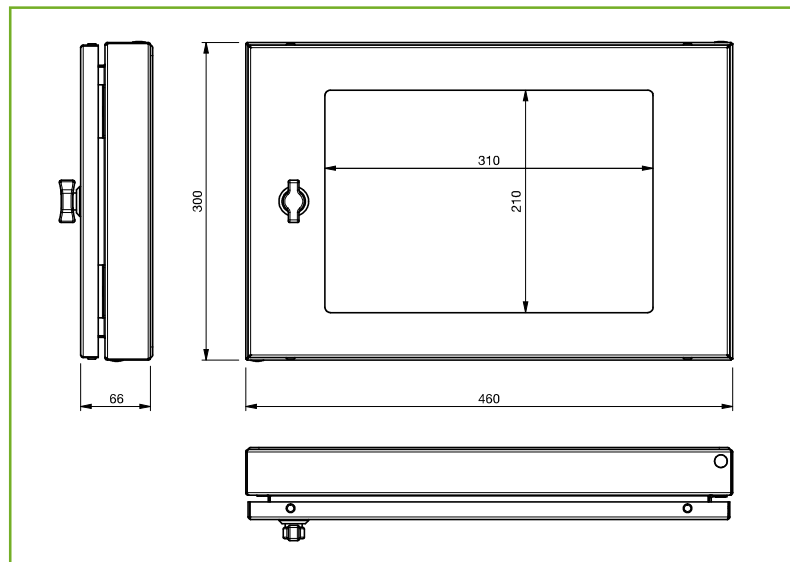


**PROTECTION RATING**

IP55 compliant with IEC EN62208 and EN60529.

Type 1, compliant with UL508A, UL50.

 Direct assembly on the door of casing with necessary machining, to be indicated in the order phase if required from the supplier.



Boxes

**ALUMINIUM WINDOW**

PRODUCT CODE	DIMENSIONS			CLEARANCE AVAILABLE
	B	A	P	
ECFA040040	400	400	30	326
ECFA040050	400	500	30	426
ECFA050070	500	700	30	626
ECFA060040	600	400	30	326
ECFA060060	600	600	30	522
ECFA060080	600	800	60	722
ECFA060120	600	1200	60	1122
ECFA080100	800	1000	60	922
ECFA080120	800	1200	60	1122



**CABLE ENTRY PLATE  
SOLID / LOUVERED / PERFORATED**

Made from sheet steel.  
Single piece complete with mounting accessories.

**PAINTING**

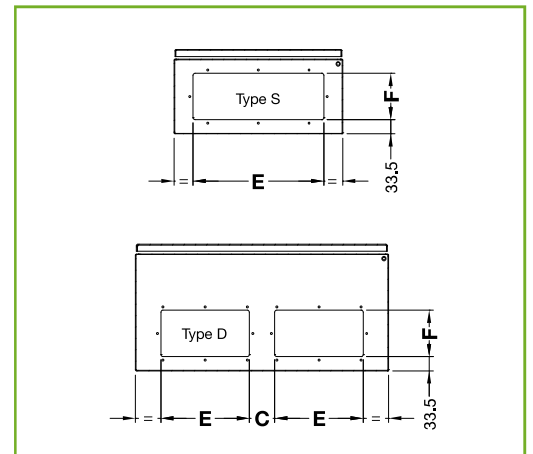
ETA standard finishing cycle: paint-based primer with deposition by cataphoresis with epoxy resin and finishing using thermosetting powders. Colour: RAL7035 textured.



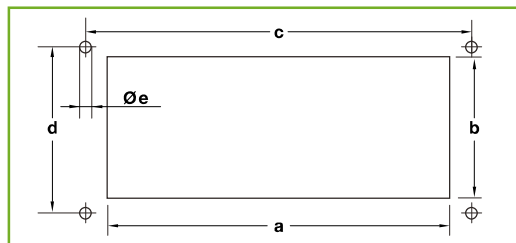
**CABLE ENTRY PLATE**

PRODUCT CODE			CABLE ENTRY		
SOLID VERSION	LOUVERED VERSION	PERFORATED VERSION	E	F	TYPE
ECIC0001	ECIA0001	ECIF0001	135	55	S
ECIC0002	ECIA0002	ECIF0002	210	55	S
ECIC0003	ECIA0003	ECIF0003	210	110	S
ECIC0004	ECIA0004	ECIF0004	310	110	S
Version with 2 spaces for flanges		ECIF0005	310	110	S
ECIC0003	ECIA0003	ECIF0003	210	110	D
ECIC0004	ECIA0004	ECIF0004	310	110	D
Version with 2 spaces for flanges		ECIF0005	310	110	D

ECIF and holes as per drawing and table below.



Boxes



ECRM0000



ECRM0012



ECRM0014



ECRM0022



ECRM0023



ECRM0029

**CABLE ENTRY FLANGE**

PRODUCT CODE	CABLE ENTRIES NR.	CABLE ENTRIES DIAMETERS	EXTERNAL DIM.			HOLE DIMENSIONS				
			B	A	P	a	b	c	d	e
ECRM0000	0									
ECRM0012	12	5,0 - 13,5								
ECRM0014	14	5,0 - 11,5								
ECRM0022	22	16 holes for 3,0 - 6,5 4 holes for 5,0 - 9,2 2 holes for 8,0 - 12,5	148	60	13,5	112	36	130	32	5
ECRM0023	23	4,0 - 8,5								
ECRM0029	29	4,0 - 7,0								

**CABLE ENTRY FLANGE**

**CHARACTERISTICS AND COMPOSITION**

The ECRM type cable entry flange is designed for simple and safe cables passage:

- A valid alternative for boxes in which the space on the casing is limited.
- The ultra-flexible entry mode supplies protection for a wide range of cables/diameters (from 5.0 to 13.0 mm).
- Special design of the rear sealing plate.
- Special adherence even if cables are removed.
- Used on the ECIF cables entry plate or fixed directly onto the E COR casing.
- Simple click&fit assembly or fixing with the aid of screws (not supplied).

**Material:**

- Frame: PA reinforced with glass fibre.
  - Cable entry protection membrane: Butyl Rubber.
  - Spacer: chloroprene.
  - Protective membrane: polyurethane.
  - Gasket: silicone or polyurethane.
- Temperature: -40 C +80 C. Colour: RAL7035.

**PROTECTION RATING**

IP65 compliant with IEC EN62208 and EN60529.  
Type 12, 13, 4X compliant with UL508A, UL50 (4X covers all diameters greater than 5.0 mm up to a specific maximum diameter).

**DEGREE OF FLAMMABILITY**

HB compliant with UL94.



**UNIVERSAL PLINTH**

**CHARACTERISTICS AND COMPOSITION**

Plinth made up of 2 front cross-pieces 2 lateral cross-pieces with integrated corner piece made from sheet steel.

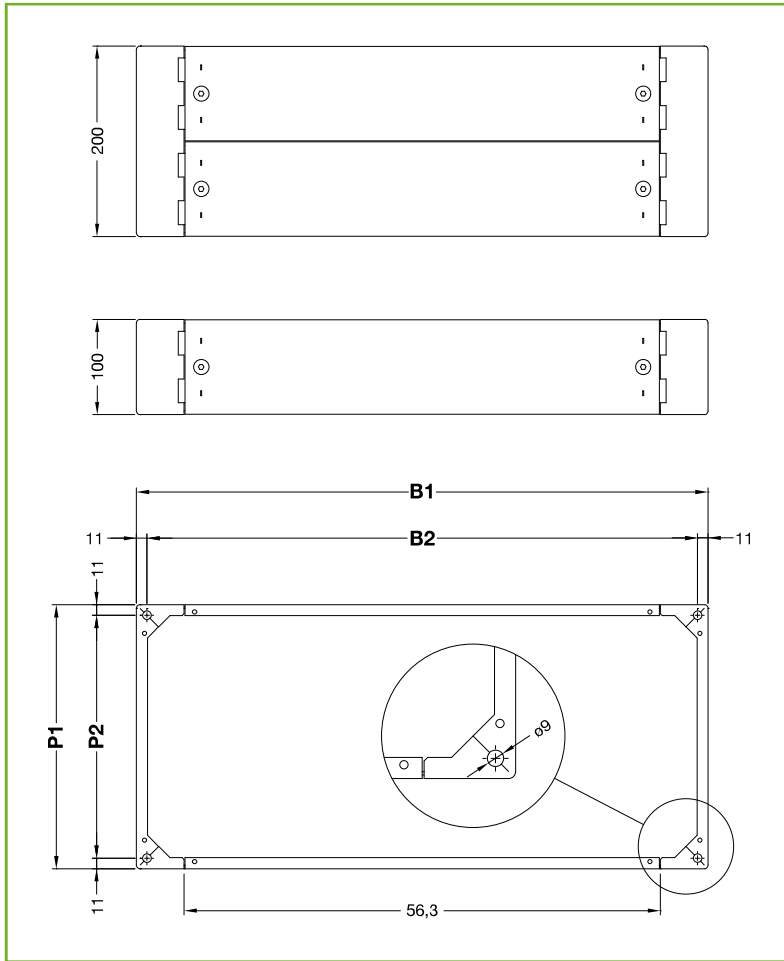
To order, select the pack of front crosspieces (2 pcs) and the pack of lateral crosspieces (2 pcs), including the mounting hardware.

**PAINTING**

ETA standard finishing cycle: paint-based primer with deposition by cataphoresis with epoxy resin and finishing using thermosetting powders. Colour: RAL5020 textured.



Enclosure machining required: indicate when ordering if requested from the supplier.



**MODULAR PLINTH**

ENCLOSURE		BASE				
B	P	B1	B2	B3	P1	P2
600	300	600	578	500	277	255
600	350	600	578	500	327	305
600	400	600	578	500	377	355
800	300	800	778	700	277	255
800	400	800	778	700	377	355
1000	300	1000	978	900	277	255
1200	300	1200	1178	1100	277	255

**SIDE CROSS-PIECES WITH INTEGRATED CORNER PIECE**

PRODUCT CODE	P	H
ECZP030010	300	100
ECZP035010	350	100
ECZP040010	400	100
ECZP030020	300	200
ECZP035020	350	200
ECZP040020	400	200

**FRONTAL CROSS-PIECES**

PRODUCT CODE	B	H
ECZP0600	600	100
ECZP0800	800	100
ECZP1000	1000	100
ECZP1200	1200	100

For plinth H=200, order 2 packs of frontal crosspieces.

Boxes



For any requirement following your purchase order, the spare parts listed in the table can be ordered.

**SPARE PARTS - E COR SHEET STEEL**

DIMENSIONS			SINGLE BLANK DOOR	DOUBLE BLANK DOOR		TRANSPARENT DOOR	SCREWED PANEL	MOUNTING PLATE	CABLES ENTRY PLATE		
L	H	P		STOPPED WITH LOCK	WITH STOPPING DEVICE				SOLID	LOUVERED	DRILLED
200	300	150	ECPO020030	–	–	–	ECPN020030	ECPA020030	ECIC0001	ECIA0001	ECIF0001
250	300	150	ECPO025030	–	–	–	ECPN025030	ECPA025030	ECIC0001	ECIA0001	ECIF0001
300	300	150	ECPO030030	–	–	–	ECPN030030	ECPA030030	ECIC0002	ECIA0002	ECIF0002
300	300	200	ECPO030030	–	–	–	ECPN030030	ECPA030030	ECIC0003	ECIA0003	ECIF0003
300	400	150	ECPO030040	–	–	–	ECPN030040	ECPA030040	ECIC0002	ECIA0002	ECIF0002
300	400	200	ECPO030040	–	–	–	ECPN030040	ECPA030040	ECIC0003	ECIA0003	ECIF0003
300	500	150	ECPO030050	–	–	–	ECPN030050	ECPA030050	ECIC0002	ECIA0002	ECIF0002
300	500	200	ECPO030050	–	–	–	ECPN030050	ECPA030050	ECIC0003	ECIA0003	ECIF0003
400	300	150	ECPO040030	–	–	ECPV040030	ECPN040030	ECPA040030	ECIC0002	ECIA0002	ECIF0002
400	300	200	ECPO040030	–	–	ECPV040030	ECPN040030	ECPA040030	ECIC0004	ECIA0004	ECIF0004
400	400	200	ECPO040040	–	–	ECPV040040	ECPN040040	ECPA040040	ECIC0004	ECIA0004	ECIF0004
400	500	150	ECPO040050	–	–	ECPV040050	ECPN040050	ECPA040050	ECIC0002	ECIA0002	ECIF0002
400	500	200	ECPO040050	–	–	ECPV040050	ECPN040050	ECPA040050	ECIC0004	ECIA0004	ECIF0004
400	500	250	ECPO040050	–	–	ECPV040050	ECPN040050	ECPA040050	ECIC0004	ECIA0004	ECIF0004
400	600	200	ECPO040060	–	–	ECPV040060	ECPN040060	ECPA040060	ECIC0004	ECIA0004	ECIF0004
400	600	250	ECPO040060	–	–	ECPV040060	ECPN040060	ECPA040060	ECIC0004	ECIA0004	ECIF0004
400	600	300	ECPO040060	–	–	ECPV040060	ECPN040060	ECPA040060	ECIC0004	ECIA0004	ECIF0004
400	600	350	ECPO040060	–	–	ECPV040060	ECPN040060	ECPA040060	ECIC0004	ECIA0004	ECIF0004
400	600	400	ECPO040060	–	–	ECPV040060	ECPN040060	ECPA040060	ECIC0004	ECIA0004	ECIF0004
500	500	200	ECPO050050	–	–	–	ECPN050050	ECPA050050	ECIC0004	ECIA0004	ECIF0004
500	500	250	ECPO050050	–	–	–	ECPN050050	ECPA050050	ECIC0004	ECIA0004	ECIF0004
500	500	300	ECPO050050	–	–	–	ECPN050050	ECPA050050	ECIC0004	ECIA0004	ECIF0004
500	600	150	ECPO050060	–	–	–	ECPN050060	ECPA050060	ECIC0002	ECIA0002	ECIF0002
500	700	200	ECPO050070	–	–	ECPV050070	ECPN050070	ECPA050070	ECIC0004	ECIA0004	ECIF0004
500	700	250	ECPO050070	–	–	ECPV050070	ECPN050070	ECPA050070	ECIC0004	ECIA0004	ECIF0004
600	400	200	ECPO060040	–	–	ECPV060040	ECPN060040	ECPA060040	ECIC0003	ECIA0003	ECIF0003 *
600	400	300	ECPO060040	–	–	ECPV060040	ECPN060040	ECPA060040	ECIC0003	ECIA0003	ECIF0003 *
600	600	200	ECPO060060	–	–	ECPV060060	ECPN060060	ECPA060060	ECIC0003	ECIA0003	ECIF0003 *
600	600	250	ECPO060060	–	–	ECPV060060	ECPN060060	ECPA060060	ECIC0003	ECIA0003	ECIF0003 *
600	600	300	ECPO060060	–	–	ECPV060060	ECPN060060	ECPA060060	ECIC0003	ECIA0003	ECIF0003 *
600	600	350	ECPO060060	–	–	ECPV060060	ECPN060060	ECPA060060	ECIC0003	ECIA0003	ECIF0003 *
600	600	400	ECPO060060	–	–	ECPV060060	ECPN060060	ECPA060060	ECIC0003	ECIA0003	ECIF0003 *
600	800	200	ECPO060080	–	–	ECPV060080	ECPN060080	ECPA060080	ECIC0003	ECIA0003	ECIF0003 *
600	800	250	ECPO060080	–	–	ECPV060080	ECPN060080	ECPA060080	ECIC0003	ECIA0003	ECIF0003 *
600	800	300	ECPO060080	–	–	ECPV060080	ECPN060080	ECPA060080	ECIC0003	ECIA0003	ECIF0003 *
600	800	350	ECPO060080	–	–	ECPV060080	ECPN060080	ECPA060080	ECIC0003	ECIA0003	ECIF0003 *
600	800	400	ECPO060080	–	–	ECPV060080	ECPN060080	ECPA060080	ECIC0003	ECIA0003	ECIF0003 *
600	1000	250	ECPO060100	–	–	ECPV060100	–	ECPA060100	ECIC0003	ECIA0003	ECIF0003 *
600	1000	300	ECPO060100	–	–	ECPV060100	–	ECPA060100	ECIC0003	ECIA0003	ECIF0003 *
600	1000	350	ECPO060100	–	–	ECPV060100	–	ECPA060100	ECIC0003	ECIA0003	ECIF0003 *
600	1000	400	ECPO060100	–	–	ECPV060100	–	ECPA060100	ECIC0003	ECIA0003	ECIF0003 *
600	1200	300	ECPO060120	–	–	ECPV060120	–	ECPA060120	ECIC0003	ECIA0003	ECIF0003 *
800	600	300	–	ECPO080060I	ECPO080060C	–	–	ECPA080060	ECIC0004	ECIA0004	ECIF0004
800	800	300	ECPO080080	–	–	ECPV080080	ECPN080080	ECPA080080	ECIC0004	ECIA0004	ECIF0004
800	800	400	ECPO080080	–	–	ECPV080080	ECPN080080	ECPA080080	ECIC0004	ECIA0004	ECIF0004
800	1000	250	ECPO080100	–	–	ECPV080100	–	ECPA080100	ECIC0004	ECIA0004	ECIF0004
800	1000	300	ECPO080100	–	–	ECPV080100	–	ECPA080100	ECIC0004	ECIA0004	ECIF0004
800	1000	400	ECPO080100	–	–	ECPV080100	–	ECPA080100	ECIC0004	ECIA0004	ECIF0004
800	1200	300	ECPO080120	–	–	ECPV080120	–	ECPA080120	ECIC0004	ECIA0004	ECIF0004
800	1200	400	ECPO080120	–	–	ECPV080120	–	ECPA080120	ECIC0004	ECIA0004	ECIF0004
1000	800	200	–	ECPO100080I	ECPO100080C	–	–	ECPA100080	ECIC0004	ECIA0004	ECIF0004
1000	800	300	–	ECPO100080I	ECPO100080C	–	–	ECPA100080	ECIC0004	ECIA0004	ECIF0004
1000	1000	300	–	ECPO100100I	ECPO100100C	–	–	ECPA100100	ECIC0004	ECIA0004	ECIF0004
1000	1200	300	–	ECPO100120I	ECPO100120C	–	–	ECPA100120	ECIC0004	ECIA0004	ECIF0004
1200	1000	300	–	ECPO120100I	ECPO120100C	–	–	ECPA120100	ECIC0004	ECIA0004	ECIF0004
1200	1200	300	–	ECPO120120I	ECPO120120C	–	–	ECPA120120	ECIC0004	ECIA0004	ECIF0004

Boxes

Option: \*  
**ECIF0005**  
with 2 spaces  
for flanges



**SCATTERGOOD  
& JOHNSON LTD**  
ELECTRICAL ENGINEERING & FLUID CONTROL DISTRIBUTORS

Est.1899

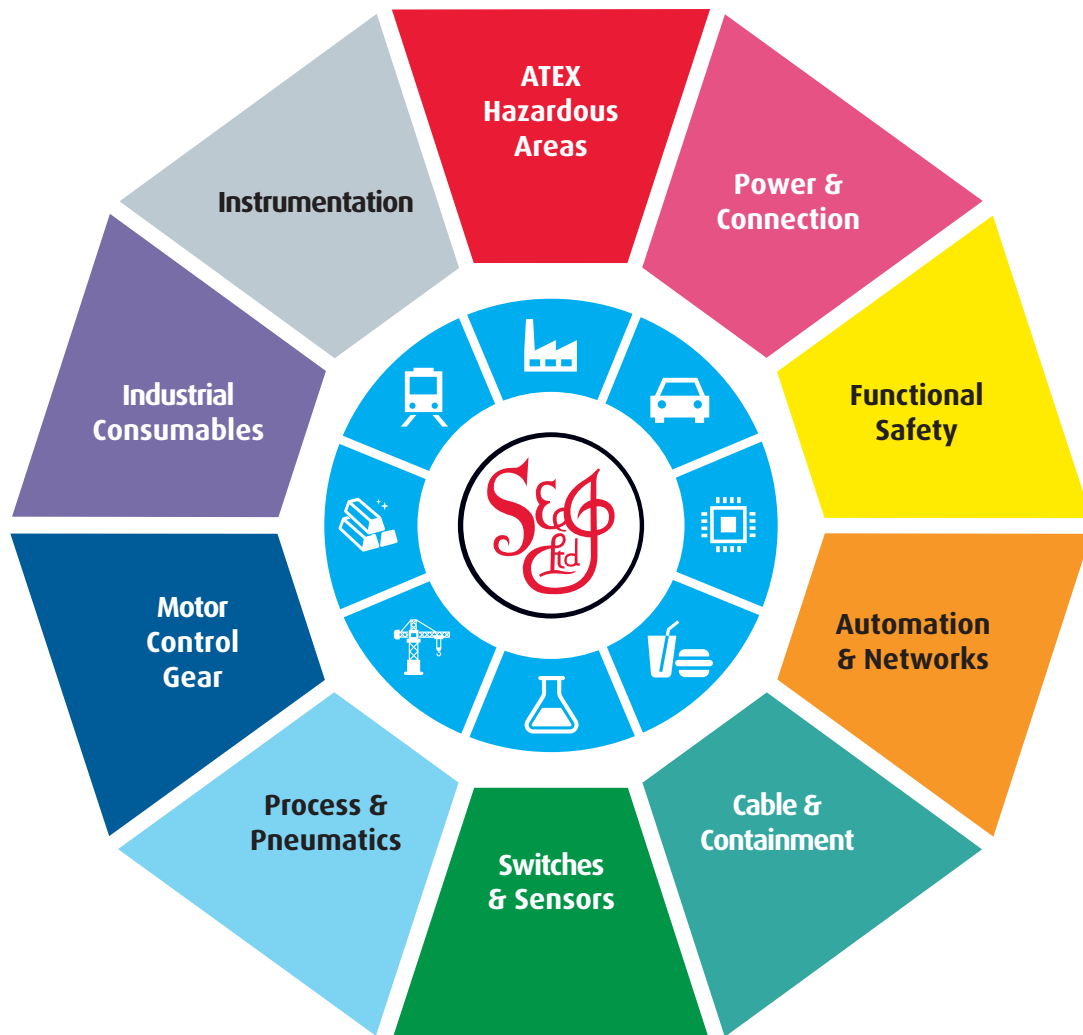
At Scattergood & Johnson Ltd, we pride ourselves on being a technical distributor to specialist industries.

Working with a range of quality product manufacturers across a number of specialist markets, we are not your average 'box shifter' - we are your technical and supply chain partner.

We fully support every product we sell - for free! Our internal team and external sales engineers can answer any product or application question, no matter the complexity.

Backing up this technical ability is a range of 50,000+ products available from stock for nationwide next day delivery (same day if required!), or you can collect what you need from any of our trade counters around the UK.

Select your specialist interest below to learn more about how we can help.



Online, In Branch and On the Road - Scattergood & Johnson Ltd, there when you need us.

**[www.scatts.co.uk](http://www.scatts.co.uk)**