

LED Einbauleuchte 250

LED recessed luminaire 250

LED Maschineneinbauleuchte mit 24V Betriebsspannung
LED recessed machine luminaire with 24V operating voltage

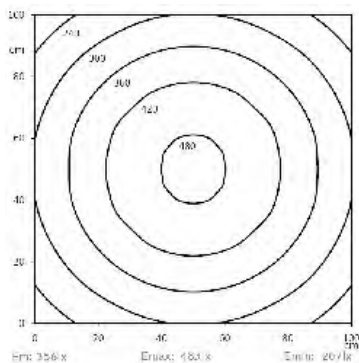


Einbauwandstärke: ≤ 3mm
Installation wall thickness: ≤ 3mm

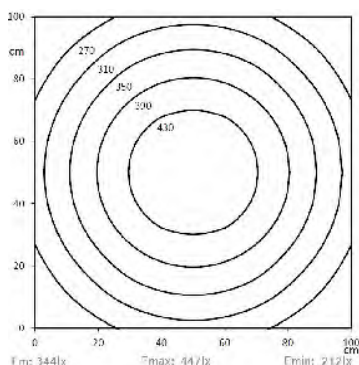
Lichtverteilung | Light distribution

Lichtpunkthöhe | Light source height: 100cm

PMMA diffus | PMMA diffuse



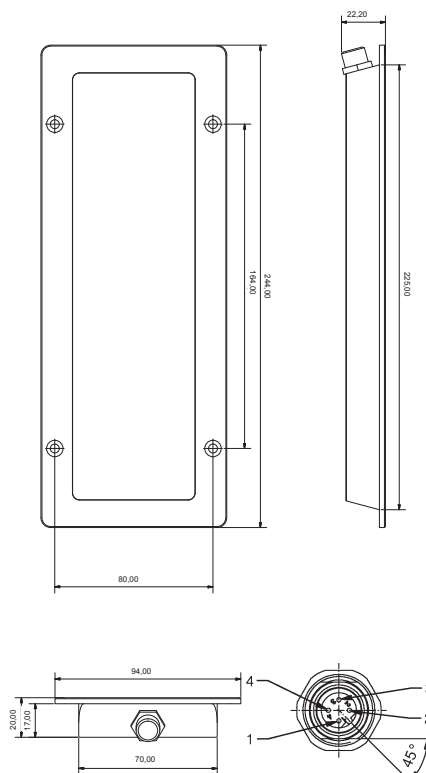
ESG diffus | Single-pane-safety glass clear



Dimensionierung | Dimensions

Maximaler Durchmesser |
Maximum diameter: Ø 8,8 mm

Senkkopfschraube |
Countersunk screw: 90°



Technische Daten | Technical data

Leistungsaufnahme:	14W
Power consumption:	14W
Anschlusswert:	24V DC (-10%/+15%)
Connection value:	24V DC (-10%/+15%)
Anschlussart:	M12 Steckverbinder* oder 3m Kabel
Connection type:	M12 connector* or 3m cable
Gehäuse:	Aluminium eloxiert
Housing:	Anodised aluminium
Schutzart:	IP67
Protection rating:	IP67
Schutzklasse:	III
Protection class:	III
Abdeckung:	ESG klar, PMMA diffus oder ESG diffus
Cover:	PMMA diffuse, single- pane safety glass diffuse or single-pane safety glass clear
Farbtreue:	Ra / CRI ≥ 80
Colour rendering:	Ra / CRI ≥ 80
Lebensdauer:	min. 60 000h
Service life:	min. 60 000h
Lichtstrom:	ca. 1608 lm
Luminous flux:	Approx. 1608 lm
Max. Umgebungstemperatur:	-20°C / +45°C
Max. ambient temperature:	-20°C / +45°C
Belegung:	1 = DC (+) br br
Pin assignment:	2 = Eco (DC+) ws wh
	3 = DC (-) bl bl
	4 = NC

Normen / Approbationen Standards / approvals

DIN EN 55015 (EMV)
DIN EN 61547 (EMV)
DIN EN 60598-1
DIN EN 62471



E-Mail
sales@sangel.com

Hotline
+49 521.911750

Sangel-Bezeichnung Sangel description	Katalognr. Catalogue no.	Abdeckung Cover	Optik Optics	Anschlussart Connection type	Lichtfarbe Colour temperature
250 DIFF-0-3M-55	12080073	PMMA diffus PMMA diffuse	ohne Optik, 120° without optics, 120°	3m Kabel 3m cable	5.700K
250 ESGd-0-3M-55	12080074	ESG diffus Single-pane safety glass diffuse	ohne Optik, 120° without optics, 120°	3m Kabel 3m cable	5.700K
250 ESGk-0-3M-55	12080075	ESG klar Single-pane safety glass clear	ohne Optik, 120° without optics, 120°	3m Kabel 3m cable	5.700K
250 DIFF-0-M12-55	12080076	PMMA diffus PMMA diffuse	ohne Optik, 120° without optics, 120°	M12 Steckverbinder* M12 connector*	5.700K
250 ESGd-0-M12-55	12080077	ESG diffus Single-pane safety glass diffuse	ohne Optik, 120° without optics, 120°	M12 Steckverbinder* M12 connector*	5.700K
250 ESGk-0-M12-55	12080078	ESG klar Single-pane safety glass clear	ohne Optik, 120° without optics, 120°	M12 Steckverbinder* M12 connector*	5.700K
250 DIFF-0-3M-40	12080079	PMMA diffus PMMA diffuse	ohne Optik, 120° without optics, 120°	3m Kabel 3m cable	4.000K
250 ESGd-0-3M-40	12080080	ESG diffus Single-pane safety glass diffuse	ohne Optik, 120° without optics, 120°	3m Kabel 3m cable	4.000K
250 ESGk-0-3M-40	12080081	ESG klar Single-pane safety glass clear	ohne Optik, 120° without optics, 120°	3m Kabel 3m cable	4.000K
250 DIFF-0-M12-40	12080082	PMMA diffus PMMA diffuse	ohne Optik, 120° without optics, 120°	M12 Steckverbinder* M12 connector*	4.000K
250 ESGd-0-M12-40	12080083	ESG diffus Single-pane safety glass diffuse	ohne Optik, 120° without optics, 120°	M12 Steckverbinder* M12 connector*	4.000K
250 ESGk-0-M12-40	12080084	ESG klar Single-pane safety glass clear	ohne Optik, 120° without optics, 120°	M12 Steckverbinder* M12 connector*	4.000K

*Die passenden Anschlussleitungen finden Sie auf Seite 73. | The corresponding connection cables can be found on page 73.

Technische Änderungen vorbehalten. Lichtstrom und Lichtfarbe können variieren.
Subject to technical changes. The luminous flux and colour temperature may vary.

SANGEL[®]
Systemtechnik



**SCATTERGOOD
& JOHNSON LTD**
ELECTRICAL ENGINEERING & FLUID CONTROL DISTRIBUTORS

Est.1899

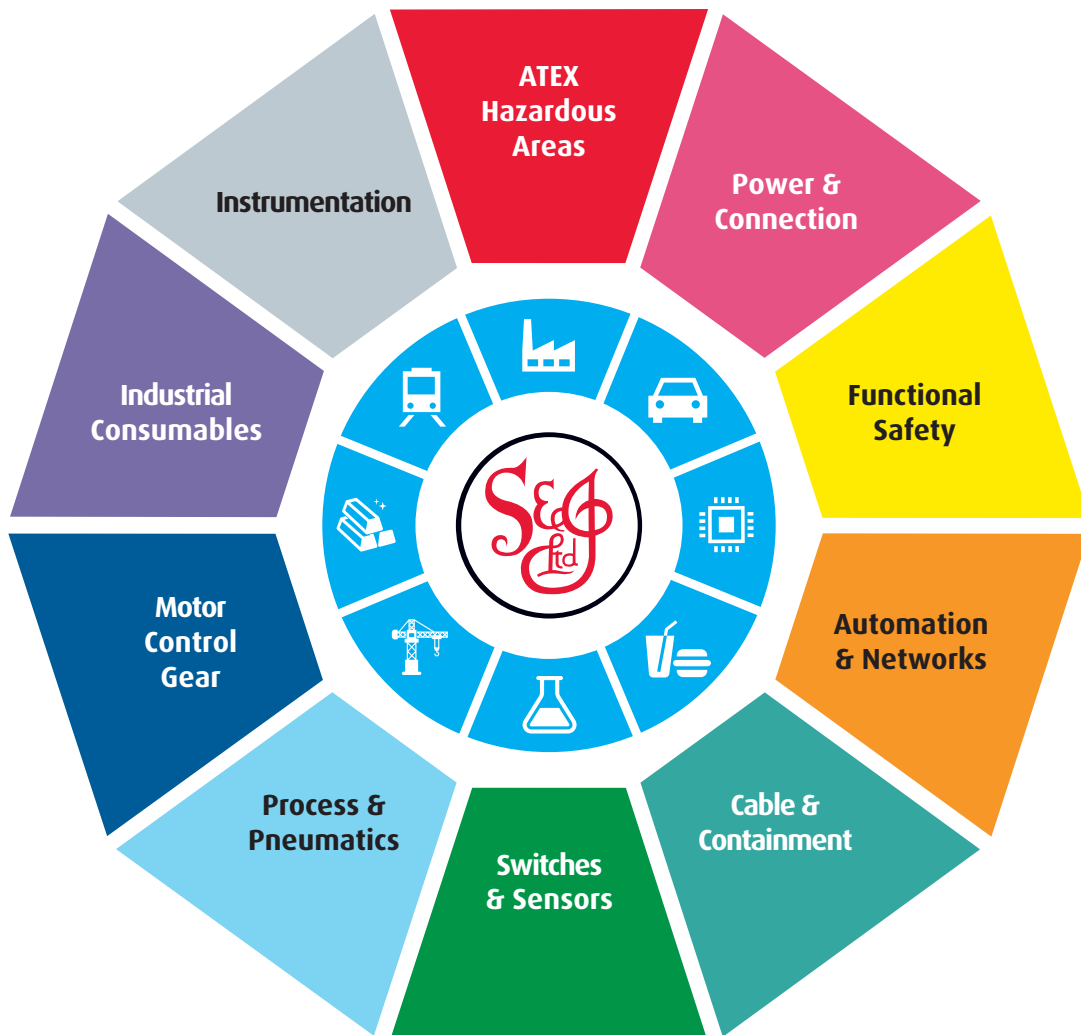
At Scattergood & Johnson Ltd, we pride ourselves on being a technical distributor to specialist industries.

Working with a range of quality product manufacturers across a number of specialist markets, we are not your average 'box shifter' - we are your technical and supply chain partner.

We fully support every product we sell - for free! Our internal team and external sales engineers can answer any product or application question, no matter the complexity.

Backing up this technical ability is a range of 50,000+ products available from stock for nationwide next day delivery (same day if required!), or you can collect what you need from any of our trade counters around the UK.

Select your specialist interest below to learn more about how we can help.



Online, In Branch and On the Road - Scattergood & Johnson Ltd, there when you need us.

www.scatts.co.uk