

LED Aufbauleuchte ELN LED surface mounted luminaires ELN

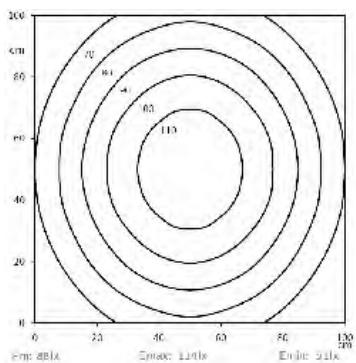
LED Maschinenleuchte in Linienform mit 24V Betriebsspannung
LED machine luminaire line shaped with 24V operating voltage.



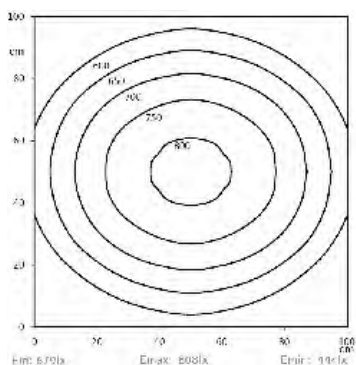
Lichtverteilung | Light distribution

Lichtpunkthöhe | Light source height: 100cm

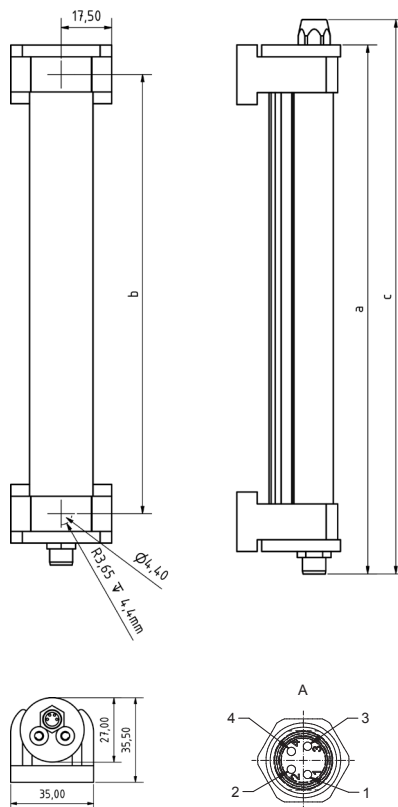
ELN 140



ELN 1120



Dimensionierung | Dimensions



Technische Daten | Technical data

Anschlusswert: Connection value:	24V DC (-10%/+15%) 24V DC (-10%/+15%)
Anschlussart: Connection type:	M8 Steckverbinder* M8 connector*
Gehäuse: Housing:	Aluminium eloxiert, Kunststoffhalterung Anodised aluminium, plastic mounting
Schutzart: Protection rating:	IP54 IP54
Schutzklasse: Protection class:	III III
Abdeckung: Cover:	Polymethylmetacrylat Polymethylmetacrylat
Farbtreue: Colour rendering:	Ra / CRI ≥ 80 Ra / CRI ≥ 80
Lebensdauer: Service life:	min. 60 000h min. 60 000h
Max. Umgebungstemperatur: Max. ambient temperature:	-20°C / +45°C -20°C / +45°C
Optik: Optics:	ohne Optik, 120° without optics, 120°
Belegung: Pin assignment:	1 = DC (+) br br 2 = NC 3 = DC (-) bl bl 4 = NC

Normen / Approbationen Standards / Approvals

- DIN EN 55015 (EMV)
- DIN EN 61547 (EMV)
- DIN EN 60598-1
- DIN EN 62471





Sangel-Bezeichnung Sangel description	Katalognr. Catalogue no.	Länge Length	Anschlussart Connection type	Lichtfarbe Colour temperature	Leistungsaufnahme Power consumption	Lichtstrom Luminous flux
--	-----------------------------	-----------------	---------------------------------	----------------------------------	--	-----------------------------

Drehbare Halterung | Turnable mounting

ELN140 D-DIFF-0-M8-55	15070243	a: 175,0mm b: 149,0mm	M8 Steckverbinder* M8 connector*	5.700K	4,7W	ca. 603 lm
ELN280 D-DIFF-0-M8-55	15070244	a: 315,0mm b: 289,0mm	M8 Steckverbinder* M8 connector*	5.700K	9,4W	ca. 1206 lm
ELN420 D-DIFF-0-M8-55	15070245	a: 455,0mm b: 429,0mm	M8 Steckverbinder* M8 connector*	5.700K	14,1W	ca. 1809 lm
ELN560 D-DIFF-0-M8-55	15070246	a: 595,0mm b: 569,0mm	M8 Steckverbinder* M8 connector*	5.700K	18,8W	ca. 2412 lm
ELN700 D-DIFF-0-M8-55	15070247	a: 735,0mm b: 709,0mm	M8 Steckverbinder* M8 connector*	5.700K	23,5W	ca. 3015 lm
ELN840 D-DIFF-0-M8-55	15070248	a: 875,0mm b: 849,0mm	M8 Steckverbinder* M8 connector*	5.700K	28,2W	ca. 3618 lm
ELN980 D-DIFF-0-M8-55	15070249	a: 1015,0mm b: 989,0mm	M8 Steckverbinder* M8 connector*	5.700K	32,9W	ca. 4221 lm
ELN1120 D-DIFF-0-M8-55	15070250	a: 1155,0mm b: 1129,0mm	M8 Steckverbinder* M8 connector*	5.700K	37,6W	ca. 4824 lm

Drehbare Halterung mit zweitem Flansch zum Durchschleifen | Turnable mounting with second flange for loop through

ELN140-D-DIFF-0-M8D-55	15070311	b: 149,0 mm c: 183,5 mm	M8 Steckverbinder* M8 connector*	5.700K	4,7W	ca. 603 lm
ELN280 D-DIFF-0-M8D-55	15070312	b: 289,0 mm c: 323,5 mm	M8 Steckverbinder* M8 connector*	5.700K	9,4W	ca. 1206 lm
ELN420 D-DIFF-0-M8D-55	15070313	b: 429,0 mm c: 463,5 mm	M8 Steckverbinder* M8 connector*	5.700K	14,1W	ca. 1809 lm
ELN560 D-DIFF-0-M8D-55	15070314	c: 569,0 mm c: 603,5 mm	M8 Steckverbinder* M8 connector*	5.700K	18,8W	ca. 2412 lm
ELN700 D-DIFF-0-M8D-55	15070315	b: 709,0 mm c: 743,5 mm	M8 Steckverbinder* M8 connector*	5.700K	23,5W	ca. 3015 lm
ELN840 D-DIFF-0-M8D-55	15070316	b: 849,0 mm c: 883,5 mm	M8 Steckverbinder* M8 connector*	5.700K	28,2W	ca. 3618 lm
ELN980 D-DIFF-0-M8-55	15070317	b: 989,0 mm c: 1023,5 mm	M8 Steckverbinder* M8 connector*	5.700K	32,9W	ca. 4221 lm

Hinweis: Bei durchschleifender Verbindung 33W Gesamtleistung nicht überschreiten.

Note: Do not exceed 33W of total power consumption when doing loop-through connection.

*Die passenden Anschlussleitungen finden Sie auf Seite 72. | The corresponding connection cables can be found on page 72.

Technische Änderungen vorbehalten. Lichtstrom und Lichtfarbe können variieren.
Subject to technical changes. The luminous flux and colour temperature may vary.

SANGEL[®]
Systemtechnik



**SCATTERGOOD
& JOHNSON LTD**
ELECTRICAL ENGINEERING & FLUID CONTROL DISTRIBUTORS

Est.1899

At Scattergood & Johnson Ltd, we pride ourselves on being a technical distributor to specialist industries.

Working with a range of quality product manufacturers across a number of specialist markets, we are not your average 'box shifter' - we are your technical and supply chain partner.

We fully support every product we sell - for free! Our internal team and external sales engineers can answer any product or application question, no matter the complexity.

Backing up this technical ability is a range of 50,000+ products available from stock for nationwide next day delivery (same day if required!), or you can collect what you need from any of our trade counters around the UK.

Select your specialist interest below to learn more about how we can help.



Online, In Branch and On the Road - Scattergood & Johnson Ltd, there when you need us.

www.scatts.co.uk