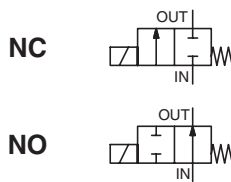




SOLENOID VALVES

direct operated
for low pressure fluids
3/8 to 3/4



2/2
Series
030

FEATURES

- For gas pilot control on industrial power boilers and low pressure gas control on gas-fired ovens and furnaces
- The normally open type is particularly suited for venting systems in gas installations
- Brass bodied low pressure valves designed to provide maximum flow
- Direct lift solenoid valves have a resilient soft seating for absolute tight shut-off on low pressures
- The solenoid valves do not require a minimum operating pressure
- The solenoid valves satisfy all relevant EU directives

GENERAL

Differential pressure See «SPECIFICATIONS» [1 bar =100 kPa]
Response time 5 - 40 ms

fluids (*)	temperature range (TS)	seal materials (*)
air, gas, water	-20°C to +90°C	NBR (nitrile)

MATERIALS IN CONTACT WITH FLUID

(*) Ensure that the compatibility of the fluids in contact with the materials is verified

Body	Brass
Core tube	Stainless steel
Core and plugnut	Stainless steel
Core spring	Stainless steel
Seat	Brass
Seals	NBR
Discs	NBR
Shading coil	Copper

ELECTRICAL CHARACTERISTICS

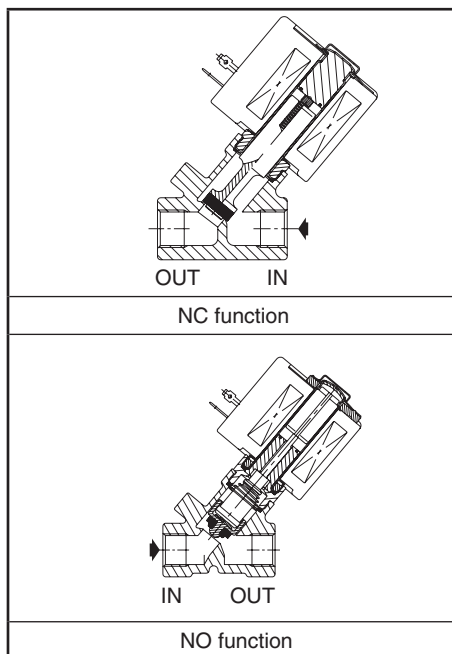
Coil insulation class F
Connector Spade plug (cable Ø 6-10 mm)
Connector specification ISO 4400 / EN 175301-803, form A
Electrical safety IEC 335
Electrical enclosure protection Moulded IP65 (EN 60529)
Standard voltages DC (=) : 24V - 48V
(Other voltages and 60 Hz on request) AC (~) : 24V - 48V - 115V - 230V / 50 Hz

prefix option	power ratings				operator ambient temperature range (TS) (C°)	replacement coil		type ⁽¹⁾
	inrush ~	holding ~	hot/cold =			~	=	
	(VA)	(VA)	(W)	(W)		230 V/50 Hz	24 V DC	
SC	34	15,6	6	7 / 9,7	-20 to +75	400325-117	400325-142	01
	55	23	10,5	9/11,2	-20 to +75	400425-117	400425-142	02
	78	35	16,7	-	-20 to +50	400425-217	-	02
	110	33,6	15,4	12/16,8	-20 to +75	400525-117	400625-142	03
	240	43	20	-	-20 to +50	400525-217	-	03

⁽¹⁾ Refer to the dimensional drawings on the following page.

SPECIFICATIONS

pipe size	orifice size	flow coefficient Kv		min.	operating pressure differential (bar)				power coil (W)		catalogue number	options			
					max. (PS)							maintained man. operator	FPM	EPDM	CR
					air/gas (*)		water (*)								
Rp	(mm)	(m³/h)	(l/min)		~	=	~	=	~	=	~/=				
NC - Normally closed															
3/8	9	1,5	25	0	0,5	0,2	0,35	0,2	6	9,7	SCE030B010	-	V	E	J
					1	0,25	1	0,25	10,5	11,2	SCE030B013	-	V	E	J
1/2	11	2,4	40	0	0,3	-	0,4	-	6	-	SCE030A016	-	V	E	J
					1	0,4	1	0,4	15,4	16,8	SCE030A017	-	V	E	J
3/4	19	4,3	71,7	0	0,15	0,07	0,15	0,07	10,5	11,2	SCE030B003	-	V	E	J
					0,3	-	0,3	-	16,7	-	SCE030B043	-	V	E	J
NO - Normally open															
3/8	9	1,4	23,3	0	1	0,17	1	0,15	15,4	16,8	SCE030A070	-	V	E	J
1/2	11	1,9	31,7	0	1	0,17	1	0,15	20	16,8	SCE030A071	-	V	E	J



OPTIONS

- Valves can also be supplied with FPM (fluoroelastomer), EPDM (ethylene-propylene) and CR (chloroprene) seals and discs. Use the appropriate optional suffix letter for identification
- Several worldwide gas approvals, see combustible gas section
- Waterproof enclosure with embedded screw terminal coil according to protection class IP67, CEE-10
- Explosionproof enclosures for use in zones 1/21-2/22, categories 2-3 to ATEX Directive 2014/34/EU (see "Explosionproof solenoids" section)
- Electrical enclosures according to "NEMA" standards are available
- Compliance with "UL", "CSA" and other local approvals available on request
- Mounting brackets, suffix MB
- Other pipe connections are available on request
- Plug with visual indication and peak voltage suppression or with cable length of 2 m (see Solenoids, Coils & Accessories section)

INSTALLATION

- The solenoid valves can be mounted in any position without affecting operation
- Pipe connection identifier is E = Rp (ISO 7/1)
- Installation/maintenance instructions are included with each valve

SPARE PARTS KIT & ACCESSORIES

catalogue number	spare parts kit no.		mounting bracket no.
	~	=	
SCE030B003	C302791	C302818	038713-000
SCE030B010	C302787	C302815	093200-001
SCE030B013	C302788	C302816	093200-001
SCE030A016	C302789	-	093200-001
SCE030A017	C302790	C302817	093200-001
SCE030B043	C302791	-	038713-000
SCE030A070	C302797	C302824	093200-001
SCE030A071	C302798	C302824	093200-001

⁽¹⁾ Standard prefixes/suffixes are also applicable to kits.
- Not available

ORDERING EXAMPLES:

SC	E	030	B	003	230V / 50 Hz
SC	E	030	B	013	MO 115V / 50 Hz
SC	E	030	A	017	V 24V / DC
SC	E	030	A	071	230V / 50 Hz

prefix: SC, pipe thread: E, basic number: 030, voltage: 230V / 50 Hz, suffix: MO, V

ORDERING EXAMPLES KITS:

C302791 ⁽¹⁾	
C302816	V
C302817	E

basic number: C302791, C302816, C302817; suffix: V, E

DIMENSIONS (mm), WEIGHT (kg)

TYPE 01-02-03

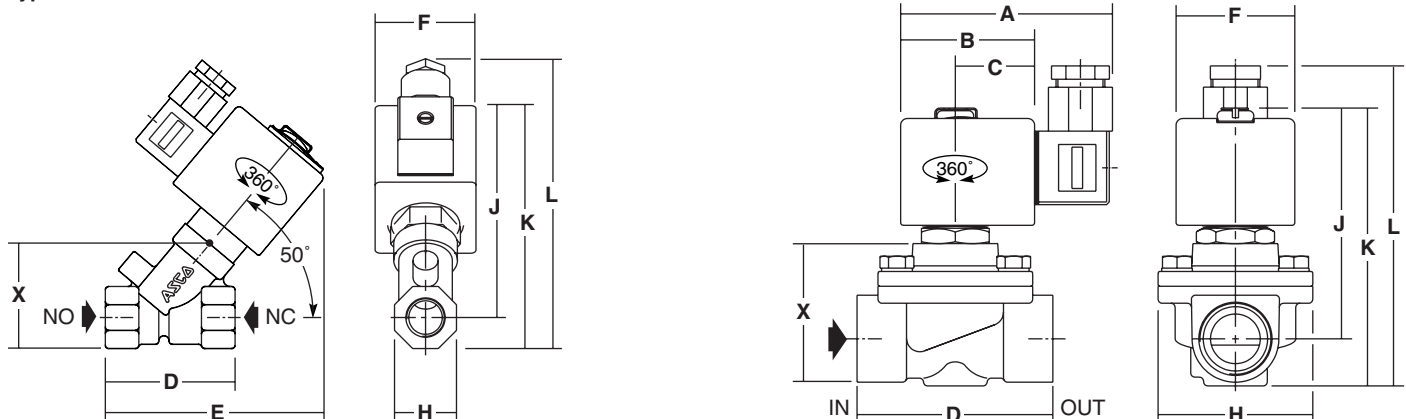
Prefix "SC" Solenoid
Epoxy moulded
IEC 335 / ISO 4400
IP65

Type 01: SCE030B010/A016
Type 02: SCE030B013
Type 03: SCE030A017/A070/A071


TYPE 02

Prefix "SC" Solenoid
Epoxy moulded
IEC 335 / ISO 4400
IP65

SCE030B003/B043



type	prefix option	catalogue number	A	B	C	D	E	F	H	J	K	L	X	weight ⁽²⁾
01	SC	SCE030B010	-	-	-	48	75	39	22	77	88	122	36	0,5
		SCE030A016	-	-	-	58	87	39	28	82	96	130	49	0,5
02	SC	SCE030B013	-	-	-	48	80	45	22	84	95	126	36	0,5
		SCE030B003 / B043	80	50	30	73	-	45	58	87	104	114	54	0,9
03	SC	SCE030A017	-	-	-	58	98	50	28	94	108	128	42	0,9
		SCE030A070	-	-	-	48	88	50	22	97	108	126	36	0,7
		SCE030A071	-	-	-	58	108	50	28	99	113	131	42	0,8

⁽²⁾ including coil and connector.

All leaflets are available on: www.asco.com



**SCATTERGOOD
& JOHNSON LTD**
ELECTRICAL ENGINEERING & FLUID CONTROL DISTRIBUTORS

Est.1899

At Scattergood & Johnson Ltd, we pride ourselves on being a technical distributor to specialist industries.

Working with a range of quality product manufacturers across a number of specialist markets, we are not your average 'box shifter' - we are your technical and supply chain partner.

We fully support every product we sell - for free! Our internal team and external sales engineers can answer any product or application question, no matter the complexity.

Backing up this technical ability is a range of 50,000+ products available from stock for nationwide next day delivery (same day if required!), or you can collect what you need from any of our trade counters around the UK.

Select your specialist interest below to learn more about how we can help.



Online, In Branch and On the Road - Scattergood & Johnson Ltd, there when you need us.

www.scatts.co.uk