

AF116(B)-40(RT), AF140(B)-40(RT)
 AF(S)116(B)-30(RT), AF140(B)-30(RT), AF(S)146(B)-30(RT)
 CAL19-11(RT), CAL19-11B(RT), CEL19-10(RT), CEL19-01(RT)

1SFC10003M0201 Jan 2020

1/5

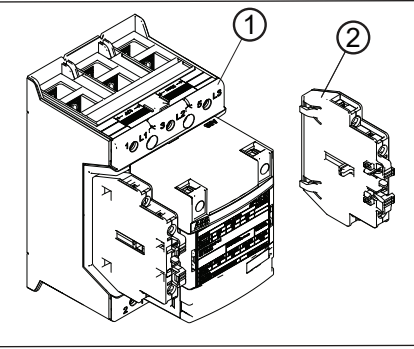
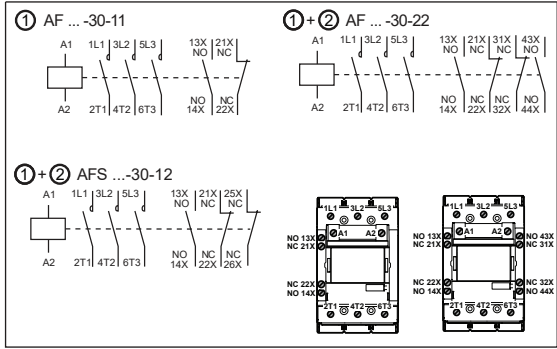
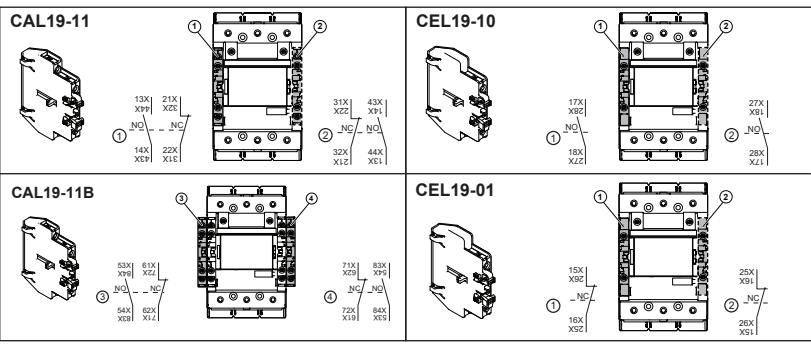
Operating instructions	Contactors	Auxiliary contacts
Betriebsanleitung	Schutze	Hilfsschalter
Notice d'instructions	Contacteurs	Contactsauxiliaires
Instruktion	Kontaktorer	Kontaktblock
Istruzioni tecniche	Contattori	Contatti ausiliari
Instrucciones de empleo	Contactores	Contatti auxiliares
操作说明	接触器	辅助触头
Инструкция по эксплуатации	Контакты	Вспомогательные контакты



ar	تخدير: جهد كهربائي خطرا! راجع تعليمات التشغيل. افصل الكهرباء وقم بتأمينها قبل العمل في هذا الجهاز تنبيه! يجب عدم التركيب إلا من خلال شخص على دراية بمجال التقنية الكهربائية .
bg	Предупреждение: Опасно напрежение! Вижте инструкциите за работа. Изключете и блокирайте захранването преди да работите с устройството. Внимание! Да се монтира само от експерт електротехник.
cs	Varování: Nebezpečné napětí! Viz návod k obsluze. Před zahájením prací na tomto zařízení odpojte a uzamkněte napájení. Pozor! Toto zařízení smí instalovat pouze osoba s elektrotechnickou odborností.
da	Advarsel: Farlig elektrisk spænding! Se betjeningsvejledningen. Frakobl enheden, og afbryd strømforsyningen, før du arbejder med denne enhed. Giv agt! Installation må kun foretages af personer med elektroteknisk ekspertise.
de	Warnung: Gefährliche Spannung! Siehe Bedienungsanleitung. Vor dem Arbeiten Gerät ausschalten und von der Spannungsversorgung trennen. Achtung! Installation nur durch elektrotechnische Fachkraft.
el	Προειδοποίηση: Επικίνδυνη τάση! Ανατρέξτε στις οδηγίες λειτουργίας. Αποσυνδέστε και απομονώστε την παροχή ισχύος προτού ξε κινήσετε τις εργασίες σε αυτήν τη συσκευή. Προσοχή! Η εγκατάσταση πρέπει να γίνεται μόνο από αδειούχο ηλεκτρολόγο εγκαταστάτη.
en	Warning: Hazardous voltage! Refer to operating instructions. Disconnect and lock out power before working on this device. Attention! Installation by person with electrotechnical expertise only.
es	Advertencia: ¡Tensión peligrosa! Consulte las instrucciones de funcionamiento. Antes de trabajar con este dispositivo, desconecte y bloquee la corriente. ¡Atención! La instalación debe ser realizada únicamente por un técnico electricista.
et	Hoiatus: Elektrilöögi oht! Lisateavet vaadake kasutusjuhendist. Enne selle seadmega töötamist ühendage lahti ja lukustage toide. Tähelepanu! Seadet tohib paigaldada ainult elektrotehnilise kogemusega isik.
fi	Varoitus: Vaarallinen jännite! Katso käyttöohje. Katkaise virta ja estä virran kytkeminen lukituksella ennen töiden aloittamista. Huomio! Asennuksen saa suorittaa vain henkilö, jolla on kokemusta sähkötekniikasta.
fr	Avertissement: Tension dangereuse! Consultez les consignes d'utilisation. Débranchez et verrouillez l'alimentation électrique avant d'entreprendre des travaux sur cet appareil. Attention! L'installation doit être effectuée uniquement par une personne ayant une expertise en électrotechnique.
hr	Upozorenje: Opasan napon! Pogledajte upute za uporabu. Odspojite i isključite struju prije rada na ovom uređaju. Pažnja! Ugradnja je dopuštena samo osobama stručnim u području elektrotehnike.
hu	Figyelmeztetés: Veszélyes feszültség! Lásd a használati utasítást. Vállassza le és zárja ki az áramellátást, mielőtt a berendezésen dolgozni kezd. Figyelem! Az üzembe helyezést csak elektrotechnikai szakértelemmel rendelkező személy végezheti el.
it	Attenzione: Tensione pericolosa! Fare riferimento alle istruzioni per l'uso. Prima di intervenire su questo dispositivo, scollegare e isolare tutte le fonti di alimentazione. Attenzione! L'installazione deve essere eseguita esclusivamente da un installatore qualificato.
lt	Įspėjimas: Pavojinga įtampa! Žr. naudojimo instrukcijas. Atjunkite ir laikinai užblokuokite maitinimą prieš dirbdami su šiuo įrenginiu. Dėmesio! Įrengti gali tik asmuo, turintis elektrotechniko patirties.

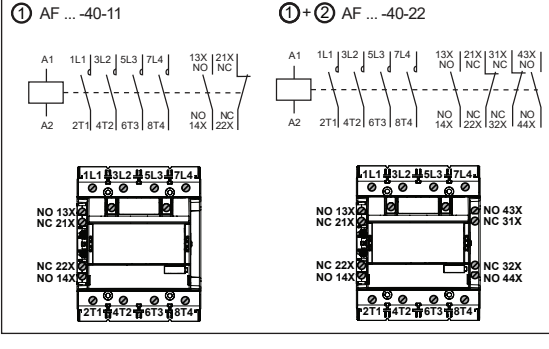


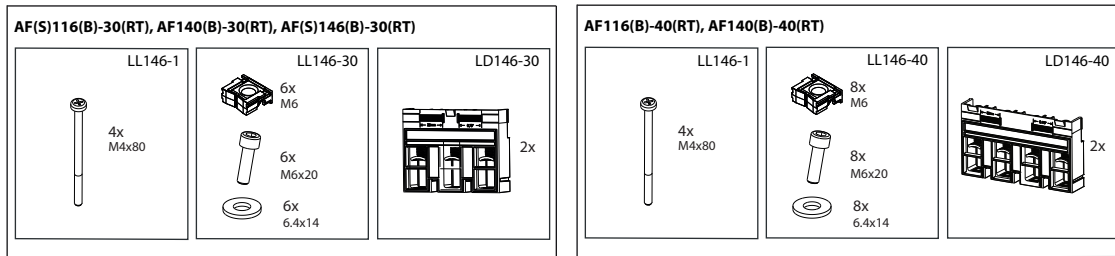
- lv Brīdinājums: Bīstams spriegums!
Skatiet darba norādījumus.
Pirms sākat darbu ar šo ierīci, atvienojiet un bloķējiet strāvas padevi.
Uzmanību! Uzstādīšanu drīkst veikt tikai persona ar zināšanām par elektrotehniku.
- nl Waarschuwing: Gevaarlijke spanning!
Raadpleeg de bedieningsinstructies.
Koppel dit apparaat los van de stroomvoorziening voordat u werkzaamheden uitvoert.
Let op! Installatie mag alleen worden uitgevoerd door een monteur met elektrotechnische expertise.
- no Advarsel: Farlig spenning!
Se i bruksanvisningen.
Koble fra og steng av strømmen før du arbeider på denne enheten.
Forsiktig! Montering skal kun utføres av kvalifiserte personer med elektrokompetanse.
- pl Ostrzeżenie: Niebezpieczne napięcie!
Patrz: instrukcja obsługi.
Przed rozpoczęciem wykonywania pracy z tym urządzeniem odłącz i zablokuj zasilanie.
Uwaga! Montaż może wykonywać wyłącznie osoba posiadająca doświadczenie elektrotechniczne.
- pt Aviso: Tensão perigosa!
Consulte as instruções de operação.
Desconecte e desligue a energia elétrica antes de trabalhar nesse dispositivo.
Atenção! A instalação deve ser feita apenas por uma pessoa com especialidade eletrotécnica.
- ro Avertisment: Tensiune electrică periculoasă!
Consultați instrucțiunile de utilizare.
Deconectați și închideți sursa de energie înainte de a lucra cu acest dispozitiv.
Atenție! Instalarea trebuie realizată doar de către o persoană cu expertiză electrotehnică.
- ru Внимание: Опасное электрическое напряжение!
Обратитесь к инструкциям по эксплуатации.
Отключите питание и обесточьте устройство перед началом работ.
Внимание! Установка должна выполняться только специалистом по электротехническим работам.
- sk Výstraha: Nebezpečné napätie!
Pozrite si návod na použitie.
Pred začatím prác na tomto zariadení odpojte a zablokujte napájanie.
Pozor! Inštaláciu smie vykonávať len osoba s odbornými znalosťami v oblasti elektrotechniky.
- sl Opozorilo: Nevarna napetost!
Glejte navodila za uporabo.
Pred delom na tej napravi izklopite in zaklenite električno napajanje.
Pozor! Namestitvev sme izvesti samo elektrotehnični strokovnjak.
- sv Varning: Livsfarlig spänning!
Se i bruksanvisningen.
Frånkoppla och blockera anläggning eller en anläggningsdel innan arbete utförs.
Obs! Får endast installeras av behörig elektriker.
- tr Uyarı: Tehlikeli gerilim!
Çalışma talimatlarına bakın.
Bu cihaz üzerinde çalışmadan önce elektriği kesin ve kilitleyin.
Dikkat! Yalnızca elektroteknik uzmanlığı sahip kişiler tarafından kurulabilir.
- zh 警告：高压危险！
请参见操作手册
操作本设备前请断开并锁定电源。
注意！安装仅限专业电工人员。



CAL/19 Pilot du ty acc.to UL 508

Rating code	Thermal Continuous Current	Voltage	Make/Break Current
A 600	10A	120V AC 240V AC 480V AC 600V AC	60 A / 6 A 30 A / 3 A 15 A / 1,5 A 12 A / 1,2 A
Q 300	2,5A	125V DC 250V DC	0.55 A 0.27 A



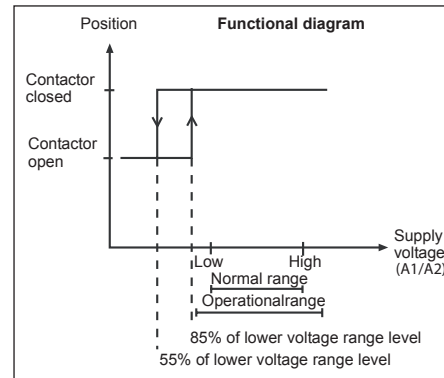


General

AF-contactors are fitted with an electronic interface. For a given coil, this allows the contactor to accept a very wide voltage range.

Code-11...-14

Operation is done, as with conventional contactors, by applying and removing supply voltage on A1 and A2. Closing 85% and opening at 55% of the lower nominal voltage limit, which is indicated in the functional diagram.

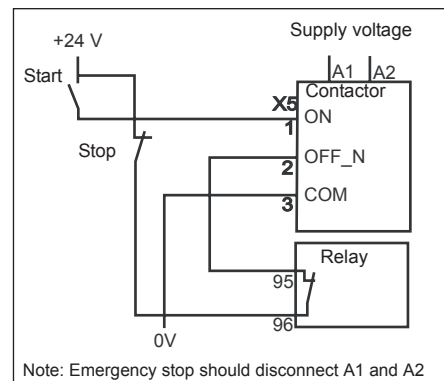


Code-31...-34 built-in PLC interface

Operation is controlled by separate logic control signals from for instance a PLC. Use of logic control requires a steady supply voltage on A1 and A2 within the rated voltage range, as described for code-11...-14. The function of the logic control signal will no longer be guaranteed when the supply voltage on A1 and A2 is removed.

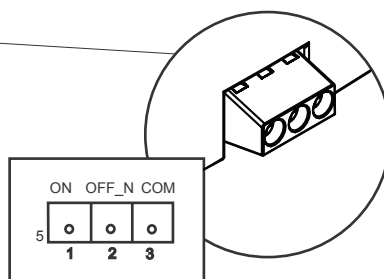
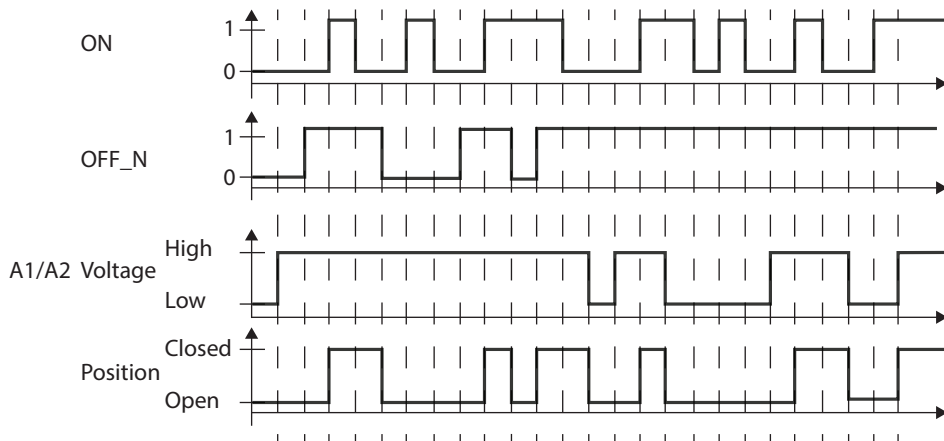
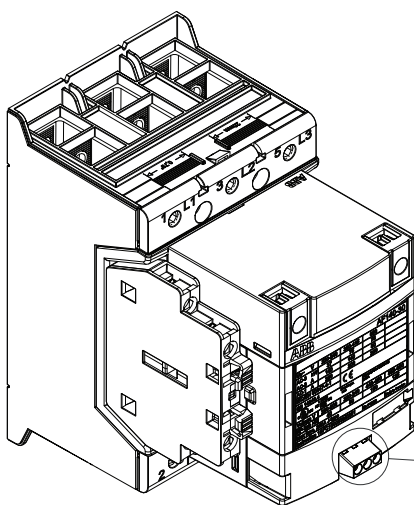
The logic control signals are operated with 24V d.c. There are two control signals (ON and OFF_N) and a common reference (COM). For the control signals, the function is guaranteed from 15V d.c. (6mA) to 33V d.c. (20mA).

The contactor is closed by a control signal ON and opened by removal of control signal from OFF_N. The functions are described in diagram below. "1" means 24V d.c. between the control signal and COM. "0" means no voltage between the control signal and COM. Minimum control signal pulse length for opening and closing is 10ms. To connect the PLC interface use cable dimension of max 1.5mm2.



Note: Emergency stop should disconnect A1 and A2

When used with switches the wiring can be done according to diagram above.



Notice. This product has been designed for environment A. Use of this product in environment B may cause unwanted electromagnetic disturbances in which case the user may be required to take adequate mitigation measures.

Hinweise. Dies ist ein Produkt für Umgebung A. In Haushaltsumgebung kann dieses Gerät unerwünschte Funkstörungen verursachen; in diesem Fall kann der Anwender verpflichtet sein, angemessene Maßnahmen durchzuführen.

Notice. Ce produit a été conçu pour environnement A. L'utilisation de ce produit dans environnement B peut causer des perturbations électromagnétiques non désirées qui, dans ce cas, peuvent obliger l'utilisateur à prendre des mesures d'atténuation appropriées.

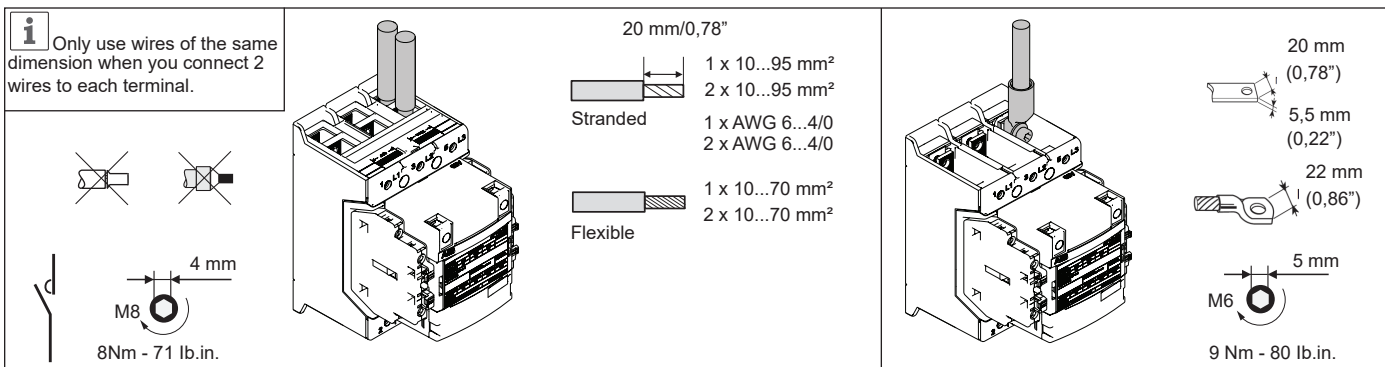
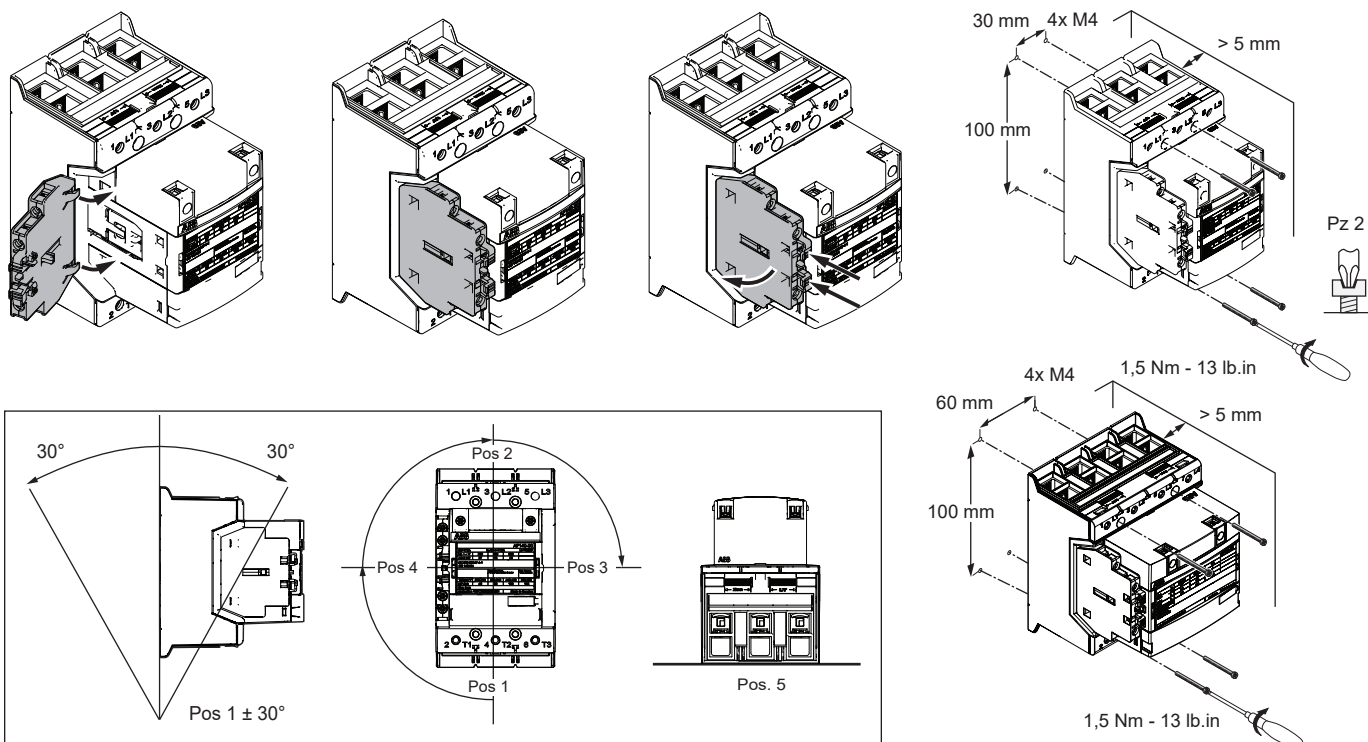
Obs. Den här produkten har konstruerats för miljöklass A. Användning av produkten i miljöklass B kan förorsaka oönskade elektromagnetiska störningar och i så fall krävs att användaren vidtar nödvändiga åtgärder.

Avvertenza. Questo prodotto è stato progettato per l'ambiente A. L'uso di questo prodotto nell'ambiente B può provocare disturbi elettromagnetici indesiderati, nel qual caso l'utilizzatore può dover prendere adeguate misure per loro attenuazione.

Nota. Este producto ha sido diseñado para ambientes A. El uso de este producto en ambientes B puede causar perturbaciones electromagnéticas no deseadas, en tal caso el usuario tendrá que tomar las medidas de mitigación adecuadas.

警告! 本产品适用于环境 A, 在环境 B 中使用本产品会产生有害电磁干扰, 在此情况下用户需采取适当防护措施.

Замечание. Устройство разработано для применения в средах категории A. Применение в средах категории B может привести к возникновению нежелательных электромагнитных помех. В этом случае могут потребоваться дополнительные меры защиты от помех.



		M 3,5 1 Nm -9 lb.in	ø 5,5	Pz 2	1 x 1 ... 4 mm ² 2 x 1 ... 4 mm ² 1 x AWG 18 ... 14 2 x AWG 18 ... 14	1 x 0,75 ... 2,5 mm ² 2 x 0,75 ... 2,5 mm ² 1 x AWG 18 ... 14 2 x AWG 18 ... 14	1 x 0,75 ... 2,5 mm ² 2 x 0,75 ... 2,5 mm ²	1 x 0,75 ... 2,5mm ² 2 x 0,75 ... 2,5mm ²	l > 3,5 mm L < 8 mm	9 mm

According to UL 60947-4-1 Use wire Cu 75°C only. Use built-in cable clamps or UL recognized compression lugs. Enclosure with min. dimension 24 by 20 by 10 inches should be used. Suitable for use on a circuit capable of delivering not more than the max. symmetrical amperes at the max. voltage shown in the table below.

Circuit Breaker A	T4*, XT4*		T4N250	T4S250	T4H250	T4L250	T4V250	XT4X150
Fuse A/Class	250/RK5	250/J						
Max Short Circuit Current at 208-240V (kA)	5	100	65	100	100	100	100	100
Max Short Circuit Current at 480V (kA)	10	100	25	35	65	100	100	100
Max Short Circuit Current at 600V (kA)	10	100	18	25	35	65	100	100

Circuit Breaker A			XT4N250	XT4S250	XT4H250	XT4L250	XT4V250	XT4X250
Fuse A/Class								
Max Short Circuit Current at 208-240V (kA)			65	100	100	100	100	100
Max Short Circuit Current at 480V (kA)			25	35	65	100	100	100
Max Short Circuit Current at 600V (kA)			18	22	25	50	65	65

Definite Purpose magnetic motor controller. Breaking all lines. Max 600V AC, 50/60 Hz:

TYPE	Herm. ref. comp, AC-8a		Ballast, AC-5a/ Resistance air heating	Elevator duty
	FLA	LRA		
AF(S)116	116	800	160	54
AF140	125	875	200	54
AF(S)146	160	1050	200	54



**SCATTERGOOD
& JOHNSON LTD**
ELECTRICAL ENGINEERING & FLUID CONTROL DISTRIBUTORS

Est.1899

At Scattergood & Johnson Ltd, we pride ourselves on being a technical distributor to specialist industries.

Working with a range of quality product manufacturers across a number of specialist markets, we are not your average 'box shifter' - we are your technical and supply chain partner.

We fully support every product we sell - for free! Our internal team and external sales engineers can answer any product or application question, no matter the complexity.

Backing up this technical ability is a range of 50,000+ products available from stock for nationwide next day delivery (same day if required!), or you can collect what you need from any of our trade counters around the UK.

Select your specialist interest below to learn more about how we can help.



Online, In Branch and On the Road - Scattergood & Johnson Ltd, there when you need us.

www.scatts.co.uk