

PCB terminal block - ZFKDS 1,5C-5,0-EX



1732111

<https://www.phoenixcontact.com/gb/products/1732111>

Please be informed that the data shown in this PDF document is generated from our Online Catalog. Please find the complete data in the user documentation. Our General Terms of Use for Downloads are valid.



PCB terminal block, nominal current: 16 A, nominal cross section: 1.5 mm², number of potentials: 1, number of rows: 1, number of positions per row: 1, product range: ZFKDS(A) 1,5C-EX, pitch: 5 mm, connection method: Spring-cage connection, mounting: Wave soldering, conductor/PCB connection direction: 45 °, color: green, Pin layout: Linear pinning, Solder pin [P]: 3.5 mm, number of solder pins per potential: 2, type of packaging: packed in cardboard. Single module for the custom grouping of different numbers of positions. An end terminal block is also needed to terminate the block (see accessories). Blocked items with different numbers of positions are also available.

Your advantages

- Defined contact force ensures that contact remains stable over the long term
- Clamping space opened by means of fixed screwdriver enables convenient conductor connection
- Angled connection enables multi-row arrangement on the PCB
- Satisfies the more stringent safety requirements of "Ex e" protection according to IEC 60079-7 for potentially explosive areas
- The latching on the side enables various numbers of positions to be combined
- Two solder pins reduce the mechanical strain on the soldering spots

Commercial Data

Item number	1732111
Packing unit	50 pc
Minimum order quantity	50 pc
Sales Key	AALMBD
Product Key	AALMBD
Catalog Page	Page 161 (C-1-2013)
GTIN	4046356280709
Weight per Piece (including packing)	1.074 g
Weight per Piece (excluding packing)	1.043 g
Customs tariff number	85369010
Country of origin	PL

PCB terminal block - ZFKDS 1,5C-5,0-EX



1732111

<https://www.phoenixcontact.com/gb/products/1732111>

Technical Data

Product properties

Type	PC terminal block can be aligned
Product line	COMBICON Terminals S
Product type	Printed circuit board terminal
Product family	ZFKDS(A) 1,5C-EX
Number of positions	1
Pitch	5 mm
Number of connections	1
Number of rows	1
Number of potentials	1
Pin layout	Linear pinning
Solder pins per potential	2

Electrical properties

Nominal current I_N	16 A
Nominal voltage U_N	176 V
Rated current / conductor cross section	16 A/1.5 mm ²
Degree of pollution	3

Ex data

Ex approval

Identification	0344□ II 2GD / Ex eb IIC Gb
EU-type examination certificate	PTB 06ATEX1073 U
IECEx certificate	IECEx PTB 06.0096.U

Connection data

Connection technology

Type	PC terminal block can be aligned
Nominal cross section	1.5 mm ²

Conductor connection

Connection method	Spring-cage connection
Conductor cross section solid	0.2 mm ² ... 2.5 mm ²
Conductor cross section flexible	0.2 mm ² ... 1.5 mm ²
Stripping length	7 mm

Mounting

Mounting type	Wave soldering
Pin layout	Linear pinning

Material specifications

PCB terminal block - ZFKDS 1,5C-5,0-EX



1732111

<https://www.phoenixcontact.com/gb/products/1732111>

Material data - contact

Note	WEEE/RoHS-compliant, free of whiskers according to IEC 60068-2-82/JEDEC JESD 201
Contact material	Cu alloy
Surface characteristics	hot-dip tin-plated

Material data - housing

Color (Housing)	green (6021)
Insulating material	PA
Insulating material group	I
CTI according to IEC 60112	600
Flammability rating according to UL 94	V0
Glow wire flammability index GWFI according to EN 60695-2-12	850
Glow wire ignition temperature GWIT according to EN 60695-2-13	775
Temperature for the ball pressure test according to EN 60695-10-2	125 °C

Material data – actuating element

Color ()	()
-----------	-----

Dimensions

Dimensional drawing	
Pitch	5 mm
Width [w]	5 mm
Height [h]	16.5 mm
Length [l]	14.1 mm
Installed height	13 mm
Solder pin length [P]	3.5 mm

PCB design

Pin spacing	5.08 mm
-------------	---------

Environmental and real-life conditions

Ambient conditions

Ambient temperature (operation)	-50 °C ... 110 °C
Ambient temperature (storage/transport)	-40 °C ... 70 °C
Relative humidity (storage/transport)	30 % ... 70 %
Ambient temperature (assembly)	-5 °C ... 100 °C

Packaging specifications

PCB terminal block - ZFKDS 1,5C-5,0-EX



1732111

<https://www.phoenixcontact.com/gb/products/1732111>

Type of packaging	packed in cardboard
-------------------	---------------------

PCB terminal block - ZFKDS 1,5C-5,0-EX

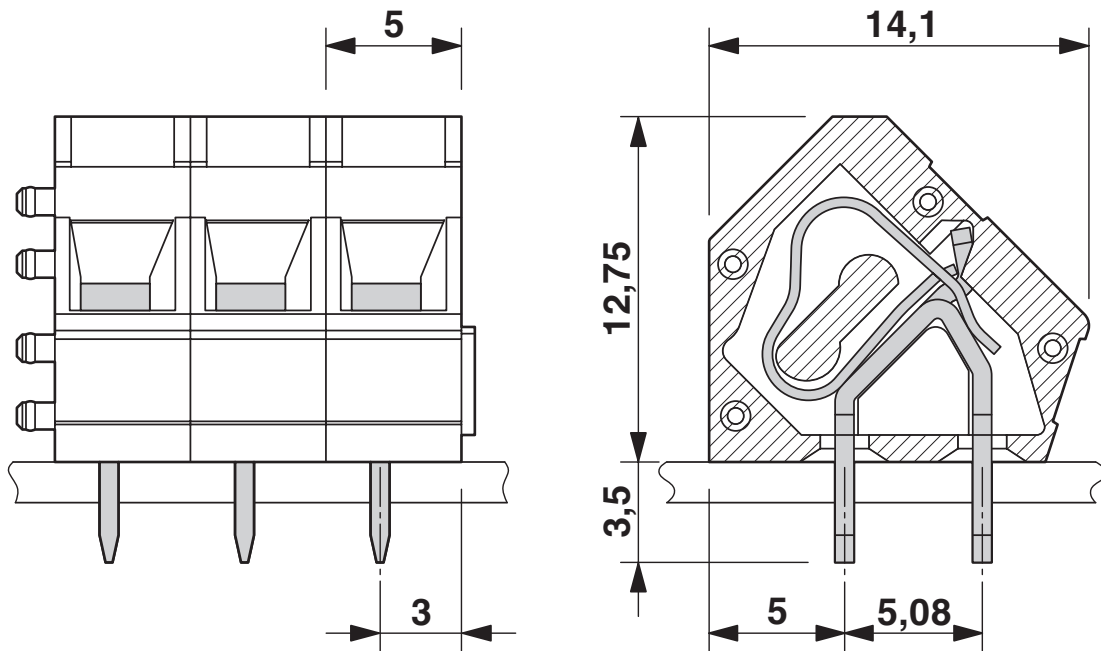


1732111

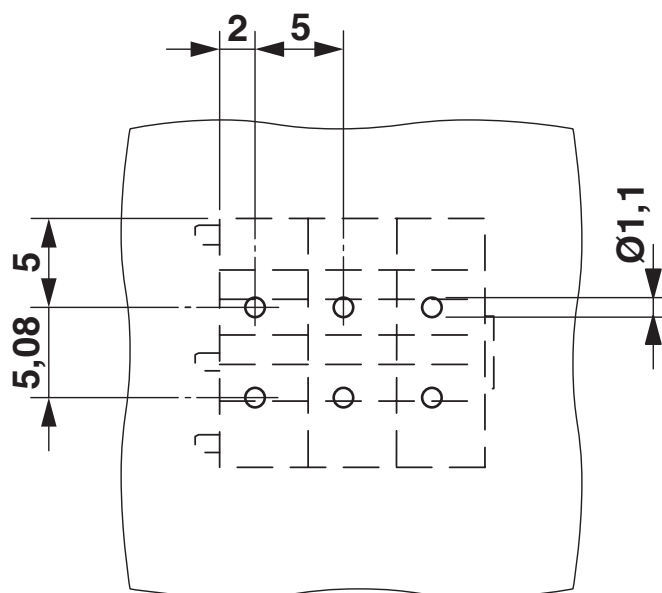
<https://www.phoenixcontact.com/gb/products/1732111>

Drawings

Dimensional drawing



Drilling plan/solder pad geometry



PCB terminal block - ZFKDS 1,5C-5,0-EX



1732111

<https://www.phoenixcontact.com/gb/products/1732111>

Approvals

**IECEX**

Approval ID: IECEX PTB 06.0096U

	Nominal Voltage U_N	Nominal Current I_N	Cross Section AWG	Cross Section mm^2
	176 V	16 A	-	0.2 - 2.5

**ATEX**

Approval ID: PTB 06 ATEX 1073 U

	Nominal Voltage U_N	Nominal Current I_N	Cross Section AWG	Cross Section mm^2
	176 V	16 A	-	0.2 - 2.5

**EAC Ex**

Approval ID: B.00065/19

PCB terminal block - ZFKDS 1,5C-5,0-EX



1732111

<https://www.phoenixcontact.com/gb/products/1732111>

Classifications

ECLASS

ECLASS-9.0	27440401
ECLASS-10.0.1	27440401
ECLASS-11.0	27460101

ETIM

ETIM 8.0	EC002643
----------	----------

UNSPSC

UNSPSC 21.0	39121400
-------------	----------

PCB terminal block - ZFKDS 1,5C-5,0-EX



1732111

<https://www.phoenixcontact.com/gb/products/1732111>

Environmental Product Compliance

China RoHS

Environmentally friendly use period: unlimited = EFUP-e

No hazardous substances above threshold values

Phoenix Contact 2023 © - all rights reserved
<https://www.phoenixcontact.com>

PHOENIX CONTACT Ltd
Halesfield 13, Telford
Shropshire, TF7 4PG
01952 681700
info@phoenixcontact.co.uk



**SCATTERGOOD
& JOHNSON LTD**
ELECTRICAL ENGINEERING & FLUID CONTROL DISTRIBUTORS

Est.1899

At Scattergood & Johnson Ltd, we pride ourselves on being a technical distributor to specialist industries.

Working with a range of quality product manufacturers across a number of specialist markets, we are not your average 'box shifter' - we are your technical and supply chain partner.

We fully support every product we sell - for free! Our internal team and external sales engineers can answer any product or application question, no matter the complexity.

Backing up this technical ability is a range of 50,000+ products available from stock for nationwide next day delivery (same day if required!), or you can collect what you need from any of our trade counters around the UK.

Select your specialist interest below to learn more about how we can help.



Online, In Branch and On the Road - Scattergood & Johnson Ltd, there when you need us.

www.scatts.co.uk