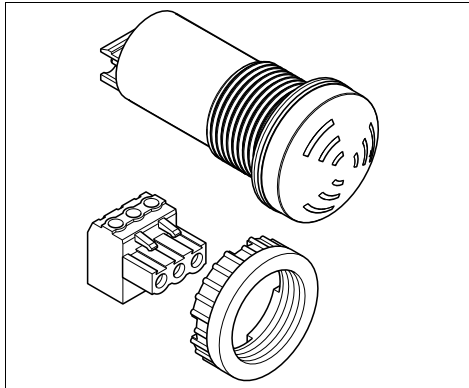
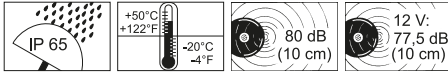


 **WERMA** 107

EN 60947-5-1



DANGER

- Ⓓ Anschluss **ausschließlich** durch ausgebildete Elektro-Fachkräfte.
- ⒼⒸ Electrical connection is to be made by trained electrical specialists **only**.
- Ⓕ Le branchement doit **uniquement** être effectué par des professionnels.
- Ⓘ Il collegamento deve essere eseguito **solo** da elettricisti specializzati.
- Ⓔ La conexión **sólo** debe ser realizada por electricistas debidamente formados.
- ⓅⓉ A ligação deve ser feita **exclusivamente** por profissional elétrico especializado.
- ⓃⓁ De aansluiting mag **enkel** gebeuren door erkende vakmensen.
- ⒸⓏ Připojení smí **provádět** pouze kvalifikovaný personál.
- ⓅⓁ Podłączenie **wyłącznie** przez specjalistów-elektryków.
- ⒻⒾ Liittäminen kuuluu **ainoastaan** koulutettujen sähköalan ammattilaisten tehtäviin.
- ⓇⓊⓈ Подключение проводится только специа-листом-электриком.
- ⓉⓇ Bağlantı **sadece** eğitimli elektrik teknisyenleri tarafından yapılmalıdır.
- ⒸⓃ 布线需由专业电工执行

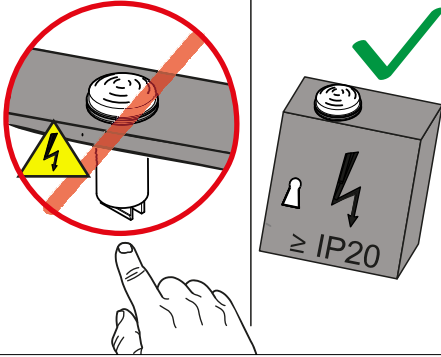
© Ⓓ

 **WERMA**[®]

WERMA Signaltechnik GmbH + Co. KG
D-78604 Rietheim-Weilheim
Telefon +49 (0)7424 / 9557-0
Telefax +49 (0)7424 / 9557-44
info@werma.com
www.werma.com



⚠ DANGER



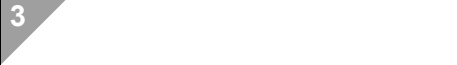
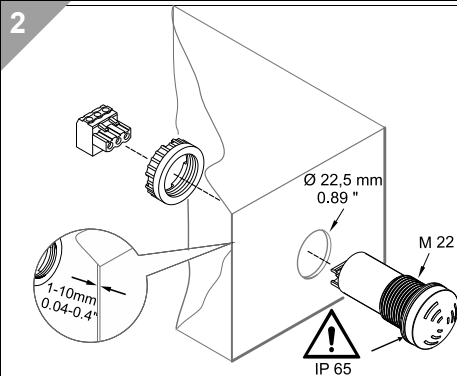
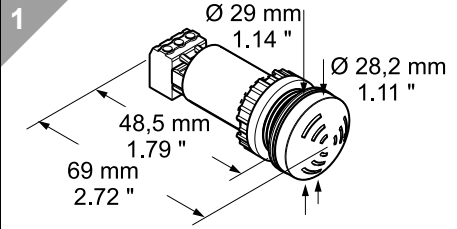
24 V: 80 dB (10 cm)
12 V: 77,5 dB (10 cm)
f = 2400 Hz

107 000 70 12/24 V \approx , 8 mA
107 000 60 115-230 V \approx , 50-60 Hz, 12 mA

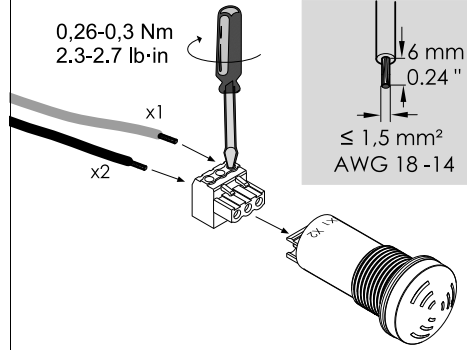


24 V: 80 dB (10 cm)
12 V: 77,5 dB (10 cm)
f = 2400 Hz, 1 Hz

107 010 70 12/24 V \approx , 8 mA
107 010 60 115-230 V \approx , 50-60 Hz, 12 mA



⚠ DANGER



15000002052_00
310.107.005





**SCATTERGOOD
& JOHNSON LTD**
ELECTRICAL ENGINEERING & FLUID CONTROL DISTRIBUTORS

Est.1899

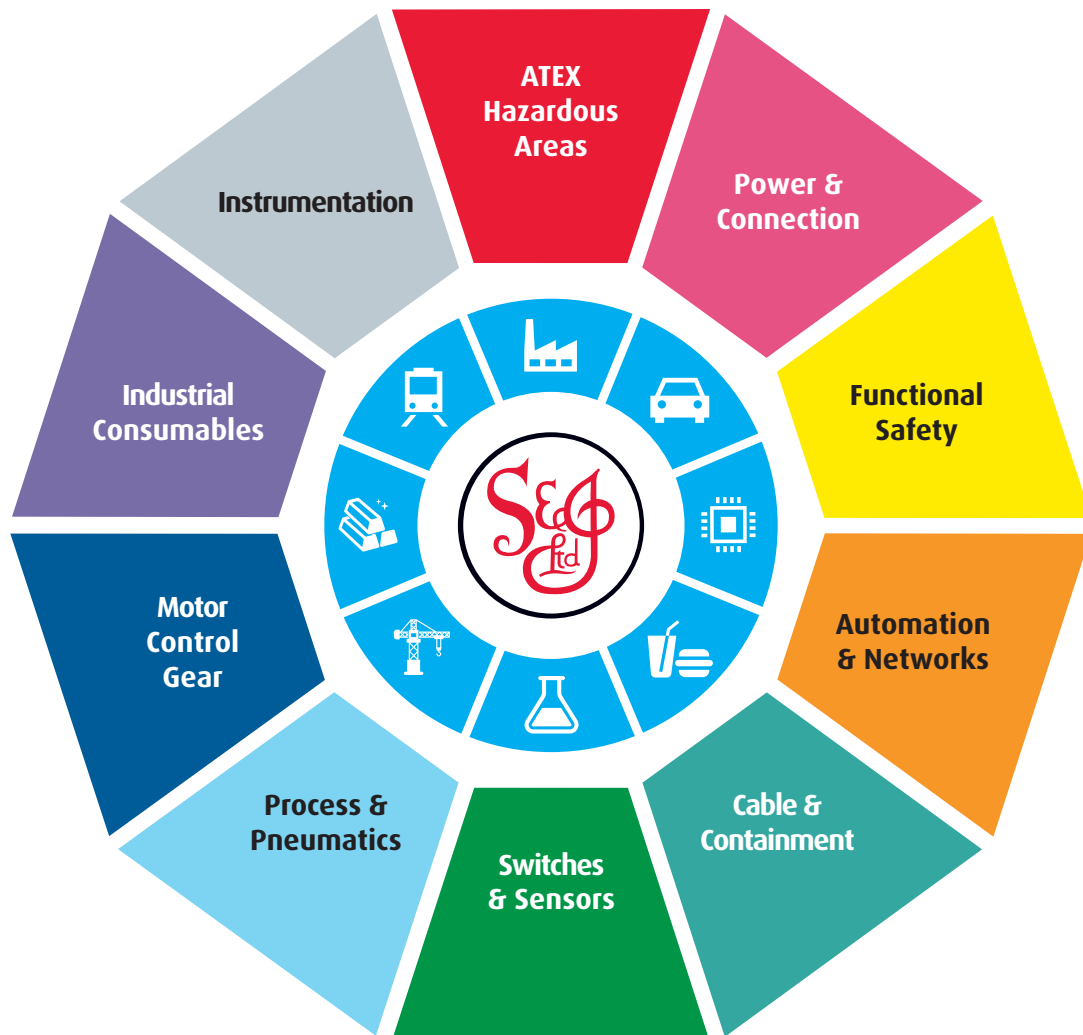
At Scattergood & Johnson Ltd, we pride ourselves on being a technical distributor to specialist industries.

Working with a range of quality product manufacturers across a number of specialist markets, we are not your average 'box shifter' - we are your technical and supply chain partner.

We fully support every product we sell - for free! Our internal team and external sales engineers can answer any product or application question, no matter the complexity.

Backing up this technical ability is a range of 50,000+ products available from stock for nationwide next day delivery (same day if required!), or you can collect what you need from any of our trade counters around the UK.

Select your specialist interest below to learn more about how we can help.



Online, In Branch and On the Road - Scattergood & Johnson Ltd, there when you need us.

www.scatts.co.uk